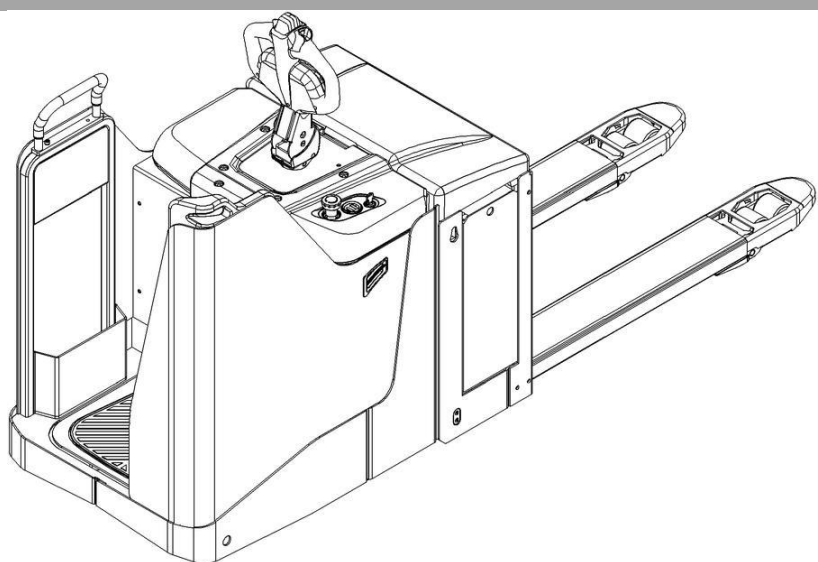
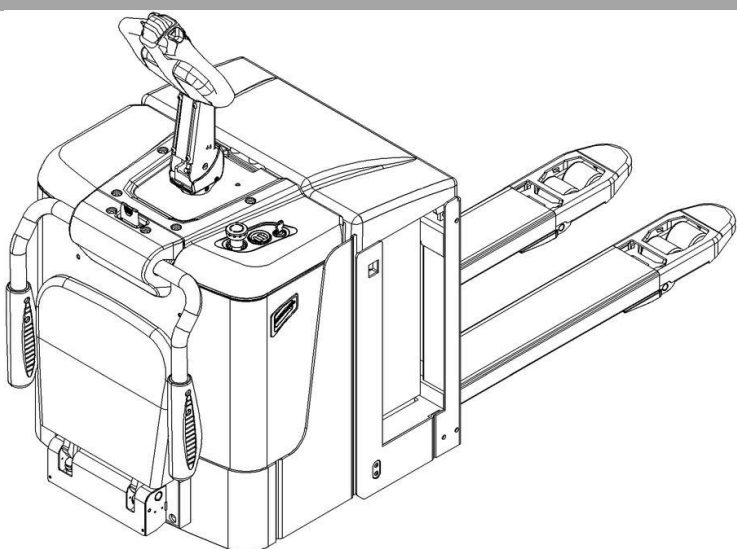


NOBLELIFT

SPAREPARTS LIST

Electric Pallet Truck PT 20/25P-C



Version 06/2020

PT 20/25F-BPT-002-EN

Catalogue

Fig. 1 Outer appearance(Foldable)	3
Fig. 2 Outer appearance(Fixed)	5
Fig. 3 Fork frame	7
Fig. 4 Load roller (EU)	9
Fig. 5 Steering wheel components.....	11
Fig. 6 Truck body assembly(Foldable)	13
Fig. 7 Truck body assembly(Fixed)	15
Fig. 8 Indicator components	17
Fig. 9 Handle assembly(Foldable)	19
Fig. 10 Handle assembly(Fixed)	21
Fig. 11 Tiller components.....	23
Fig. 12 Battery(180Ah)	25
Fig. 13 Battery(270Ah)	27
Fig. 14 Drive assembly	29
Fig. 15 1.6Kw Drive wheel.....	31
Fig. 16 Hydraulic system(2.0t).....	34
Fig. 17 Hydraulic system(2.5t).....	36
Fig. 18 Pump 0.8Kw	38
Fig. 19 Pump 2.2Kw	40
Fig. 20 Cylinder components.....	42
Fig. 21 Electrical steering assembly(Foldable)	43
Fig. 22 Electrical steering assembly(Fixed)	45
Fig. 23 Platform assembly.....	47
Fig. 24 Protective arm assembly.....	49
Fig. 25 Electrical parts (Foldable)	51
Fig. 26 Electrical parts (Fixed).....	53
Fig. 27 Electrical control components (Foldable).....	55
Fig. 28 Electrical control components (Fixed).....	57
Fig. 29 Main wiring harness (Foldable).....	59
Fig. 30 Main wiring harness (Fixed)	60
Fig. 31 Sticker(EU)	61
Fig. 32 Sticker(US)	63
Easy worn parts list	65

Fig. 1 Outer appearance(Foldable)

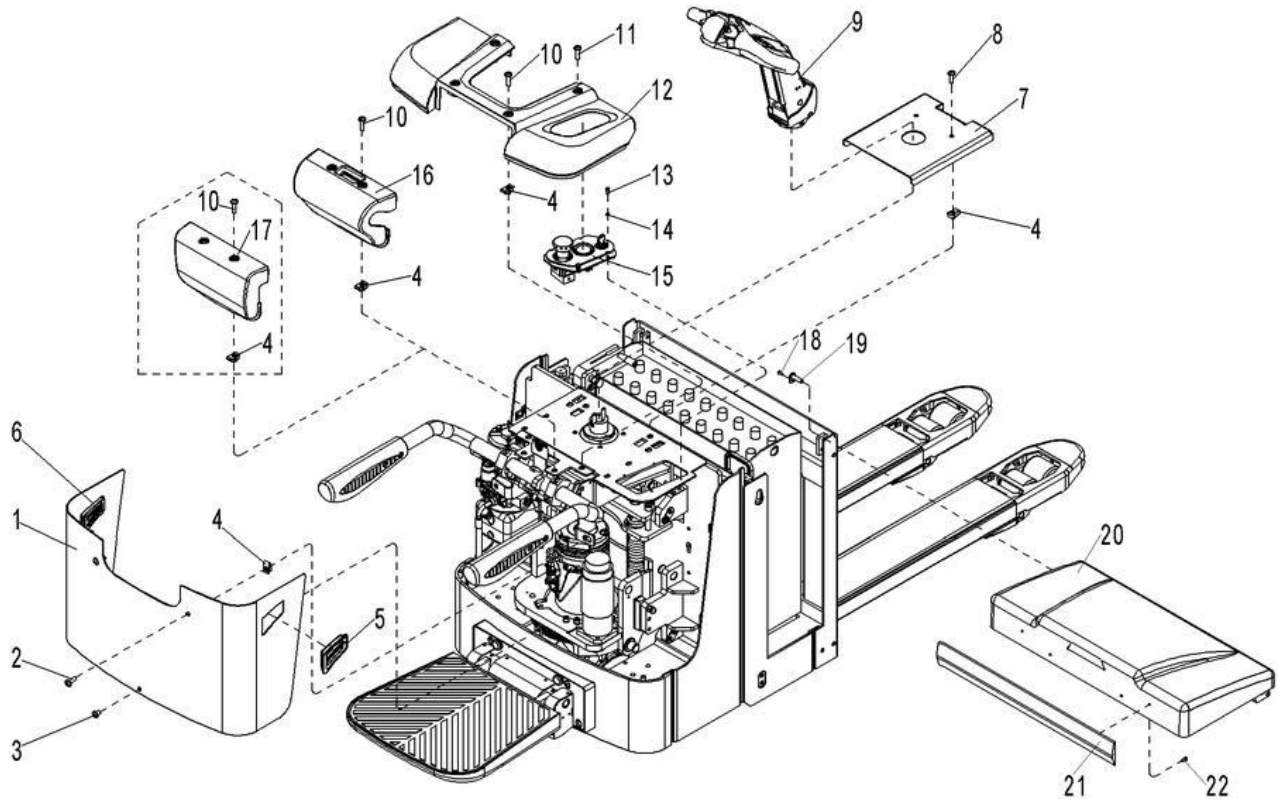


Fig. 1 Outer appearance(Foldable)

No.	New Art No.	Description	Qty.	Note
1	505921510005	Apron welding	1	
2	941100100004	Screw M10x30-8.8	2	
3	941100100005	Screw M10x15-8.8	1	
4	940400400003	Nut M10-t(3-5)	10	
5	505621510004	Vent hole components 2	1	
6	505621510003	Vent hole components 1	1	
7	509021510006	Protective cover (middle)	1	
8	941100100006	Screw M10x45-8.8	2	
9	505611001000	Tiller assembly REMAcanbus	1	
10	941100100003	Screw M10x35-8.8	4	
11	941100100002	Screw M10x55-8.8	2	
12	505921520032	Protective cover (top)	1	
13	910200200033	Screw GB70.1-M6x12-8.8	4	
14	910400500005	Spring washer GB93-6	4	
15	505610001000	Indicator components	1	
16	505621520025	Protective cover (with protective arm)	1	
17	505621520043	Protective cover (without protective arm)	1	
18	910200300012	Screw GB70.2-M5x12-8.8	2	
19	509038510005	Axle with plate Φ 10x36	2	
20	509021010000	Battery cover welding	1	
21	505921020008	Protective cover	1	
22	910200200032	Screw GB70.1-M6x10-8.8	4	

Fig. 2 Outer appearance(Fixed)

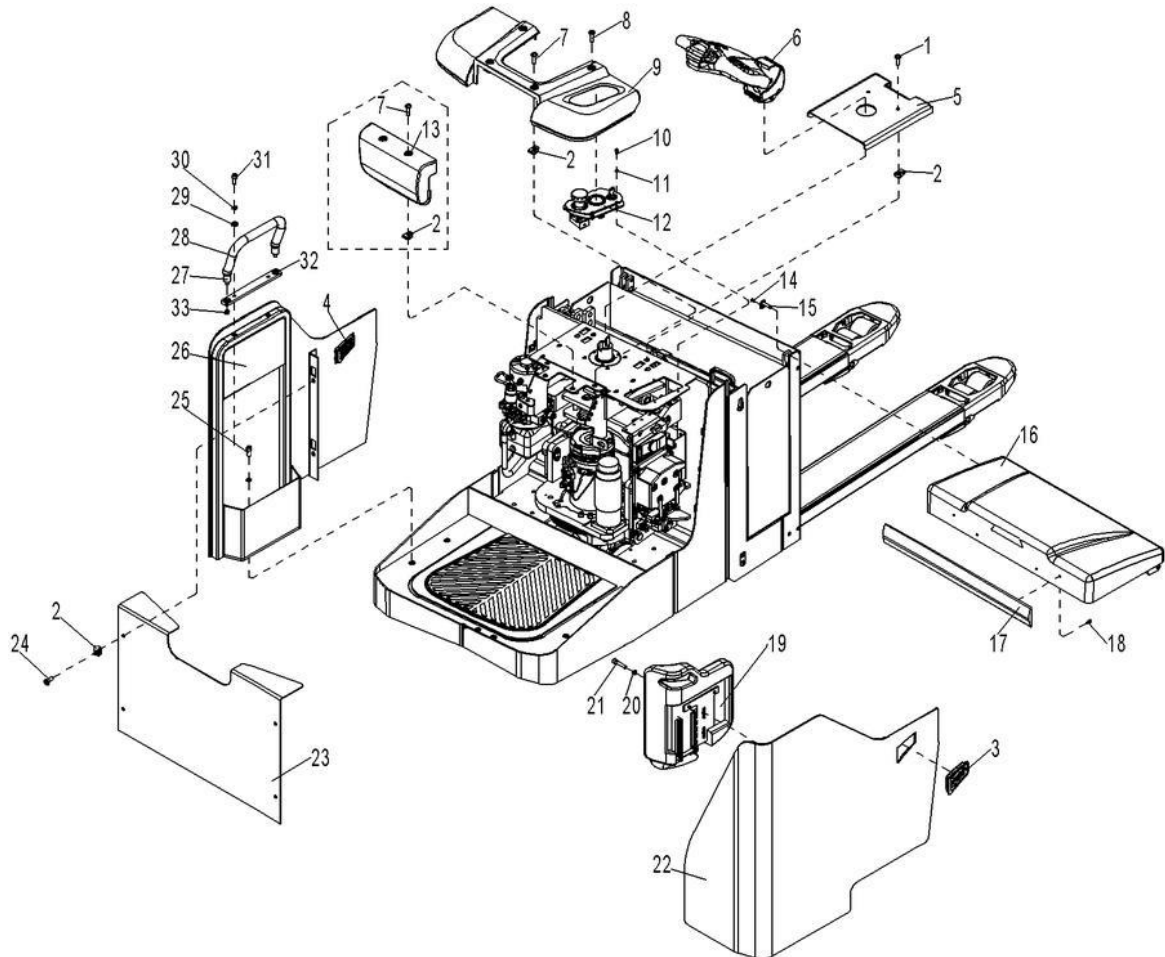


Fig. 2 Outer appearance(Fixed)

No.	New Art No.	Description	Qty.	Note
1	941100100006	Screw M10x45-8.8	2	
2	940400400003	Nut M10-t(3-5)	12	
3	505621510004	Vent hole components 2	1	
4	505621510003	Vent hole components 1	1	

5	509021510006	Protective cover (middle)	1	
6	565911001000	Tiller assembly	1	
7	941100100003	Screw M10x35-8.8	4	
8	941100100002	Screw M10x55-8.8	2	
9	505921520032	Protective cover (top)	1	
10	910200200033	Screw GB70.1-M6x12-8.8	4	
11	910400500005	Spring washer GB93-6	4	
12	505610001000	Indicator components	1	
13	505621520043	Protective cover (without protective arm)	1	
14	910200300012	Screw GB70.2-M5x12-8.8	2	
15	509038510005	Axle with plate Φ 10x36	2	
16	509021010000	Battery cover welding	1	
17	505921020008	Protective cover	1	
18	910200200032	Screw GB70.1-M6x10-8.8	4	
19	218021510004	protective backrest	1	
20	910400500006	Spring washer GB93-8	2	
21	910200200055	Screw GB70.1-M8x16-8.8	2	
22	509021510005	ring assembly 2	1	
23	505921520070	Apron (outside)	1	
24	910200200076	Screw GB70.1-M10x25-8.8	4	
25	910200200078	Screw GB70.1-M10x35-8.8	6	
26	509021510004	ring assembly 1	1	
27	509021510007	Handrail welding	1	
28	509021520060	Bushing	1	
29	910400100006	Washer GB97.1-8-200HV	2	
30	910400500006	Spring washer GB93-8	2	
31	910200200058	Screw GB70.1-M8x25-8.8	2	
32	509021520056	Mounting plate	1	
33	910300500004	Screw GB889.1-M8-10	2	

Fig. 3 Fork frame

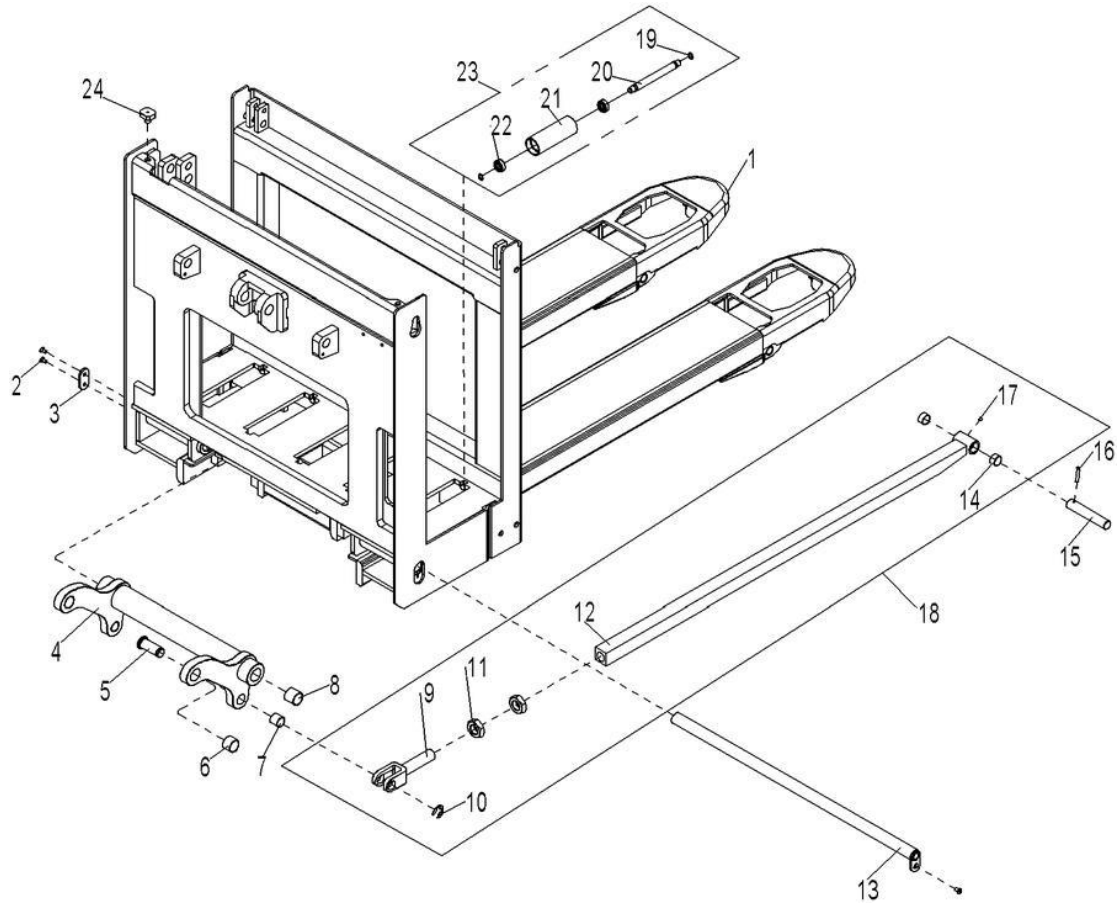


Fig. 3 Fork frame

No.	New Art No.	Description	Qty.	Note
1	509038510000	Chassis assembly (540x1150)	1	
	509038510001	Chassis assembly (685x1220)	1	
2	910200400016	Screw GB70.3-M6x12-8.8	3	
3	505638520031	Fixing plate	1	
4	505638510001	Torsion bar assembly(540)	1	
	505638510007	Torsion bar assembly(685)	1	
5	505638520034	Short axle Φ 20x51	2	
6	940500100027	Bushing Φ 25x Φ 28x20-SF-1	2	
7	940500100019	Bushing Φ 20x Φ 23x20-SF-1	2	
8	940500100097	Bushing Φ 24.6x Φ 29x25-SF-1	2	
9	505638520035	Push rod fork	2	
10	910401700005	Circlip GB896-15	2	
11	910300400010	Nut GB6173-M24x1.5-05	4	
12	509038510002	Push rod welding (1150)	2	
	509038510003	Push rod welding (1220)	2	
13	509038510004	Axle with plate Φ 25x779	1	
14	940500100012	Bushing Φ 20x Φ 22x12-SF-1	4	
15	505638520037	Push rod axle Φ 20x110	2	
16	910600500004	Elastic cylindrical pin ISO8748-5x35	2	
17	911200100001	Grease nipple JB7940.4-6	2	
18	509098510000	Push rod components (1150)	2	
	509098510001	Push rod components (1220)	2	
19	910401300006	Circlip GB894.1-15	10	
20	505638520119	Shaft Φ 15x196	5	
21	505638520120	Barrel Φ 40x Φ 35x163	5	
22	910700200017	Bearing GB276-6202-2RS	10	
23	505638510028	Roller	5	
24	505938520016	Suspension rubber	2	

Fig. 4 Load roller (EU)

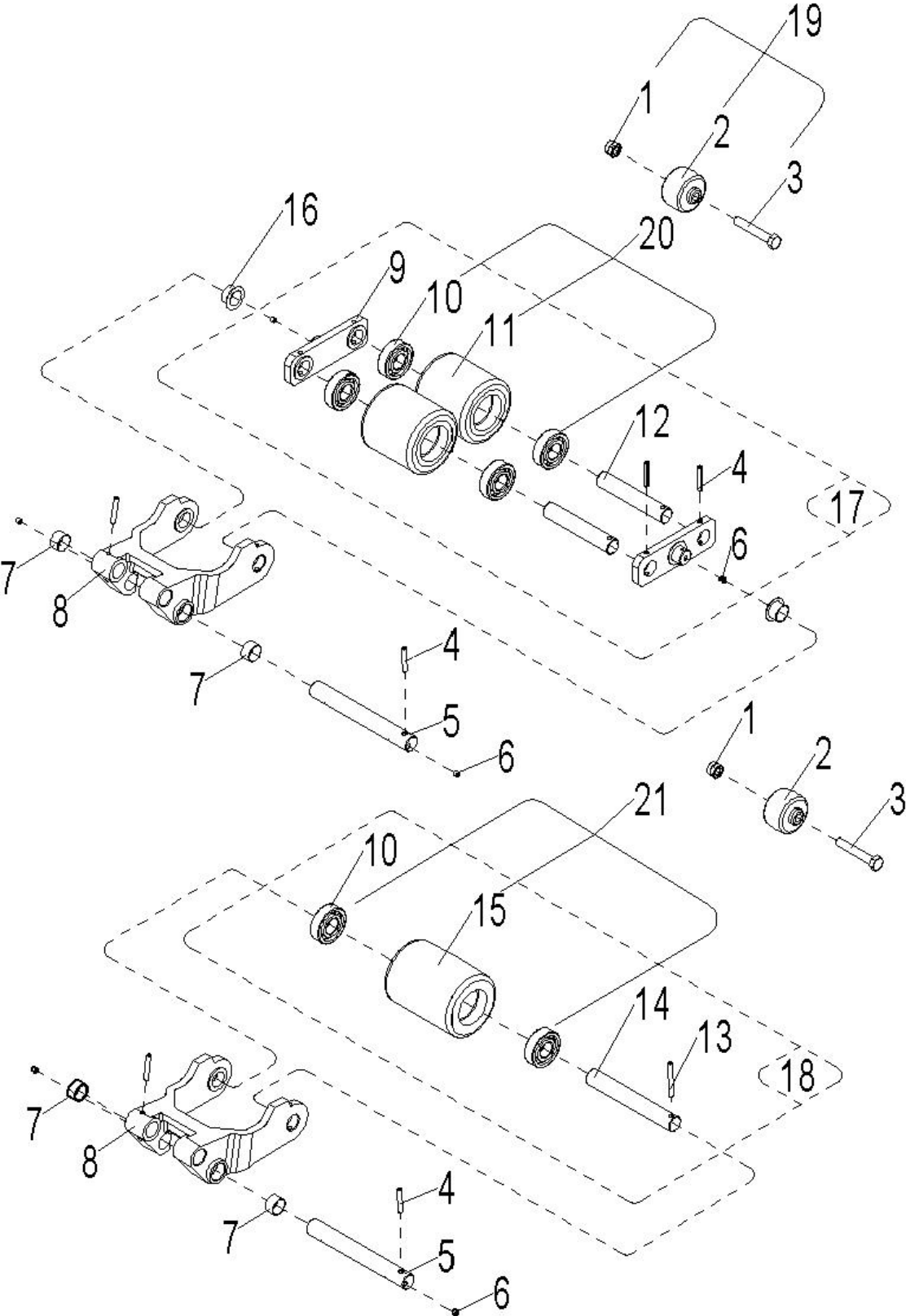


Fig. 4 Load roller (EU)

No.	New Art No.	Description	Qty.	Note
1	910300500005	Nut GB889.1-M10-10	2	
2	505638520039	Entry roller $\Phi 50 \times \Phi 10.5 \times 40$	2	
3	910100100035	Bolt GB5782-M10x60-8.8	2	
4	910600400027	Elastic cylindrical pin 5x35	8	
5	505638520038	Frame of roller axle $\Phi 20 \times 163$	2	
6	911200100001	Grease nipple JB7940.4-6	2	
7	940500100012	Bushing $\Phi 20 \times \Phi 22 \times 12$ -SF-1	4	
8	505638520036	Frame of roller	2	
9	505617020001	Linking plate	4	
10	910700200019	Bearing GB276-6204-2RS	8/4(double/single)	
11	940300300010	Roller $\Phi 84 \times 84$ (Steel core PU)	4(double)	
12	505617020000	Rotate axle $\Phi 20 \times 109$	4(double)	
13	910600400030	Elastic cylindrical pin 5x50	4(single)	
14	505617020002	Wheel axle $\Phi 20 \times 138$	2(single)	
15	940300300006	Roller $\Phi 82 \times 110$ (Steel core PU)	2(single)	
16	940500200003	Bushing (with shoulder) $\Phi 18 \times \Phi 20 \times 12$ -SF-1	2(double)	
17	505617001000	Load roller assembly $\Phi 84 \times 84$ (PU tandem)	2(double)	
18	505617001001	Load roller assembly $\Phi 82 \times 110$ (PU)	2(single)	
19	502398510003	Entry roller components	2	
20	505698510003	Wheel set components	4	
21	505698510004	Wheel set components	2	

Fig. 5 Steering wheel components

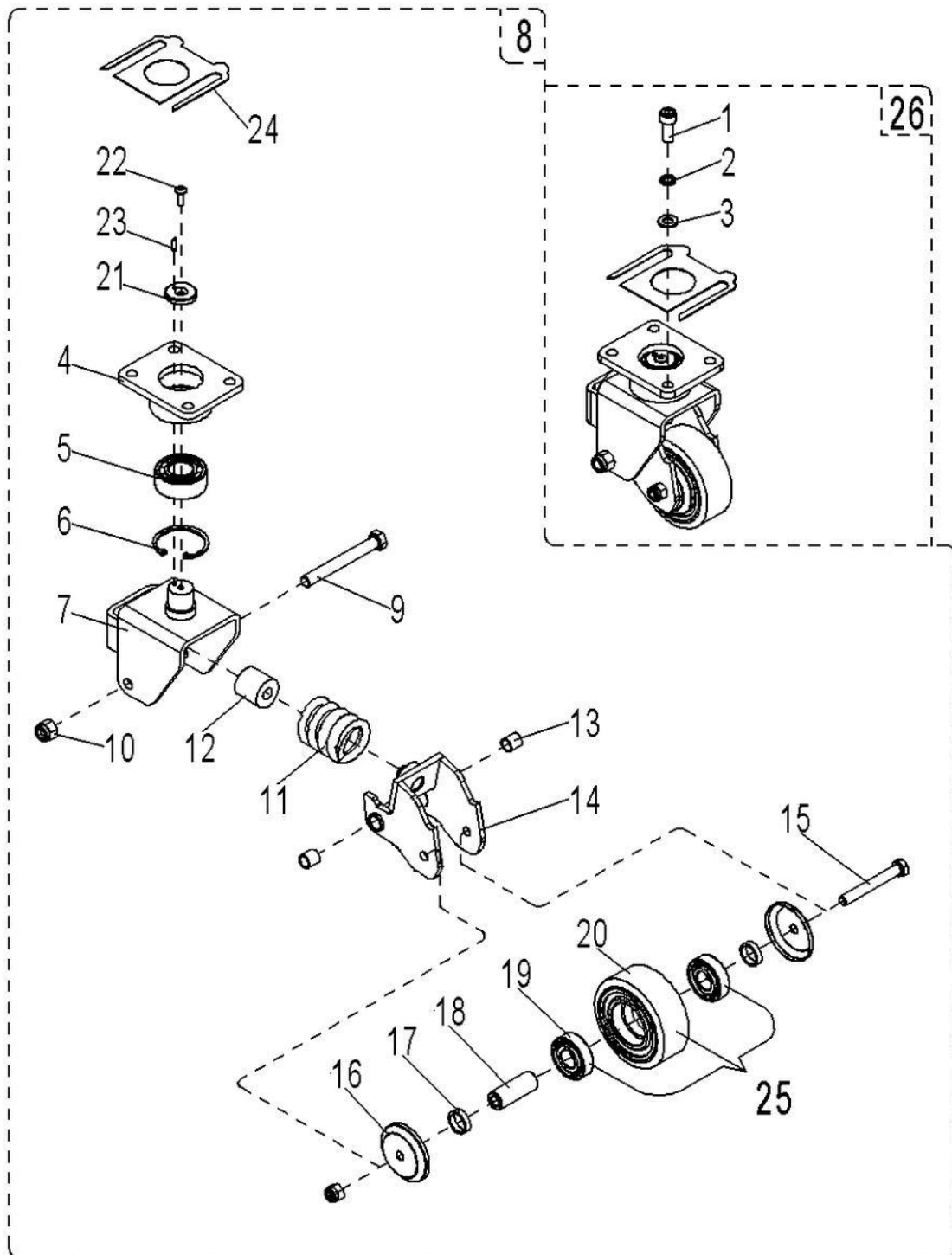


Fig. 5 Steering wheel components

No.	New Art No.	Description	Qty.	Note
1	910200200078	Screw GB70.1-M10x35-8.8	8	
2	910400500007	Spring washer GB93-10	8	
3	910400100007	Washer GB97.1-10-200HV	8	
4	509016510003	Linking plate	2	
5	910700500002	Bearing GB296-3205A-2RS	2	
6	910401400016	Circlip GB893.1-52	2	
7	509016510001	Wheel frame welding	2	
8	509016510000	Side roller assembly Φ 124x60(PU)	2	
9	910100100060	Bolt GB5782-M12x120-8.8	2	
10	910300500006	Nut GB889.1-M12-10	4	
11	940400500007	Spring Φ 43x Φ 9x62	2	
12	505616520000	PU spring	2	
13	940500100002	Bushing Φ 12x Φ 15x15-SF-1	4	
14	509016510002	Rotate arm	2	
15	910100100058	Bolt GB5782-M12x100-8.8	2	
16	505916520010	Dust cover Φ 70x Φ 55x10	4	
17	505616520012	Circlip Φ 25x Φ 20.5x6.5	4	
18	506216520008	Sleeve Φ 20x Φ 12x73	2	
19	910700200019	Bearing GB276-6204-2RS	4	
20	940300300019	Roller Φ 124x60(铁芯 PU)	2	
21	505616520007	Circlip Φ 32x Φ 7x5	2	
22	941100300001	Screw M6x14-8.8	2	
23	910600100004	Cylindrical pin GB119.2-4x14	2	
24	506216520000	Adjusting washer t=1	2	
25	532698510004	Wheel set components	2	
26	509098510002	Side roller assembly Φ 124x60(PU)	2	

Fig. 6 Truck body assembly(Foldable)

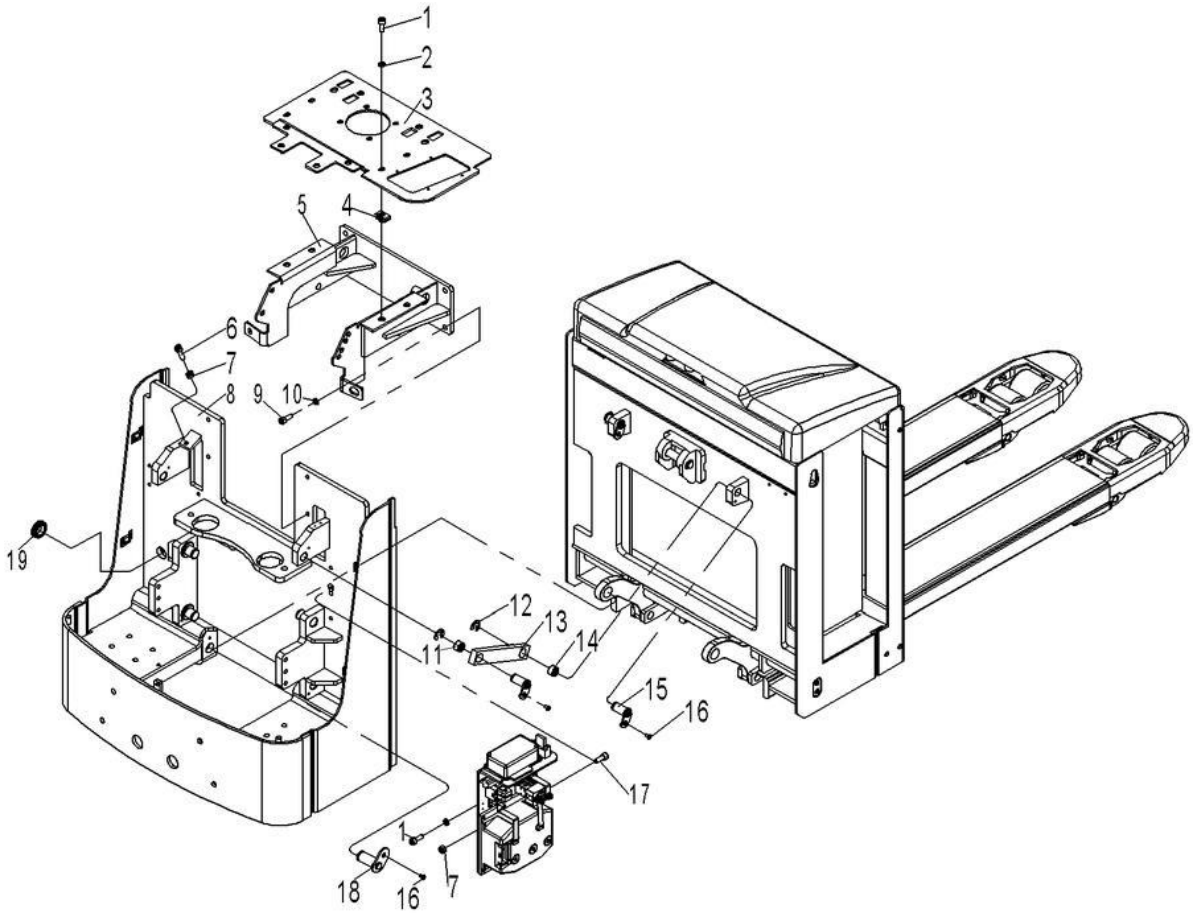


Fig. 6 Truck body assembly(Foldable)

No.	New Art No.	Description	Qty.	Note
1	910200200076	Screw GB70.1-M10x25-8.8	6	
2	910400500007	Spring washer GB93-10	6	
3	509021520039	Top plate	1	
4	940400400003	Nut M10-t(3-5)	4	
5	509021510002	Protective arm assembly board	1	
6	910200200078	Screw GB70.1-M10x35-8.8	1	
7	910300100007	Nut GB6170-M10-10	2	
8	509021510000	Truck body	1	
9	910200200097	Screw GB70.1-M12x25-8.8	4	
10	910400500008	Spring washer GB93-12	4	
11	940500200007	Bushing (with shoulder) $\Phi 20 \Phi$ x23x15-SF-1	2	
12	910401700005	Circlip GB896-15	4	
13	509021520040	Connecting rod	2	
14	940500100017	Bushing $\Phi 20 \times \Phi 23 \times 15$ -SF-1	2	
15	505921510003	Fixing axle $\Phi 20 \times 39$	4	
16	910200400016	Screw GB70.3-M6x12-8.8	4	
17	910200200077	Screw GB70.1-M10x30-8.8	1	
18	505921510002	Fixing axle $\Phi 25 \times 47$	2	
19	505621520036	Bushing	2	

Fig. 7 Truck body assembly(Fixed)

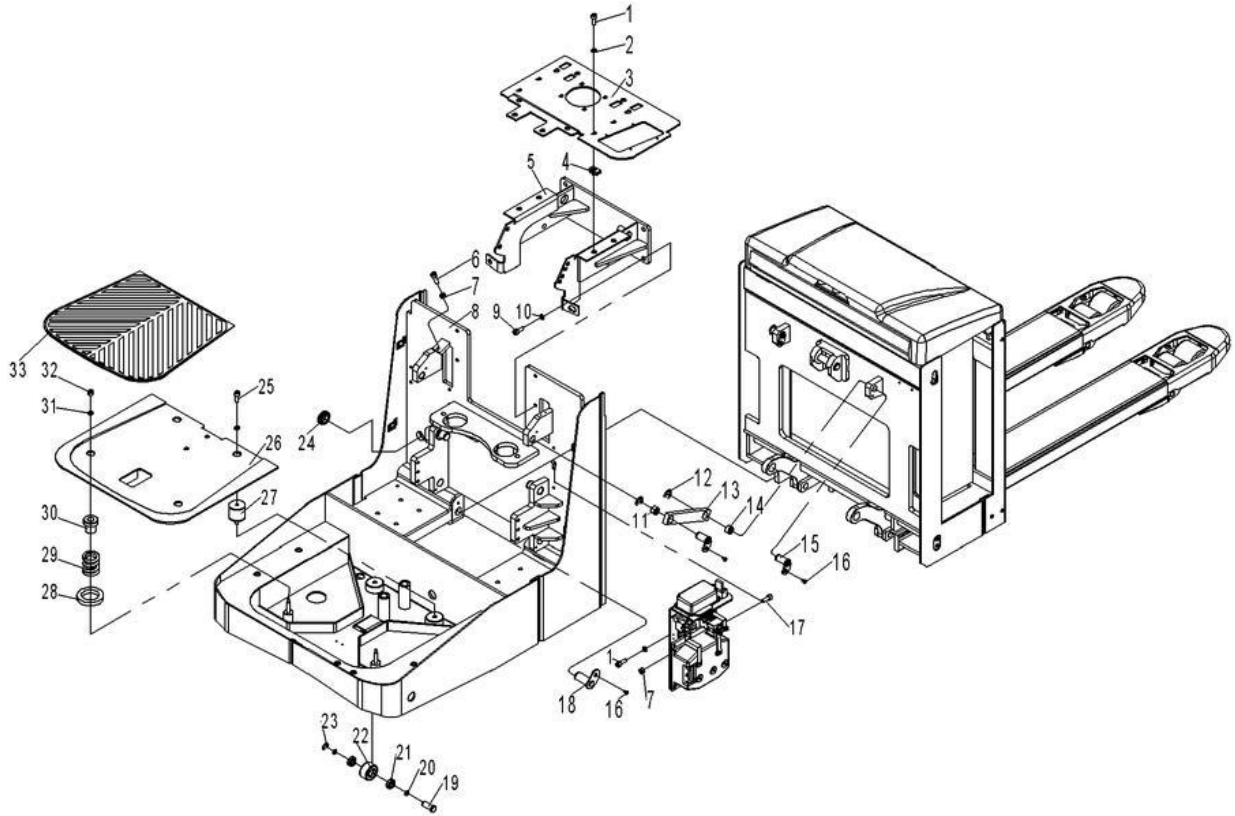


Fig. 7 Truck body assembly(Fixed)

No.	New Art No.	Description	Qty.	Note
1	910200200076	Screw GB70.1-M10x25-8.8	6	
2	910400500007	Spring washer GB93-10	6	
3	509021520039	Top board	1	
4	940400400003	Nut M10-t(3-5)	4	
5	509021510002	Protective arm assembly board	1	
6	910200200078	Screw GB70.1-M10x35-8.8	1	

7	910300100007	Nut GB6170-M10-10	2	
8	509021510000	Truck body assembly	1	
9	910200200097	Screw GB70.1-M12x25-8.8	4	
10	910400500008	Spring washer GB93-12	4	
11	940500200007	Bushing (with shoulder) $\Phi 20\Phi$ x23x15-SF-1	2	
12	910401700005	Circlip GB896-15	4	
13	509021520040	Connecting rod	2	
14	940500100017	Bushing $\Phi 20\Phi 23\text{x}15\text{-SF-1}$	2	
15	505921510003	Fixing axle $\Phi 20\text{x}39$	4	
16	910200400016	Screw GB70.3-M6x12-8.8	4	
17	910200200077	Screw GB70.1-M10x30-8.8	1	
18	505921510002	Fixing axle $\Phi 25\text{x}47$	2	
19	505921520077	Short axle $\Phi 17\text{x}67$	1	
20	910400100011	Washer GB97.1-18-200HV	2	
21	910700200018	Bearing GB276-6203-2RS	2	
22	505921520079	Supporting castor	1	
23	910401300008	Circlip GB894.1-17	1	
24	505621520036	Bushing	2	
25	910200200074	Screw GB70.1-M10x16-8.8	2	
26	509021510003	Platform welding	1	
27	566518020088	Anti-vibration components $\Phi 50\text{x}45$	2	
28	509021520047	Washer $\Phi 50\text{x}\Phi 30\text{x}3$	2	
29	940400500008	Compression spring $\Phi 38\text{x}\Phi 5\text{x}91.5$	2	
30	565921520062	Damping pad	2	
31	910400200002	washer GB96.1-6-200HV	2	
32	910300500003	Nut GB889.1-M6-10	2	
33	505618020018	Rubber pad	1	

Fig. 8 Indicator components

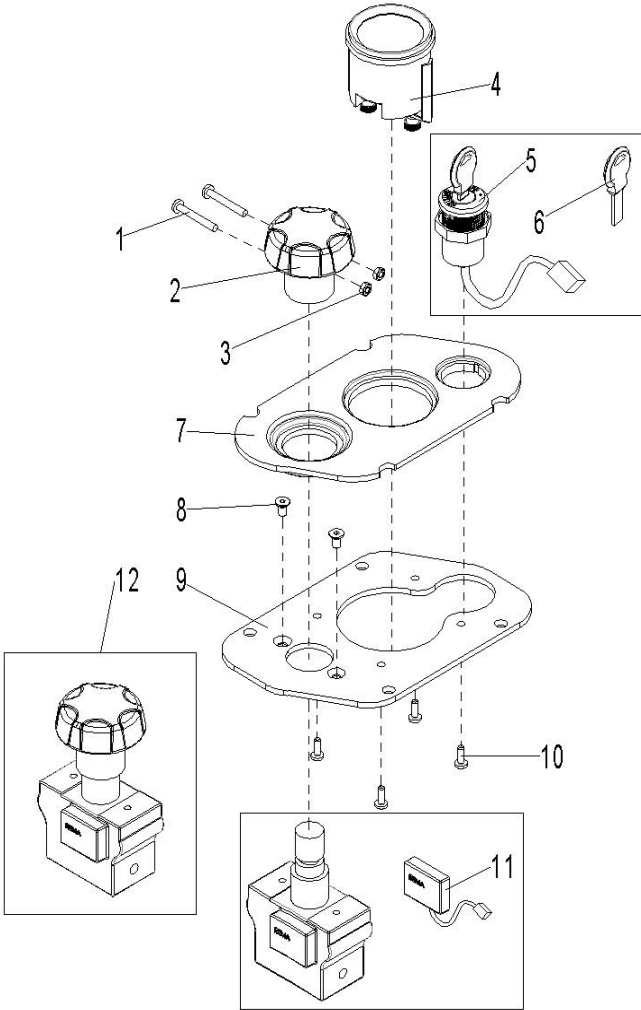


Fig. 8 Indicator components

No.	New Art No.	Description	Qty.	Note
1	910200500016	Screw GB818-M3x25-4.8	2	
2	505698520029	Emergency button	1	
3	910300100002	Nut GB6170-M3-10	2	
4	921100100001	Indicator 52DS803A-24V	1	
5	505634010000	Key switch LKS-101A	1	
6	505698520031	Key	1	
7	505610020000	Panel	1	
8	910200400010	Screw GB70.3-M5x10-8.8	2	
9	505610020001	Fixing plate (Indicator)	1	
10	910201300001	Screw GB6560-M4x12-A	4	
11	505698520030	Proximity switch	1	
12	920200100001	Emergency button assembly ZDK32-350	1	

Fig. 9 Handle assembly(Foldable)

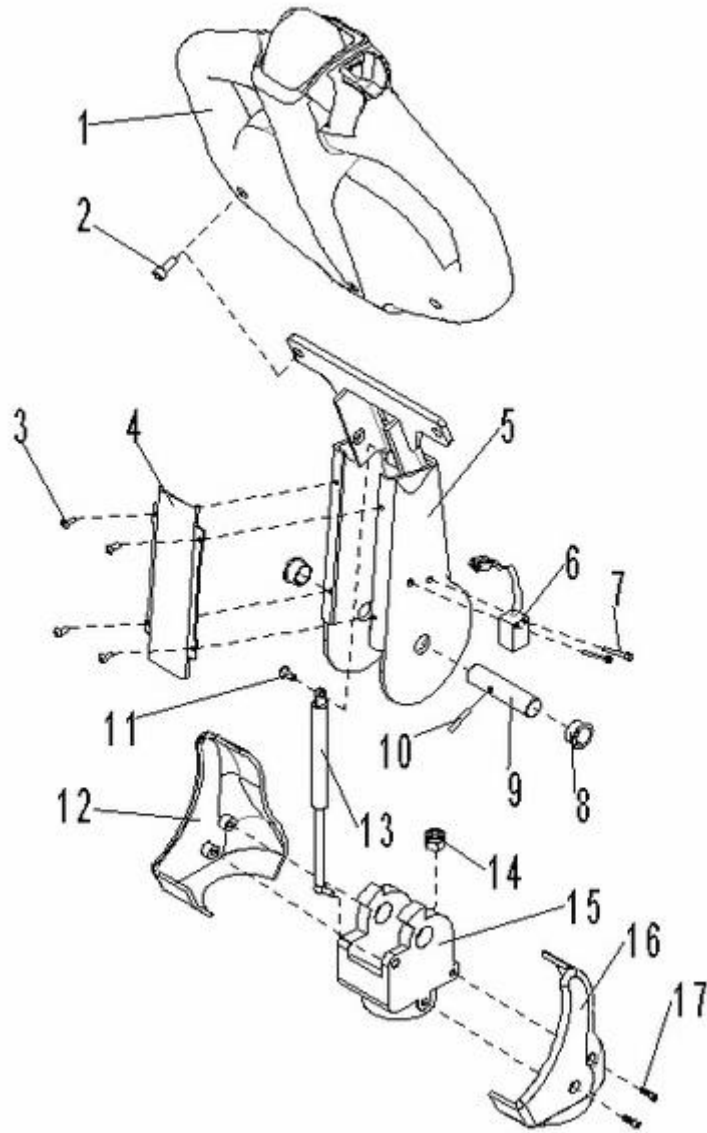


Fig. 9 Handle assembly(Foldable)

No.	New Art No.	Description	Qty.	Note
1	922100100001	Tiller head	1	
2	910200200058	Screw	2	
3	910200300005	Screw GB70.2-M4x8-8.8	4	
4	505611020006	Cap	1	
5	505611010000	Tiller arm welding REMAcanbus	1	
6	505633510000	Proximity switch NBN5-F7-E2(370mm)	1	
7	910200500015	Screw GB818-M3x20-4.8	2	
8	940500200002	Bushing (with shoulder) Φ 17x Φ 19x11-SF-1	2	
9	505611020008	Rotate axle Φ 17x71	1	
10	910600400013	Elastic cylindrical pin 4x24	1	
11	910200200057	Screw GB70.1-M8x20-8.8	1	
12	505611020010	Protective cover 一(Tiller)	1	
13	940400100003	Air pring 450N(D209)	1	
14	910300500005	Nut GB889.1-M10-10	2	
15	505611020009	Tiller base	1	
16	505611020011	Protective cover 二(Tiller)	1	
17	910200300016	Screw GB70.2-M6x10-8.8	4	

Fig. 10 Handle assembly(Fixed)

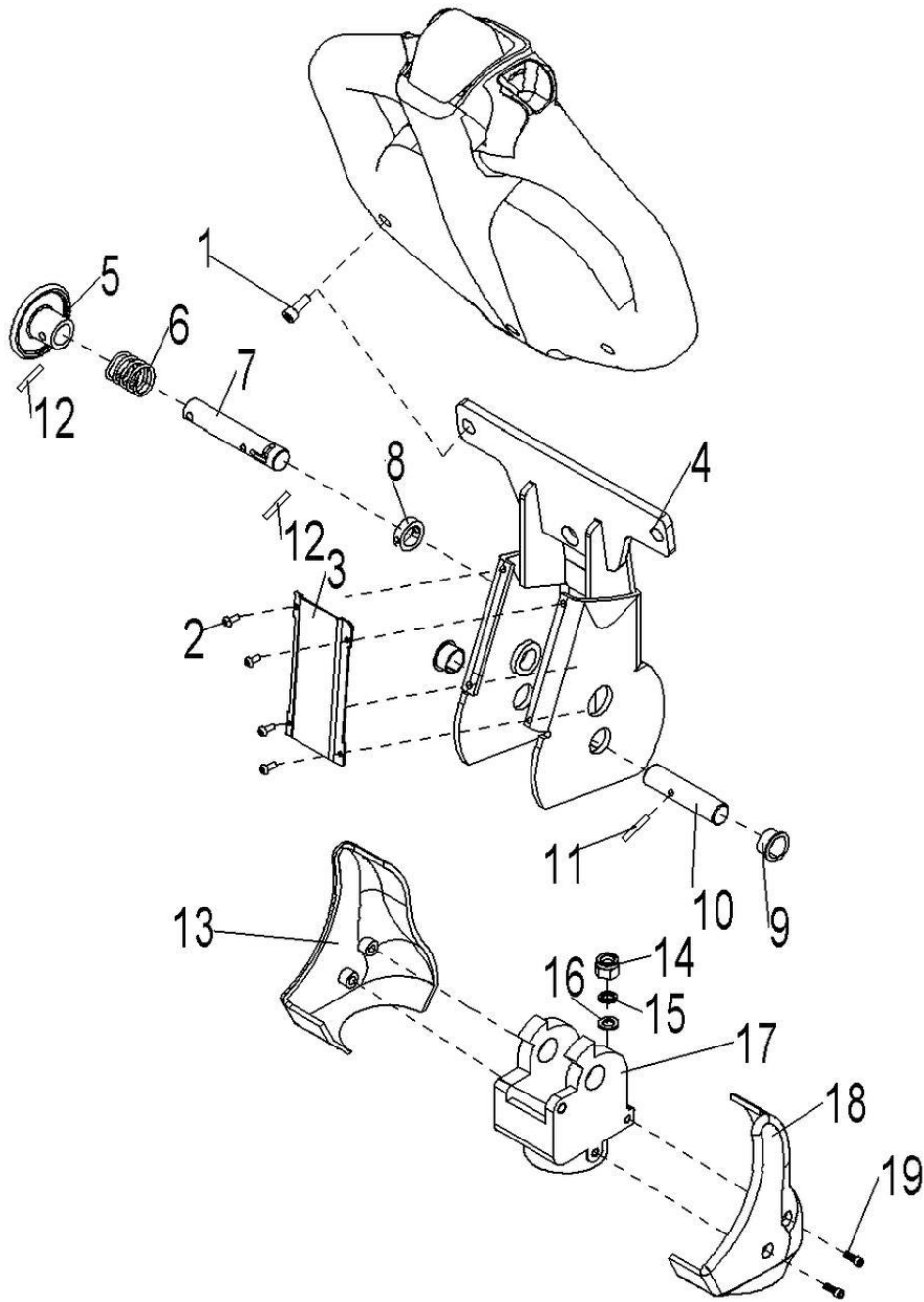


Fig. 10 Handle assembly(Fixed)

No.	New Art No.	Description	Qty.	Note
1	922100100001	Tiller head	1	
2	910200200058	Screw GB70.1-M8x25-8.8	2	
3	910200300005	Screw GB70.2-M4x8-8.8	4	
4	565911020000	Cap	1	
5	565911010000	Tiller arm welding	1	
6	565911020001	Hand whee	1	
7	940400500002	Compression spring (ϕ 2 长 32.5)	1	
8	565911020003	Spacer	1	
9	565911020002	Bushing (with shoulder) Φ 17x Φ 19x11-SF-1	1	
10	940500200004	Shaft	2	
11	565911020005	Rotate axle	1	
12	910600400015	Elastic cylindrical pin 4x30	1	
13	910600400022	Elastic cylindrical pin 5x20	2	
14	505611020010	Protective cover 一(Tiller)	1	
15	910300100007	Nut GB6170-M10-10	2	
16	910400500007	Spring washer GB93-10	2	
17	910400100007	Washer GB97.1-10-200HV	2	
18	565911020002	Tiller base	1	
19	505611020011	Protective cover 二(Tiller)	1	
20	910200300016	Screw GB70.2-M6x10-8.8	4	

Fig. 11 Tiller components

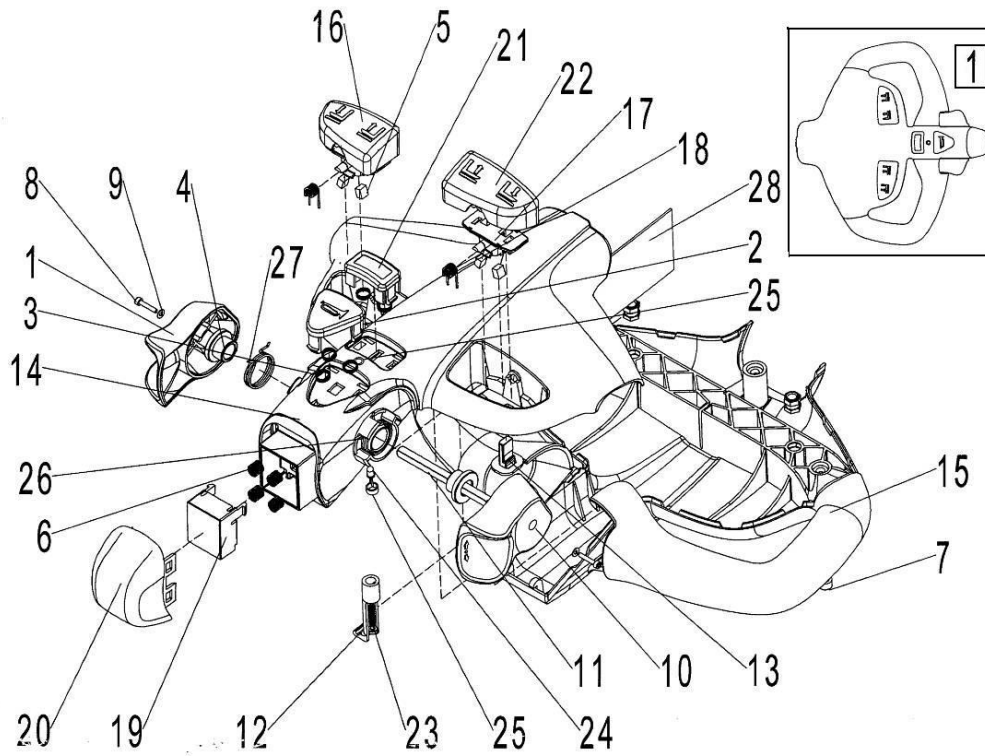


Fig. 11 Tiller components

No.	New Art No.	Description	Qty.	Note
1	505698520001	Left driving knob	1	
2	505698520002	Horn	1	
3	505698520003	Horn spring	5	
4	505698520004	Sleeve	2	
5	505698520005	Magnet	4	
6	505698520006	Spring	4	
7	505698520007	Screw	3	M6X10
8	505698520008	Screw	2	M3X16
9	505698520009	Washer	2	3
10	505698520010	Right driving knob	1	
11	505698520011	Axle	1	
12	505698520012	PCB clamp	1	
13	505698520013	Sensor	2	
14	505698520014	Tiller upper part	1	
15	505698520015	Tiller bottom part	1	
16	505698520016	Left button	1	
17	505698520017	Magnet fixing base	2	
18	505698520018	Torsional spring	2	
19	505698520019	Button base	1	
20	505698520020	Button cap	1	
21	505698520021	Outer cap	1	
22	505698520022	Right button	1	
23	505698520023	Screw	1	ST4.2X25
24	505698520024	LED bi-color light	1	
25	505698520025	LED bi-color light base	1	
26	505698520026	Torsional spring	1	
27	505698520027	Torsional spring	1	
28	505698520028	PCB	1	

Fig. 12 Battery(180Ah)

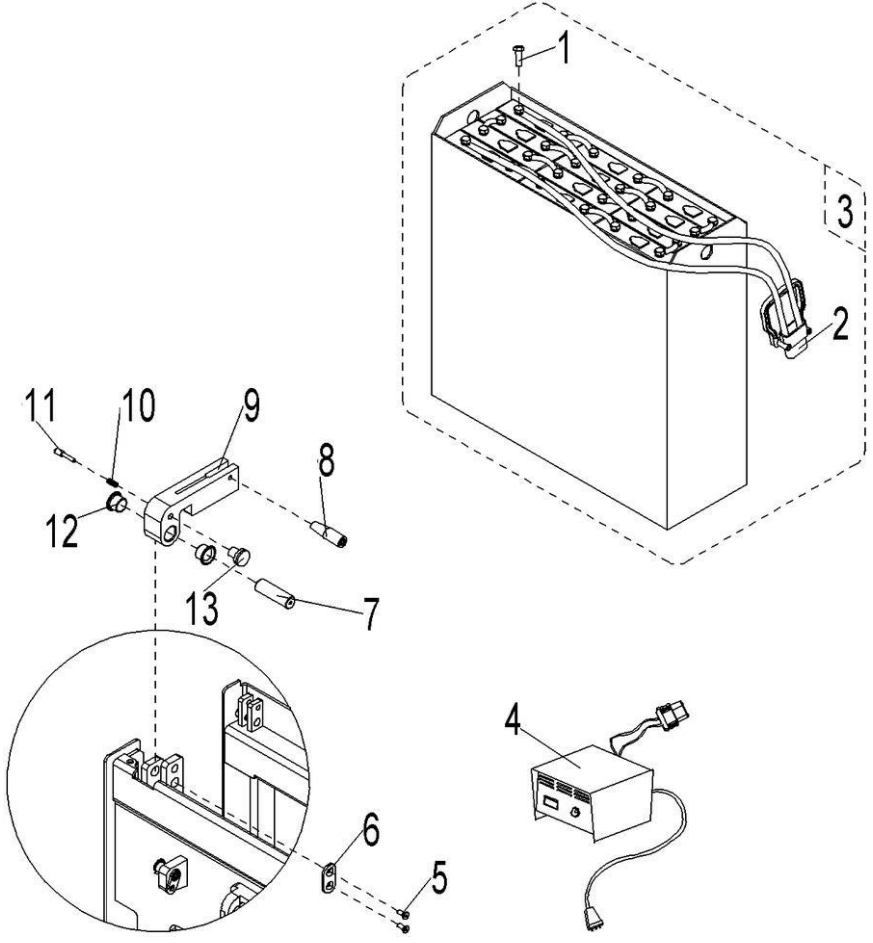


Fig. 12 Battery(180Ah)

No.	New Art No.	Description	Qty.	Note
1	505698520000	Screw M10X22	24	
2	509098510003	Connector	1	
3	505637010006	Battery 24V-2PZB180	1	
4	921000200344	Charger NL24V20A(Asia Chinese)	1	
	921000200345	Charger NL24V20A(Asia English)	1	
	921000200346	Charger NL24V20A(EU)	1	
	921000200347	Charger NL24V20A(AUS)	1	
	921000200348	Charger NL24V20A(ENG)	1	
	921000200349	Charger NL24V20A(US)	1	
5	910200400016	Screw GB70.3-M6x12-8.8	2	
6	505638520031	Fixing plate	1	
7	506938520000	axle $\Phi 20 \times 66$	1	
8	911000400001	Lever JB7270.5-M8x63	1	
9	506738520040	Limit block(Battery)	1	
10	940400500001	Spring $\Phi 6 \times \Phi 0.7 \times 17$	1	
11	505638520122	Screw M5x25	1	
12	940500200008	Bushing (with shoulder) $\Phi 20 \times \Phi 23 \times 16.5$ -SF-1	2	
13	505638520123	Holder	1	

Fig. 13 Battery(270Ah)

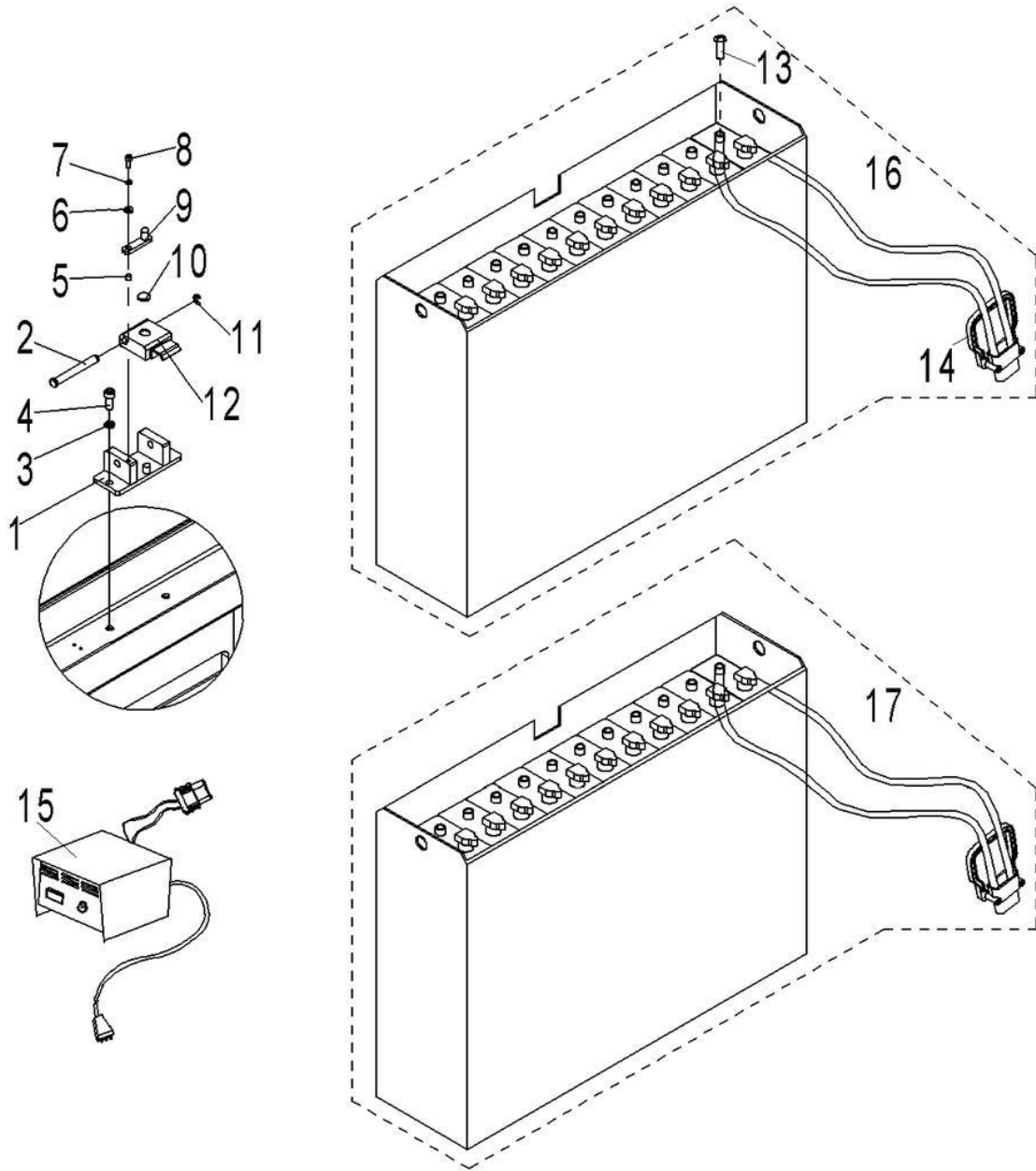


Fig. 13 Battery(270Ah)

No.	New Art No.	Description	Qty.	Note
1	505721510007	Battery holder	1	
2	505721520051	Limit shaft	1	
3	910400500007	Spring washer	2	
4	910200200076	Screw	2	
5	505721520053	Bearing bush	1	
6	505721520052	Washer	1	
7	910400500005	Spring washer 6	1	
8	910200200035	Screw	1	
9	505721510008	Battery baffle	1	
10	940600100001	Magnetic steel	1	
11	910401700003	Split washer 9	1	
12	505721510009	Limit block	1	
13	505698520000	Screw M10X22	24	
14	505798510015	Connector	1	
15	921000200183	Charger SN24V35A(Asia Chinese)	1	
	921000200184	Charger SN24V35A(Asia English)	1	
	921000200185	Charger SN24V35A(EU)	1	
	921000200186	Charger SN24V35A(ENG)	1	
	921000200187	Charger SN24V35A(AUS)	1	
	921000200188	Charger SN24V35A(US)	1	
16	505737010004	Battery 270Ah (螺栓式)	1	
17	505737010003	Battery 270Ah (焊接式)	1	

Fig. 14 Drive assembly

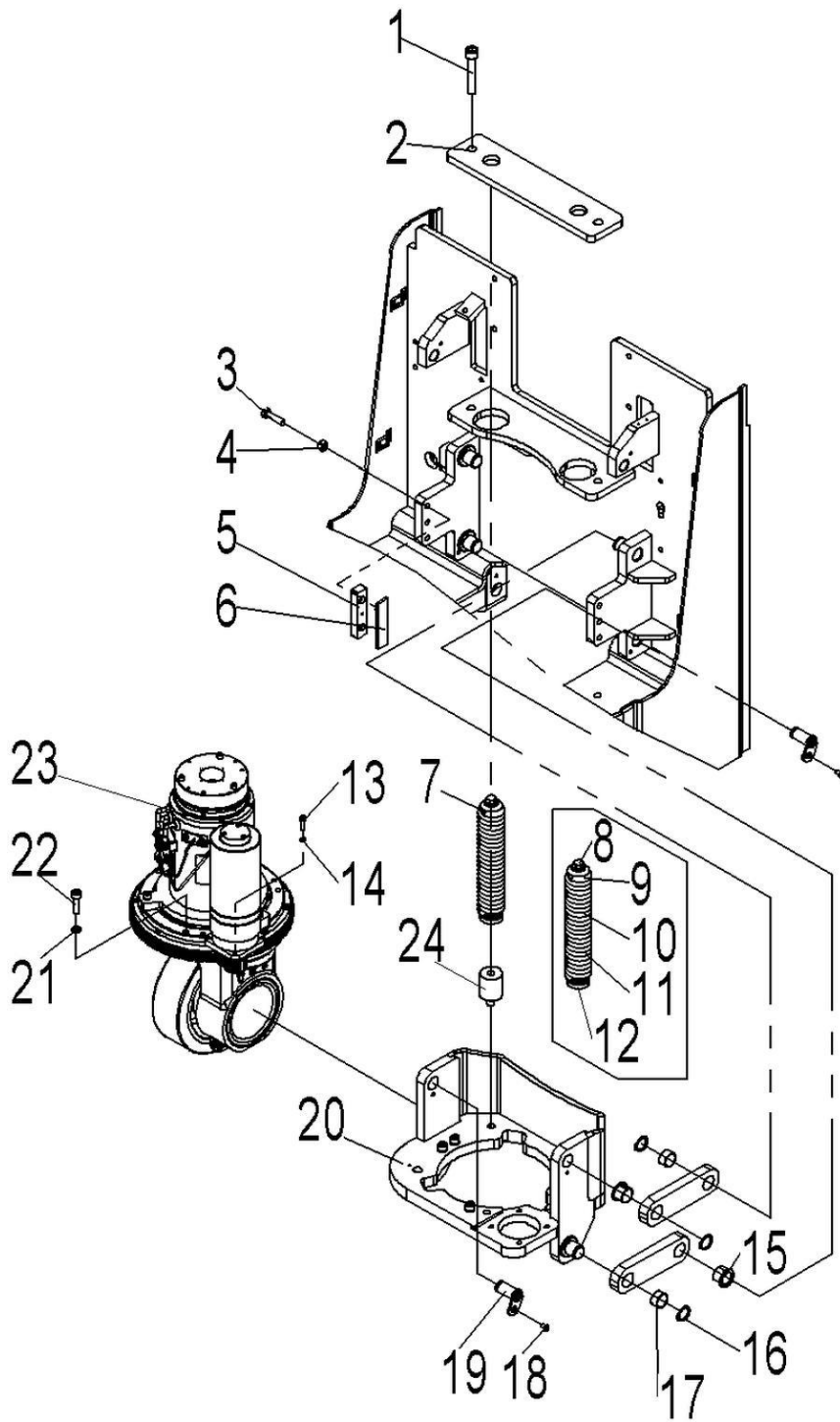


Fig. 14 Drive assembly

No.	New Art No.	Description	Qty.	Note
1	910100100068	Bolt GB5782-M14x90-8.8	2	
2	509013520003	Top plate	1	
3	910100300041	Bolt GB5783-M10x50-8.8	6	
4	910300100007	Nut GB6170-M10-10	6	
5	509013520006	Mounting plate	2	
6	509013520008	washer	2	
7	532613510001	Spring assembly	2	2.0t
	505913510003	Spring assembly	2	2.5t
8	941100200001	Bolt M10x180-8.8	2	
9	532613520004	cap	2	
10	532613520002	Spring Φ 40.5x Φ 7.5x342	2	2.0t
	505913520006	Spring Φ 42x Φ 9x282.5	2	2.5t
11	532613520003	Spring guide bushing Φ 32x Φ 29x165	2	
12	532613520001	Spring guide rod Φ 28x118	2	
13	910200200057	Screw GB70.1-M8x20-8.8	5	
14	910400500006	Spring Washer GB93-8	4	
15	940500200010	Bushing (with shoulder) Φ 25x Φ 28x16.5-SF-1	4	
16	910401300014	Circlip GB894.1-25	6	
17	940500100027	Bushing Φ 25x Φ 28x20-SF-1	4	
18	910200400016	Screw GB70.3-M6x12-8.8	4	
19	509013510001	Fixing axle Φ 25x48	4	
20	509013510000	Wheel frame assembly	1	
21	910400500007	Spring Washer GB93-10	6	
22	910200200079	Screw GB70.1-M10x40-8.8	6	
23	961000500000	Drive wheel JSL01B-AC-1.6Kw	1	
24	532613520014	Pad	2	

Fig. 15 1.6Kw Drive wheel

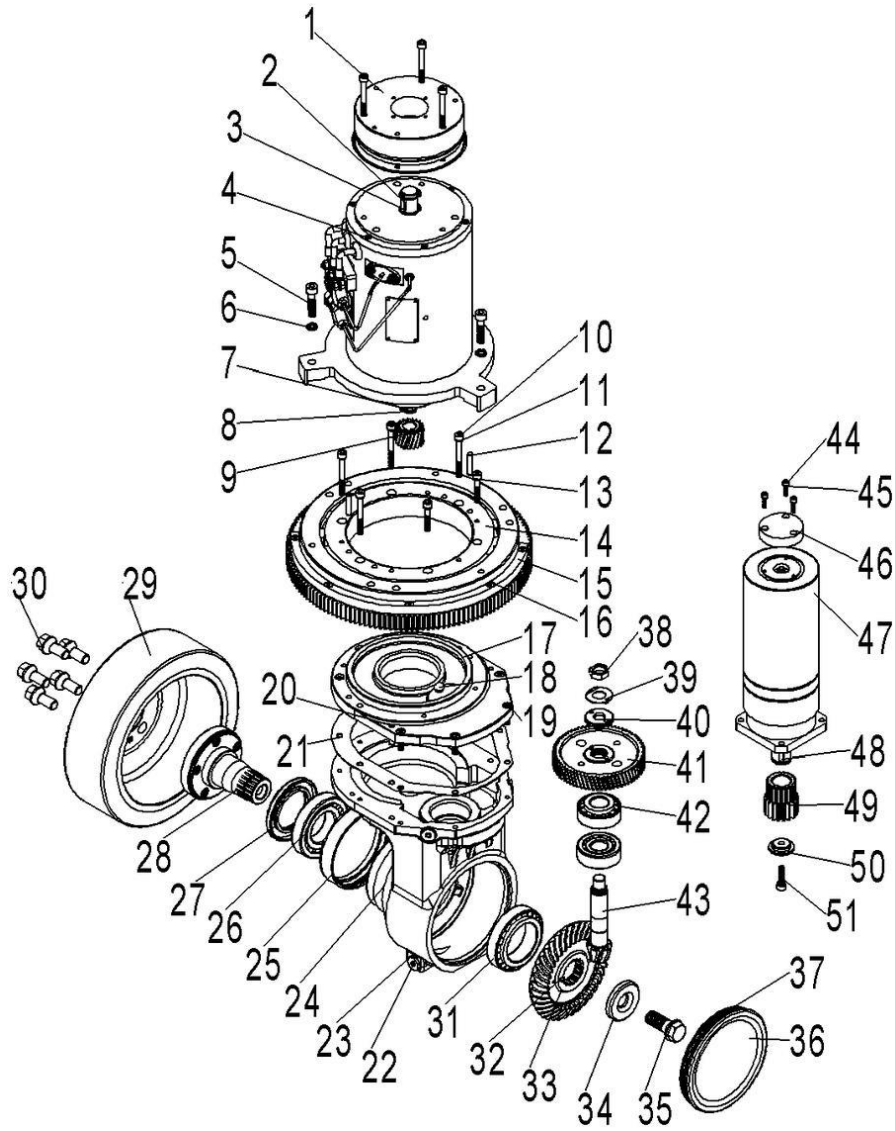


Fig. 14 1.6Kw Drive wheel

序号	十二位编码	名称	数量	备注
1	961000400001	Electromagnetic brake	1	
2	910600800012	Flat key GB1096-6x18-A	1	
3	910401300011	Circlip GB894.1-20	2	
4	961000500001	AC motor	1	
5	910200200144	Screw GB70.1-M8x35-12.9	3	
6	910400500019	Spring washer GB93-8	3	
7	910600800007	Flat key GB1096-5x20-A	1	
8	910401300007	Circlip GB894.1-16	1	
9	961000400005	Pinion	1	
10	910200200049	Screw GB70.1-M6x55-12.9(黑)	4	
11	910400500018	Spring washer GB93-6	14	
12	910600100016	Cylindrical pin GB119.2-6x30	2	
13	910200200141	Screw GB70.1-M6x35-12.9	2	
14	961000500002	Big gear	1	
15	961000500004	Sensor bar	1	
16	910200400041	Screw GB70.3-M4x16-8.8(黑)	5	
17	961000400007	Upper cover	1	
18	940998510011	Air plug Φ 8x12	1	
19	910200200139	Screw GB70.1-M6x20-12.9	7	
20	910600100039	Cylindrical pin GB119.2-6x26	2	
21	940998520025	Paper pad	1	
22	940998520042	Screw plug M12x1.25	3	
23	910800900007	Combination washer JB982-12	3	
24	961000400008	Gearbox	1	
25	940998520030	Dust cover	1	
26	910700600040	Bearing GB297-30208	1	
27	940998520040	Sealing 50x80x8	1	
28	940998520026	Sealing	1	
29	961000300001	Driving wheel Φ 230x75	1	
30	940998520029	Bolt	5	
31	910700600041	Bearing GB297-32010	1	
32	910600100038	Cylindrical pin GB119.2-4x12	2	

33	940998520017	Gear	1	
34	940998520027	Circlip	1	
35	940998520028	Bolt	1	
36	940998520018	Side cover	1	
37	910800100095	O ring 118x2.65	2	
38	910300400014	Nut GB6173-M14x1.5-05	1	
39	910401000005	Washer GB856-14	1	
40	940998520036	Washer	1	
41	961000400006	Big gear	1	
42	910700600042	Bearing GB297-32304	2	
43	940998520019	Gear	1	
44	910200200011	Screw GB70.1-M4x16-12.9(黑)	3	
45	910400500016	Spring washer GB93-4	3	
46	961000500007	Sensor	1	
47	961000500006	Steering assembly	1	
48	910600800015	Flat key GB1096-6x28-A	1	
49	961000500003	Pinion	1	
50	961000500005	Circlip	1	
51	910200200140	Screw GB70.1-M6x25-12.9	1	

Fig. 16 Hydraulic system(2.0t)

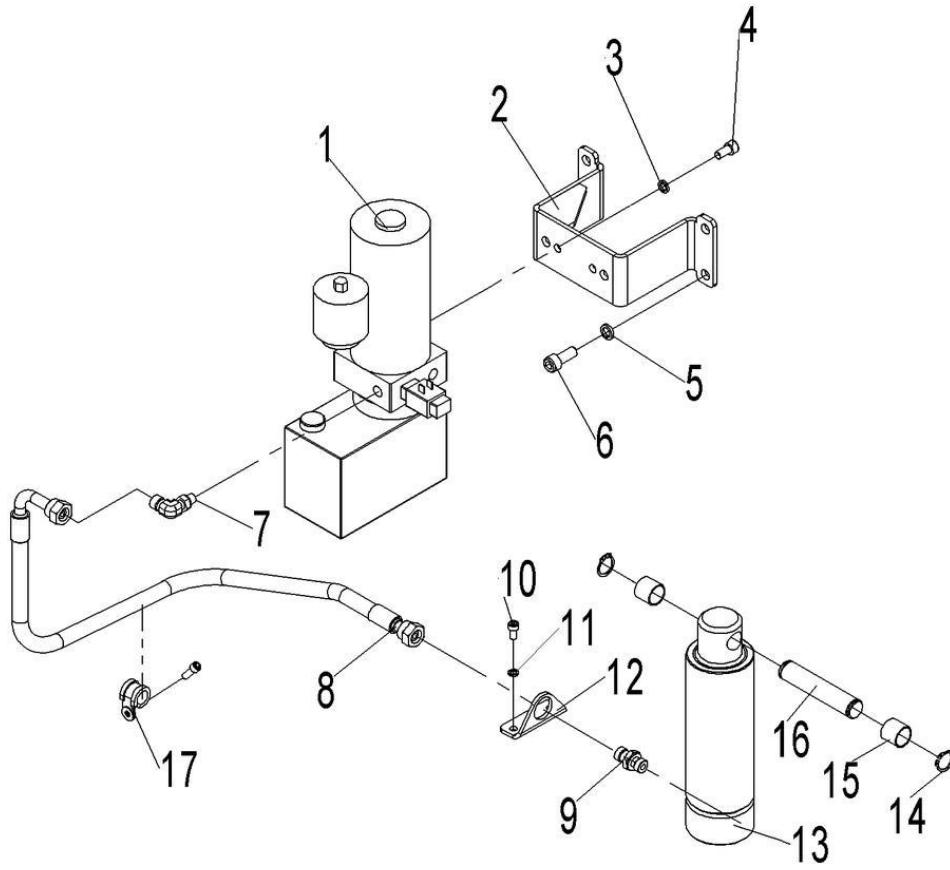


Fig. 16 Hydraulic system(2.0t)

No.	New Art No.	Description	Qty.	Note
1	950900100036	power unit 24V0.8KW1.0cc	1	
2	509024010000	Pump station assembly board	1	
3	910400500006	Washer GB93-8	2	
4	910200200055	Screw GB70.1-M8x16-8.8	2	
5	910400500007	Spring Washer GB93-10	2	
6	910200200075	Screw GB70.1-M10x20-8.8	2	
7	950401100002	Joint 8-G1/4-M14x1.5-24°	1	
8	509024020002	90° hose assembly 8-L650-1SC-24°	1	
9	950400400001	Straight joint 8-2xM14x1.5-24°	1	
10	910200200033	Screw GB70.1-M6x12-8.8	3	
11	910400500005	Spring Washer GB93-6	2	
12	505621520027	Cylinder fixing frame	1	
13	505624010000	Cylinder assembly $\Phi 52 \times \Phi 50 \times 210$	1	
14	910401300011	Circlip GB894.1-20	2	
15	940500100019	Bushing $\Phi 20 \times \Phi 23 \times 20$ -SF-1	2	
16	505638520033	Short axle $\Phi 20 \times 102$	1	
17	951000100003	YGE hose clamp 15	1	

Fig. 17 Hydraulic system(2.5t)

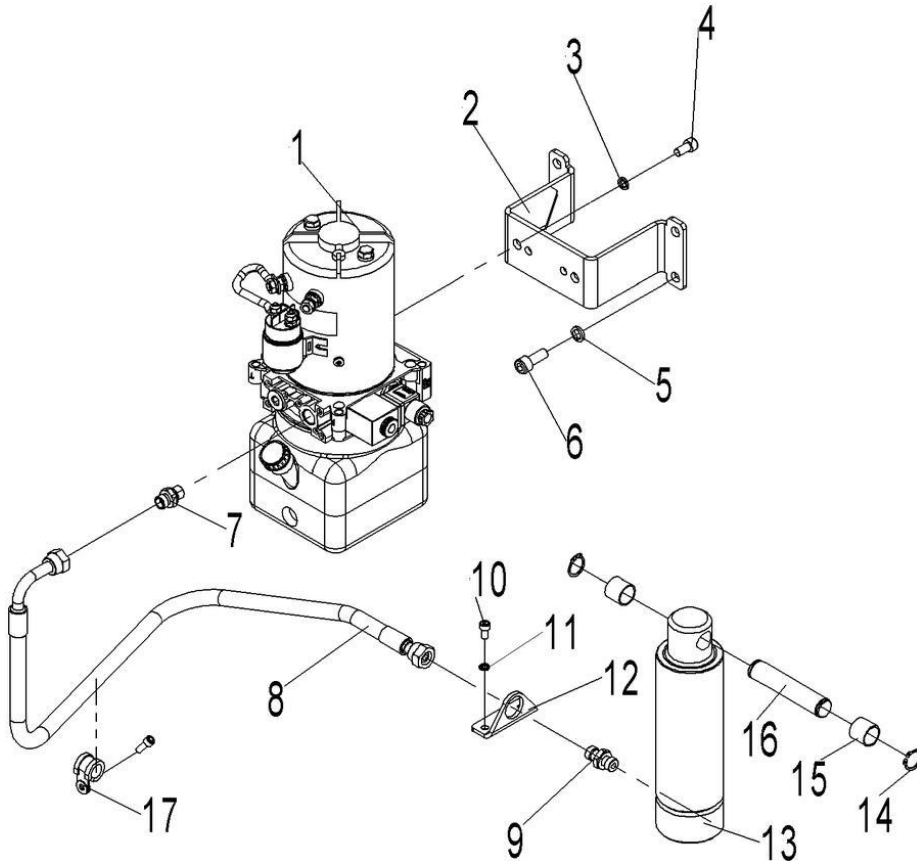


Fig. 17 Hydraulic system(2.5t)

No.	New Art No.	Description	Qty.	Note
1	950900100024	power unit 24V2.2KW2.0cc	1	
2	509024010000	Pump station assembly board	1	
3	910400500006	Spring Washer GB93-8	2	
4	910200200055	Screw GB70.1-M8x16-8.8	2	
5	910400500007	Spring Washer GB93-10	2	
6	910200200075	Screw GB70.1-M10x20-8.8	2	
7	950400300004	Straight joint 8-G3/8-M14x1.5-24°	1	
8	509024020003	90° hose assembly 8-L800-1SC-24°	1	
9	950400400001	Straight joint 8-2xM14x1.5-24°	1	
10	910200200033	Screw GB70.1-M6x12-8.8	3	
11	910400500005	Spring Washer GB93-6	2	
12	505621520027	Cylinder fixing frame	1	
13	505624010000	Cylinder assembly $\Phi 52 \times \Phi 50 \times 210$	1	
14	910401300011	Circlip GB894.1-20	2	
15	940500100019	Bushing $\Phi 20 \times \Phi 23 \times 20$ -SF-1	2	
16	505638520033	Short axle $\Phi 20 \times 102$	1	
17	951000100003	YGE hose clamp 15	1	

Fig. 18 Pump 0.8Kw

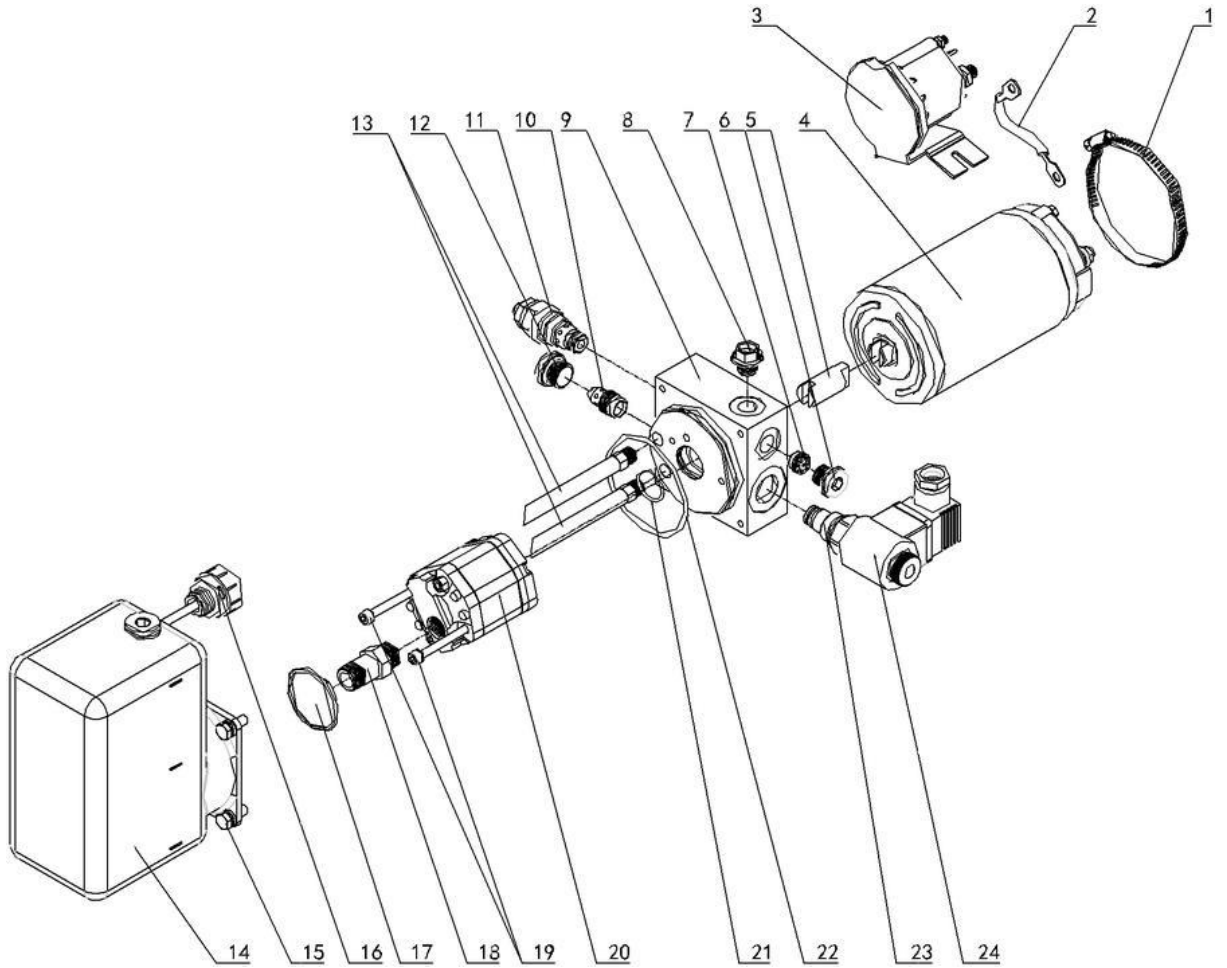


Fig. 18 Pump 0.8Kw

No.	New Art No.	Description	Qty.	Note
1	505698520032	Clamp	1	KG03
2	505698520033	Linking cable	1	RSWC-04
3	505698520034	Start relay	1	DK0324A
4	505698520035	DC Motor	1	MD24080AN
5	505698520036	Coupling	1	DCP-035C
6	505698520037	Plug	1	SP-02
7	505698520038	Internal check valve	1	CV-03
8	505698520039	Plug	1	PP-02
9	505698520040	Valve plate	1	B501
10	505698520041	Pressure filling valve	1	RPCV-02-04
11	505698520042	Over flow valve	1	RV-01
12	505698520043	Plug	1	SP-09
13	505698520044	Oil return hose	2	RU10-100
14	505698520045	Oil tank	1	1L-TP108-15B-HK1
15	505698520046	Screw	4	M5*16
16	505698520047	Oil tank	1	FC-03N
17	505698520048	Filter	1	FS-03A
18	505698520049	Oil suction hose	1	FP-03V-040
19	505698520050	Screw	2	M5*70
20	505698520051	Gear pump	1	CBU-F1100
21	505698520052	O ring	1	21.2*1.8
22	505698520053	O ring	1	67.95*2.62
23	505698520054	Valve core	1	SCV-MRK
24	505698520055	Coil	1	YC024DC

Fig. 19 Pump 2.2Kw

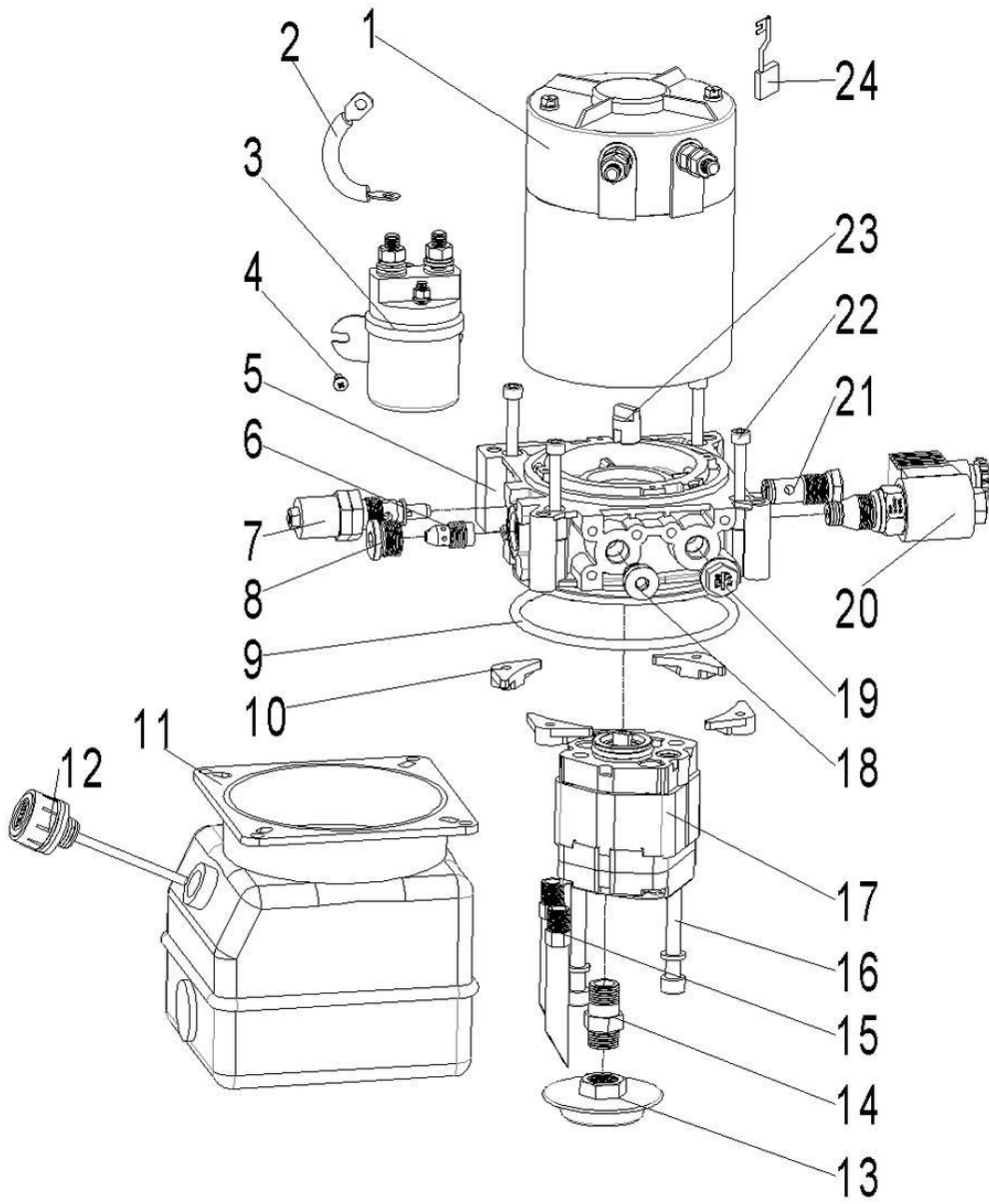


Fig. 19 Pump 2.2Kw

No.	New Art No.	Description	Qty.	Note
1	532098510001	Motor	1	(AMJ5897) ISKRA
2	505798510004	Connecting wire	1	Rubber cap
3	532098510002	Starting switch	1	ISKRA
4	910200500036	Screw		To fix starting switch
5	505798520005	Valve block	1	CMF-01-03
6	505798510006	Pressure-compensated valve	1	
7	505798510007	Flood valve	1	
8	402698520020	Stopper	1	
9	910800100088	O ring	1	
10	505798520008	Nut	4	
11	505798520009	Tank	1	1.5L-TP120A137-V
12	505698520047	Tank cap	1	FC-03N
13	402698520010	Strainer	1	
14	505798520010	Suction pipe	1	FP-03V-035
15	505798520012	Return pipe	2	RU12-090
16	910200200070	Bolt	2	With spring washer
17	532098510000	Gear pump	1	
18	505798520014	Stopper	1	Iron
19	505798520015	Stopper	1	
20	532098510006	Control valve	1	Round coil
21	505798510012	Check valve	1	
22	910200200042	Bolt	4	
23	505798520018	Coupling	1	DCP-048
24	505798510013	Carbon brush set	1	

Fig. 20 Cylinder components

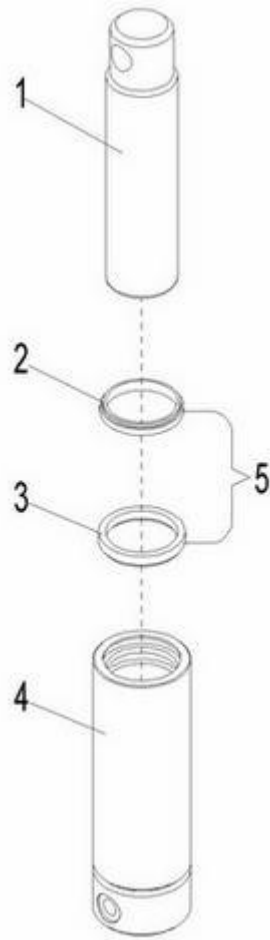


Fig. 20 Cylinder components

No.	New Art No.	Description	Qty.	Note
1	505624020002	Piston rod $\Phi 50 \times 175$	1	
2	910800400001	Dust ring FC50x58x5	1	
3	910800300004	Seal ring Y50x60x8	1	
4	505624010001	Cylinder tube	1	
5	505698510005	Cylinder sealing kit	1	

Fig. 21 Electrical steering assembly(Foldable)

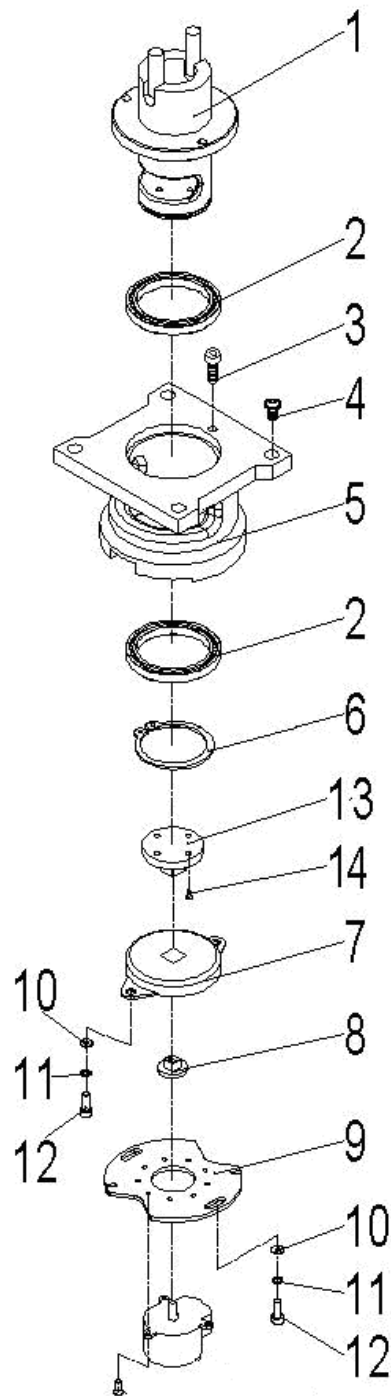


Fig. 21 Electrical steering assembly(Foldable)

No.	New Art No.	Description	Qty.	Note
1	505631510001	Axle base welding	1	
2	910700200041	Bearing GB276-61810-2RS	2	
3	910200200032	Screw GB70.1-M6x10-8.8	3	
4	910200200075	Screw GB70.1-M10x20-8.8	4	
5	505631520002	Fixing base	1	
6	910401300024	Circlip GB894.1-50	1	
7	940801200001	Damper T-70A-903	1	
8	505631520003	Linking block	1	
9	505731520001	Potentiometer fixing plate	1	
10	910400100004	Washer GB97.1-5-200HV	4	
11	910400500004	Spring washer GB93-5	4	
12	910200200022	Screw GB70.1-M5x12-8.8	4	
13	505631520005	Linking block	1	
14	910200500022	Screw GB818-M4x12-4.8	4	

Fig. 22 Electrical steering assembly(Fixed)

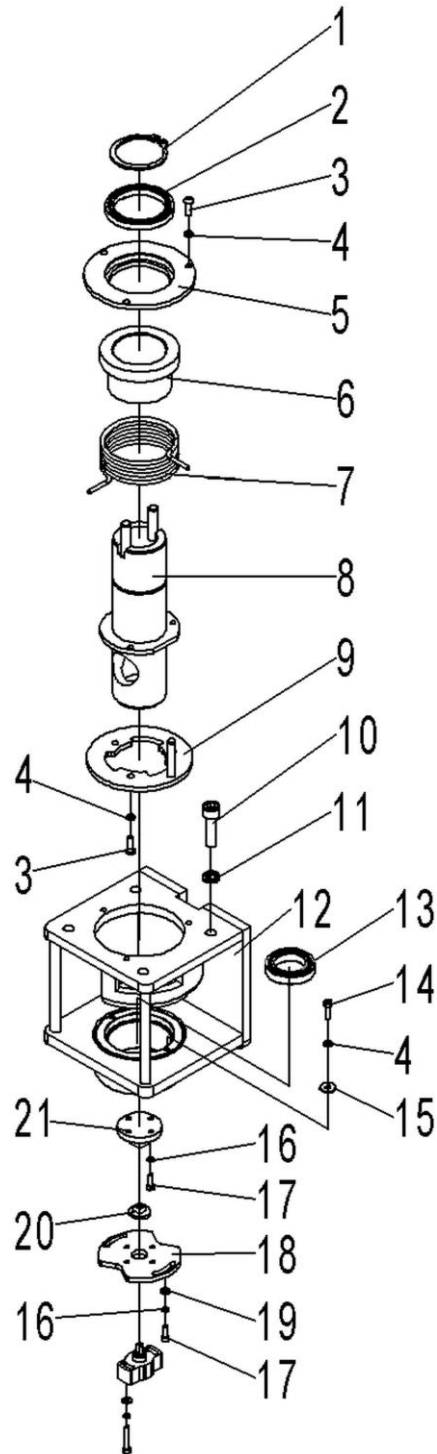


Fig. 22 Electrical steering assembly(Fixed)

No.	New Art No.	Description	Qty.	Note
1	910401300024	Circlip GB894.1-50	1	
2	910700400006	Bearing GB292-71810C-2RS	1	
3	910200300013	Screw GB70.2-M5x16-8.8	6	
4	910400500004	Spring Washer GB93-5	8	
5	505931520014	Bearing seat	1	
6	505931520003	Nylon cover $\Phi 60 \times \Phi 50 \times 42$	1	
7	940400700001	Spring $\Phi 70 \times \Phi 4 \times 31.5$	1	
8	509031510000	Rotating axle	1	
9	509031510001	Locating plate	1	
10	910200200075	Screw GB70.1-M10x20-8.8	4	
11	910400500007	Spring Washer GB93-10	4	
12	509031510002	Handle seat	1	
13	910700200041	Bearing GB276-61810-2RS	1	
14	910200200023	Screw GB70.1-M5x16-8.8	2	
15	910400200001	Washer GB96.1-5-200HV	2	
16	910400500003	Spring Washer GB93-4	6	
17	910200200014	Screw GB70.1-M4x12-8.8	6	
18	509031520001	Potentiometer assembly plate	1	
19	910400100003	Washer GB97.1-4-200HV	2	
20	505631520003	Linking block	1	
21	505631520005	Linking block	1	

Fig. 23 Platform assembly

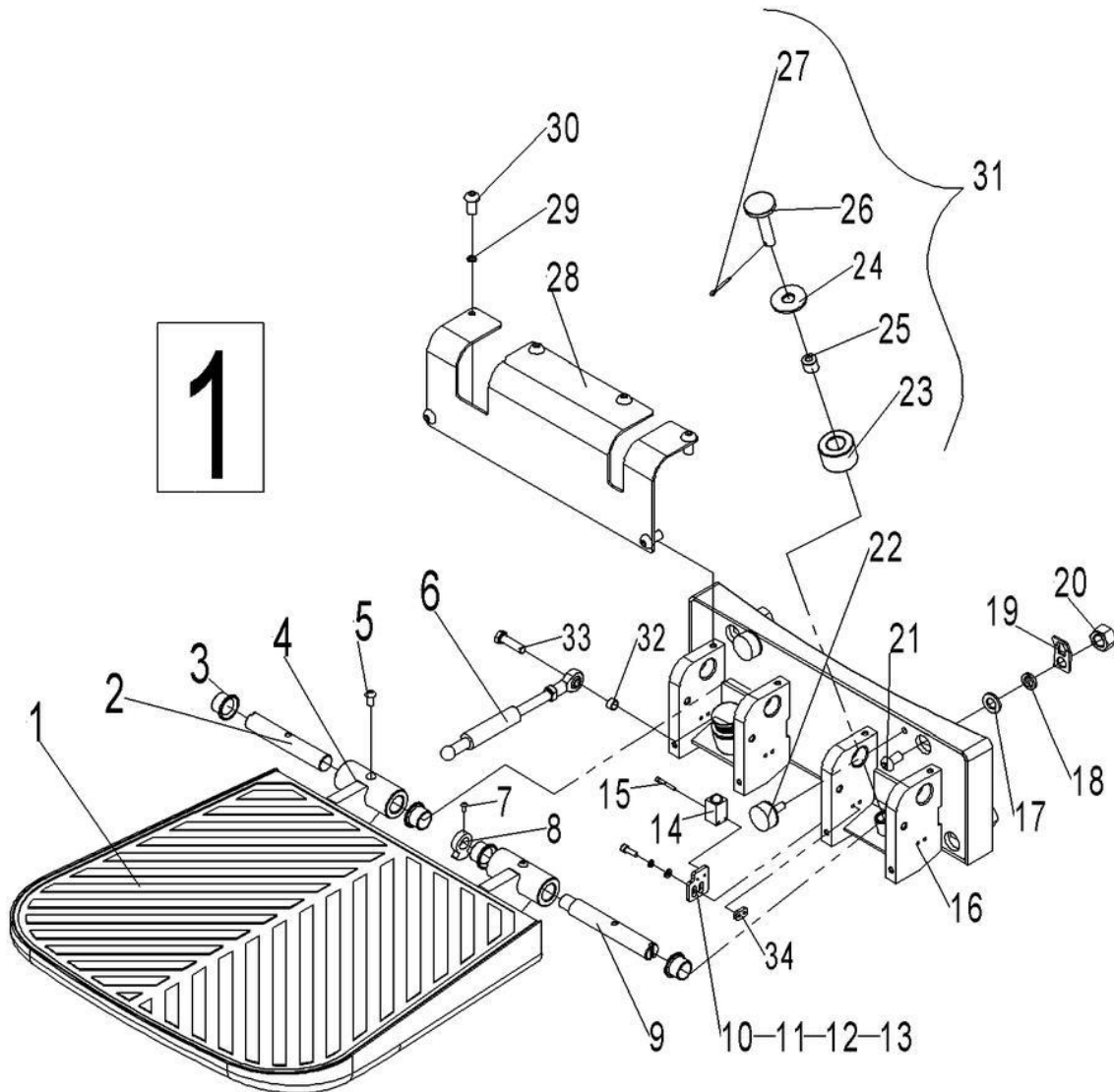


Fig. 23 Platform assembly

No.	New Art No.	Description	Qty.	Note
1	505618020018	Rubber pad	1	
2	505618020020	Rotate axle $\Phi 20 \times 118$	1	
3	940500200008	Bushing (with shoulder) $\Phi 20 \times \Phi 23 \times 16.5$ -SF-1	4	
4	505618010000	Platform welding	1	

5	910200300018	Screw GB70.2-M6x16-8.8	2	
6	940400100039	Air pring 700N(D263)	1	
7	910300400006	Nut GB6173-M16x1.5-05	1	
8	505618020024	Cam	1	
9	505618020017	Fixing axle Φ 20x140	1	
10	910400500004	Spring washer GB93-5	2	
11	910400100004	Washer GB97.1-5-200HV	2	
12	910200200023	Screw GB70.1-M5x16-8.8	2	
13	505618020026	Mounting plate (switch)	1	
14	505633510002	Screw GB818-M3x20-4.8	1	
15	910200500015	Proximity switch NBN5-F7-E2(800mm)	2	
16	505618010001	Mounting base welding	1	
17	910400100008	Washer GB97.1-12-200HV	4	
18	910400500008	Spring washer GB93-12	4	
19	505618020025	Cable plate	1	
20	910300500006	Nut GB889.1-M12-10	4	
21	910200200100	Screw GB70.1-M12x40-8.8	4	
22	505618020016	Damping pad	2	
23	505618020029	Damping pad Φ 40x Φ 20x43	2	
24	505618020022	Damping pad Φ 40x Φ 13.5x6	2	
25	505618020030	Spacer Φ 18.8x Φ 13.2x10.5	2	
26	505618020021	Fixing bolt Φ 13x68	2	
27	910600600026	Split pin GB91-3.2x20	2	
28	505618020019	Protective cover (Mounting base)	1	
29	910400500005	Spring washer GB93-6	6	
30	910200300017	Screw GB70.2-M6x12-8.8	6	
31	505698510002	Anti-vibration components	2	
32	505618020028	Spacer Φ 12x Φ 9x5	1	
33	910100300024	Screw GB5783-M8x30-8.8	1	
34	505618020027	Mounting plate	1	
□, 1	505618001000	Platform assembly	1	

Fig. 24 Protective arm assembly

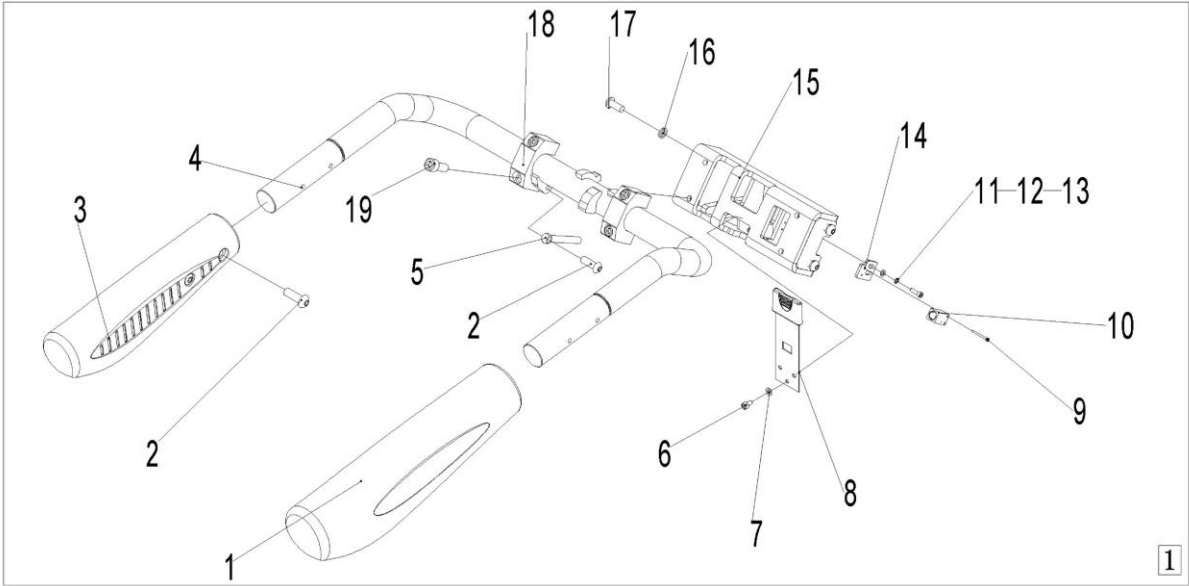


Fig. 24 Protective arm assembly

No.	New Art No.	Description	Qty.	Note
1	505617510002	Protective arm bushing 2	1	
2	910200300025	Screw GB70.2-M8x20-8.8	5	
3	505617510004	Protective arm bushing 1	1	
4	505617510001	Protective arm welding	1	
5	940400100006	Air pring 550N(D155)	1	
6	910200300017	Screw GB70.2-M6x12-8.8	3	
7	910400500005	Spring washer GB93-6	3	
8	505617510005	Locating plate	1	
9	910200500015	Screw GB818-M3x20-4.8	2	
10	505633510001	Proximity switch NBN5-F7-E2(600mm)	1	
11	910400500004	Spring washer GB93-5	2	
12	910400100004	Washer GB97.1-5-200HV	2	
13	910200200023	Screw GB70.1-M5x16-8.8	2	
14	505618020026	Mounting plate (switch)	1	
15	505617510000	Protective arm base welding	1	
16	910400500007	Spring washer GB93-10	4	
17	910100300036	Bolt GB5783-M10x25-8.8	4	
18	505617520005	Block	2	
19	910200200080	Screw GB70.1-M10x45-8.8	4	
□, 1	505617501000	Protective arm assembly	1	

Fig. 25 Electrical parts (Foldable)

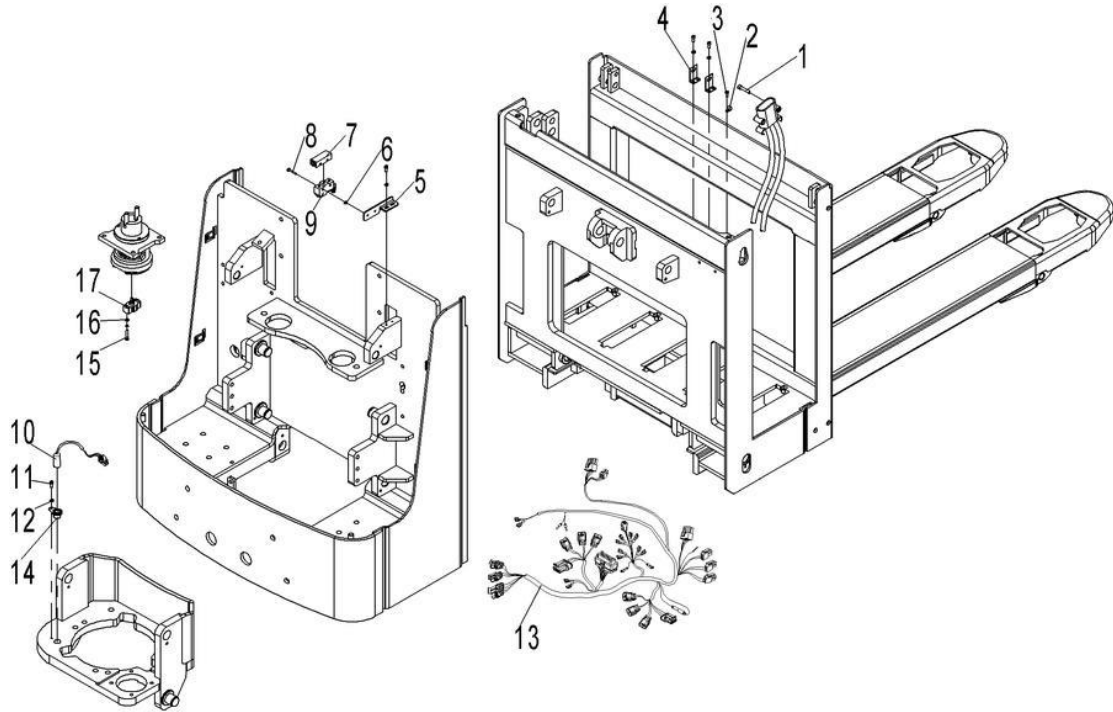


Fig. 25 Electrical parts (Foldable)

No.	New Art No.	Description	Qty.	Note
1	910200200039	Screw GB70.1-M6x30-8.8	2	
2	921300200002	Cable fixing part UC-2	1	
3	910200500034	Screw GB818-M4x8-4.8	3	
4	921300300003	Connector Fixing frame 4	2	
5	509021520048	Micro switch assembly plate	1	
6	910300100003	Nut GB6170-M4-10	2	
7	920200300008	Micro switch protective cover	1	
8	910200500027	Screw GB818-M4x25-4.8	2	
9	920200300003	Micro switch RZ-15GW2S-B3	1	
10	506733510006	Proximity switch Fi4-G12-ON6L(360mm)	1	
11	910200200013	Screw GB70.1-M4x10-8.8	7	
12	910400500003	Spring Washer GB93-4	7	
13	509033010001	Main control cable (F2-A+EPS1220C)	1	
14	533213510005	Trunnion board	1	
15	910200200017	Screw GB70.1-M4x25-8.8	2	
16	910400100003	Washer GB97.1-4-200HV	2	
17	921800200006	potentiometer RPAZ052(800mm)	1	

Fig. 26 Electrical parts (Fixed)

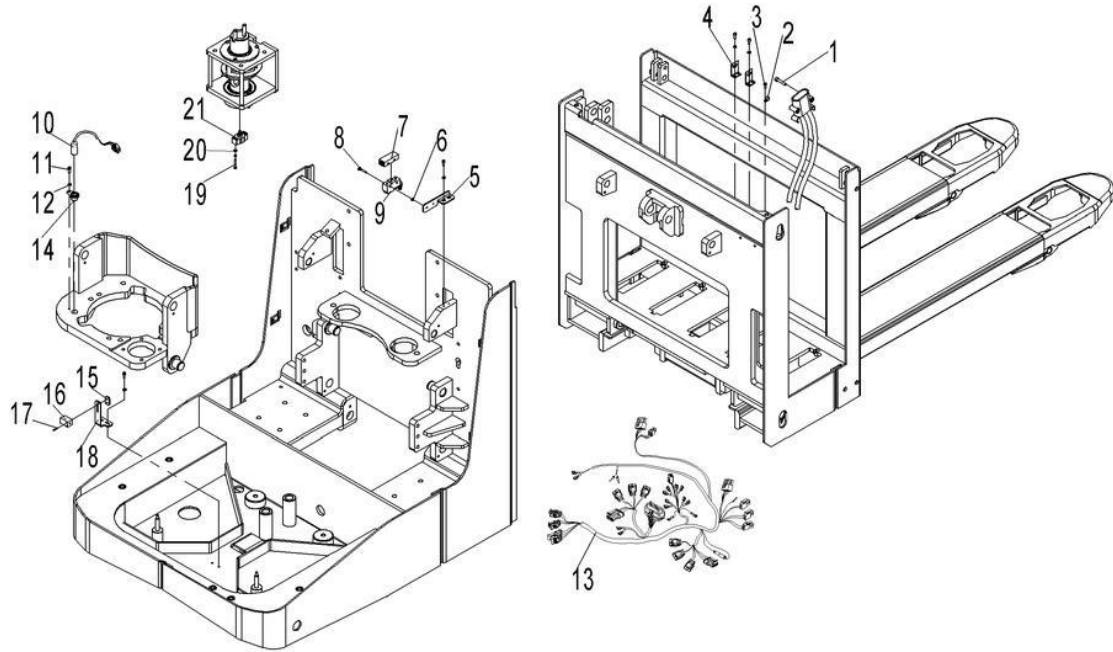


Fig. 26 Electrical parts (Fixed)

No.	New Art No.	Description	Qty.	Note
1	910200200039	Screw GB70.1-M6x30-8.8	2	
2	921300200002	Cable fixing part UC-2	1	
3	910200500034	Screw GB818-M4x8-4.8	3	
4	921300300003	Connector Fixing frame 4	2	
5	509021520048	Micro switch assembly plate	1	
6	910300100003	Nut GB6170-M4-10	2	
7	920200300008	Micro switch protective cover	1	
8	910200500027	Screw GB818-M4x25-4.8	2	
9	920200300003	Micro switch RZ-15GW2S-B3	1	
10	506733510006	Proximity switch Fi4-G12-ON6L(360mm)	1	
11	910200200013	Screw GB70.1-M4x10-8.8	9	
12	910400500003	Spring Washer GB93-4	11	
13	509033010001	Main control cable (F2-A+EPS1220C)	1	
14	533213510005	Trunnion board	1	
15	509021520054	switch protective cover	1	
16	505633510002	Proximity switch NBN5-F7-E2(800mm)	1	
17	910200500016	Screw GB818-M3x25-4.8	2	
18	509021520046	Proximity switch assembly plate	1	
19	910200200017	Screw GB70.1-M4x25-8.8	2	
20	910400100003	Washer GB97.1-4-200HV	2	
21	921800200006	potentiometer RPAZ052(800mm)	1	

Fig. 27 Electrical control components (Foldable)

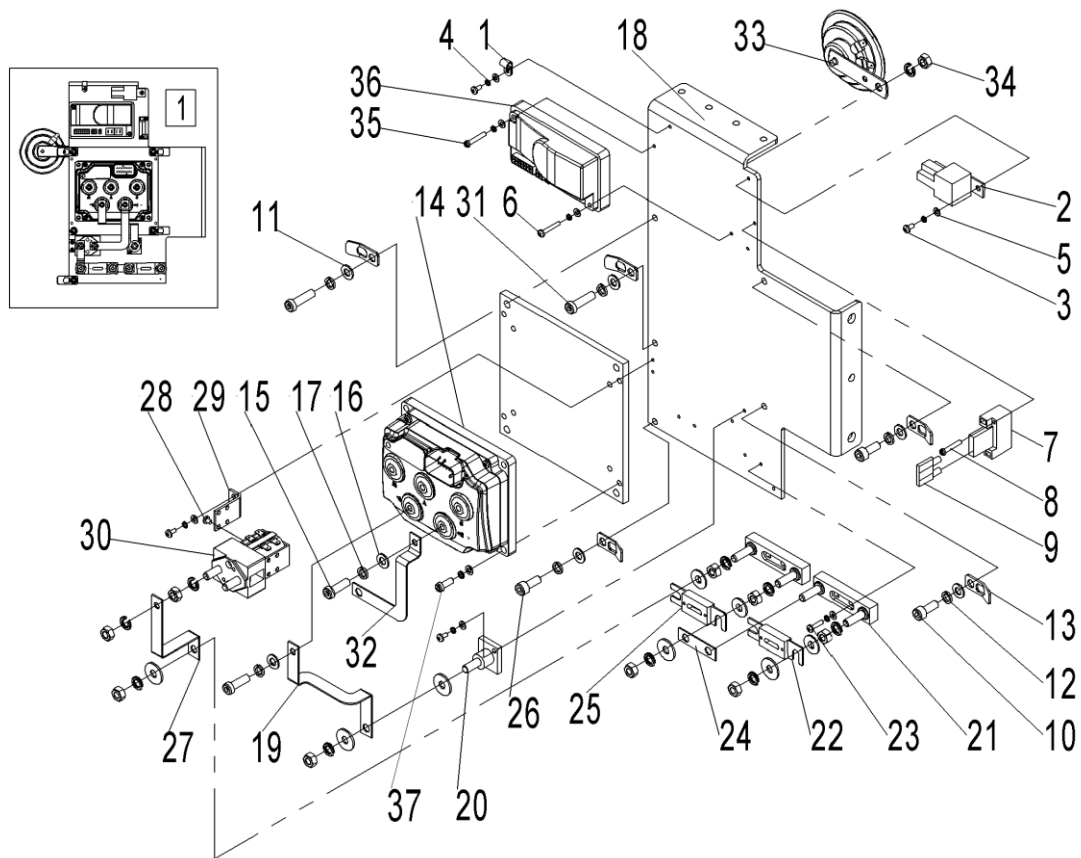


Fig. 27 Electrical control components (Foldable)

No.	New Art No.	Description	Qty.	Note
1	921300200002	Cable fixing part UC-2	1	
2	920800100011	Relay CMA36-S-DC24V	1	
3	910200500034	Screw GB818-M4x8-4.8	4	
4	910400500003	Spring Washer GB93-4	12	
5	910400100003	Washer GB97.1-4-200HV	12	
6	910200500028	Screw GB818-M4x30-4.8	1	
7	920100400006	Fuse seat BD-1x10A	1	
8	910200500016	Screw GB818-M3x25-4.8	1	
9	920100200002	Fuse 10A	1	
10	910200200057	Screw GB70.1-M8x20-8.8	3	
11	910400100006	Washer GB97.1-8-200HV	5	
12	910400500019	Spring Washer GB93-8	6	
13	921300200012	Cable fixing part	4	
14	921400100064	Controller AC-F2-A-24-200-001	1	

15	910200200035	Screw GB70.1-M6x16-8.8	5	
16	910400100005	Washer GB97.1-6-200HV	9	
17	910400500018	Spring Washer GB93-6	9	
18	509021520043	Mounting plate (Electrical control)	1	
19	505633020007	Copper bar	1	
20	920100400001	Fuse seat M8	1	
21	920100400009	Fuse seat SYY-1	2	
22	920100100004	Fuse 80A(Plastic)	1	
23	910200500024	Screw GB818-M4x16-4.8	4	
24	505633020003	Copper bar	1	
25	920100100007	Fuse 150A(Plastic)	1	
26	910200200051	Screw GB70.1-M8x10-8.8	1	
27	505633020002	Copper bar	1	
28	910200500020	Screw GB818-M4x6-4.8	2	
29	921300400001	Main contactor fixing part (100)	1	
30	920700100004	Contactor DC24V-C100-120	1	
31	910200200055	Screw GB70.1-M8x16-8.8	1	
32	505633020006	Copper bar	1	
33	920500100001	Horn 125-DC24V	1	
34	910300100006	Nut GB6170-M8-10	1	
35	910200500027	Screw GB818-M4x25-4.8	1	
36	921400100023	Controller 1220C-2201	1	
37	910200200036	Screw GB70.1-M6x20-8.8	4	
□,1	509033010018	Electrical control components (F2-A+EPS1220C)	1	

Fig. 28 Electrical control components (Fixed)

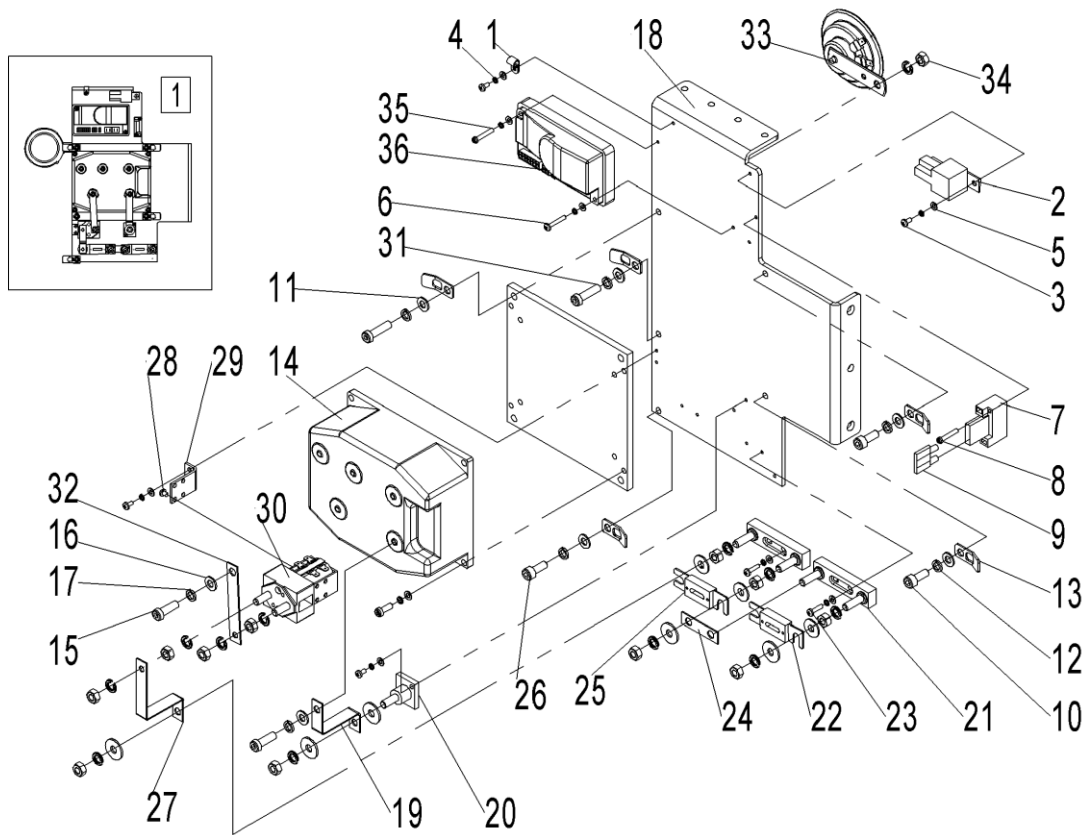


Fig. 28 Electrical control components (Fixed)

No.	New Art No.	Description	Qty.	Note
1	921300200002	Cable fixing part UC-2	1	
2	920800100011	Relay CMA36-S-DC24V	1	
3	910200500034	Screw GB818-M4x8-4.8	4	
4	910400500003	Spring Washer GB93-4	12	
5	910400100003	Washer GB97.1-4-200HV	12	
6	910200500028	Screw GB818-M4x30-4.8	1	
7	920100400006	Fuse seat BD-1x10A	1	
8	910200500016	Screw GB818-M3x25-4.8	1	
9	920100200002	Fuse 10A	1	
10	910200200057	Screw GB70.1-M8x20-8.8	3	
11	910400100006	Washer GB97.1-8-200HV	5	
12	910400500019	Spring Washer GB93-8	6	
13	921300200012	Cable fixing part	4	
14	921400100005	Controller 1232E-2321	1	

15	910200200035	Screw GB70.1-M6x16-8.8	9	
16	910400100005	Washer GB97.1-6-200HV	9	
17	910400500018	Spring Washer GB93-6	9	
18	509021520043	Mounting plate (Electrical control)	1	
19	505633020000	Copper bar	1	
20	920100400001	Fuse seat M8	1	
21	920100400009	Fuse seat SYY-1	2	
22	920100100004	Fuse 80A(Plastic)	1	
23	910200500024	Screw GB818-M4x16-4.8	4	
24	505633020003	Copper bar	1	
25	920100100007	Fuse 150A(Plastic)	1	
26	910200200051	Screw GB70.1-M8x10-8.8	1	
27	505633020002	Copper bar	1	
28	910200500020	Screw GB818-M4x6-4.8	2	
29	921300400001	Main contactor fixing part (100)	1	
30	920700100004	Contacto DC24V-C100-120	1	
31	910200200055	Screw GB70.1-M8x16-8.8	1	
32	505633020001	Copper bar	1	
33	920500100001	Horn 125-DC24V	1	
34	910300100006	Nut GB6170-M8-10	1	
35	910200500027	Screw GB818-M4x25-4.8	1	
36	921400100023	Controller 1220C-2201	1	
□,1	509533010001	Electrical control components (1232E-2321+EPS1220C)	1	

Fig. 29 Main wiring harness (Foldable)

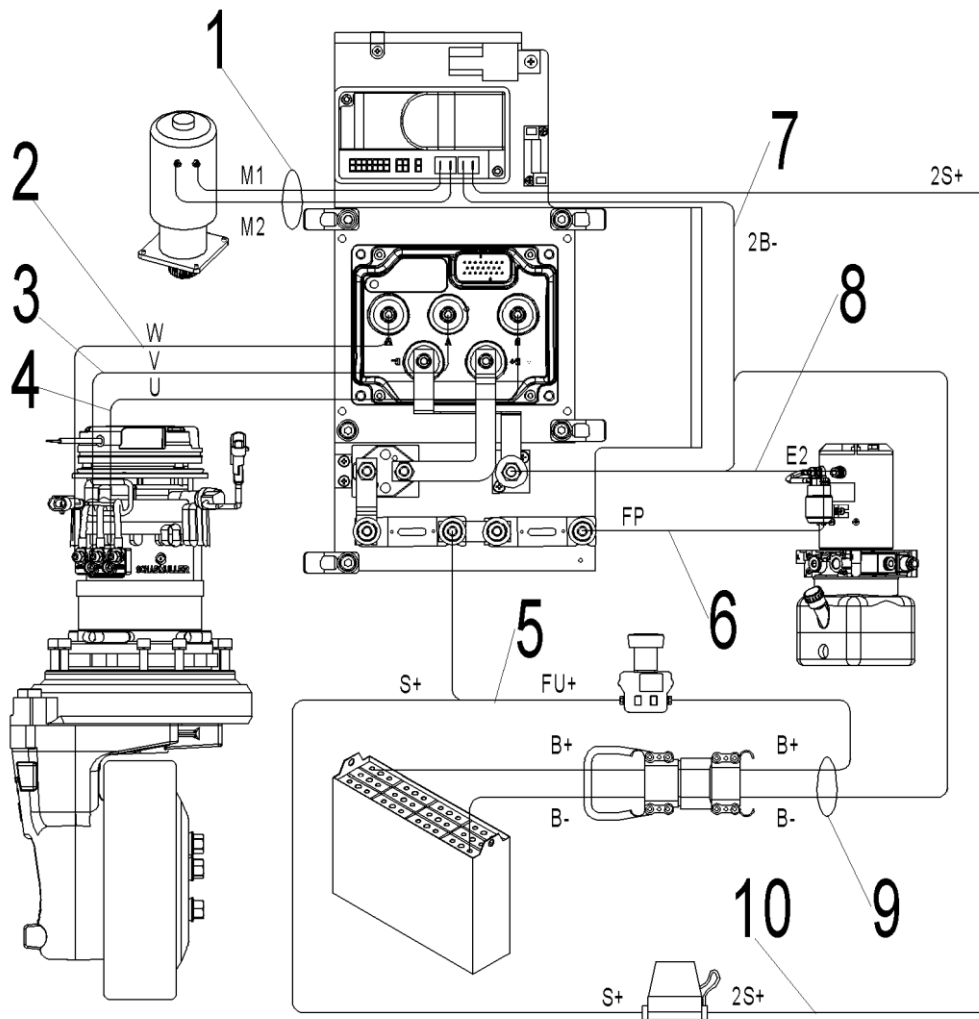


Fig. 29 Main wiring harness (Foldable)

No.	New Art No.	Description	Qty.	Note
1	509033010019	steering motor wiring harness	1	
2	509033010004	Cable -W-16-6-6-800	1	
3	509033010003	Cable -V-16-6-6-760	1	
4	509033010002	Cable -U-16-6-6-730	1	
5	509033010008	Cable -FU+-25-8-8-750	1	
6	509533010003	Cable -FP-16-8-8-1100	1	
7	509033010014	Linking cable -2B--4-6.3-8-400	1	
8	509533010004	Cable -E2-16-8-8-1150	1	
9	509033010013	Main power supply wiring harness	1	
10	509033010016	ateering positive pole wiring harness	1	

Fig. 30 Main wiring harness (Fixed)

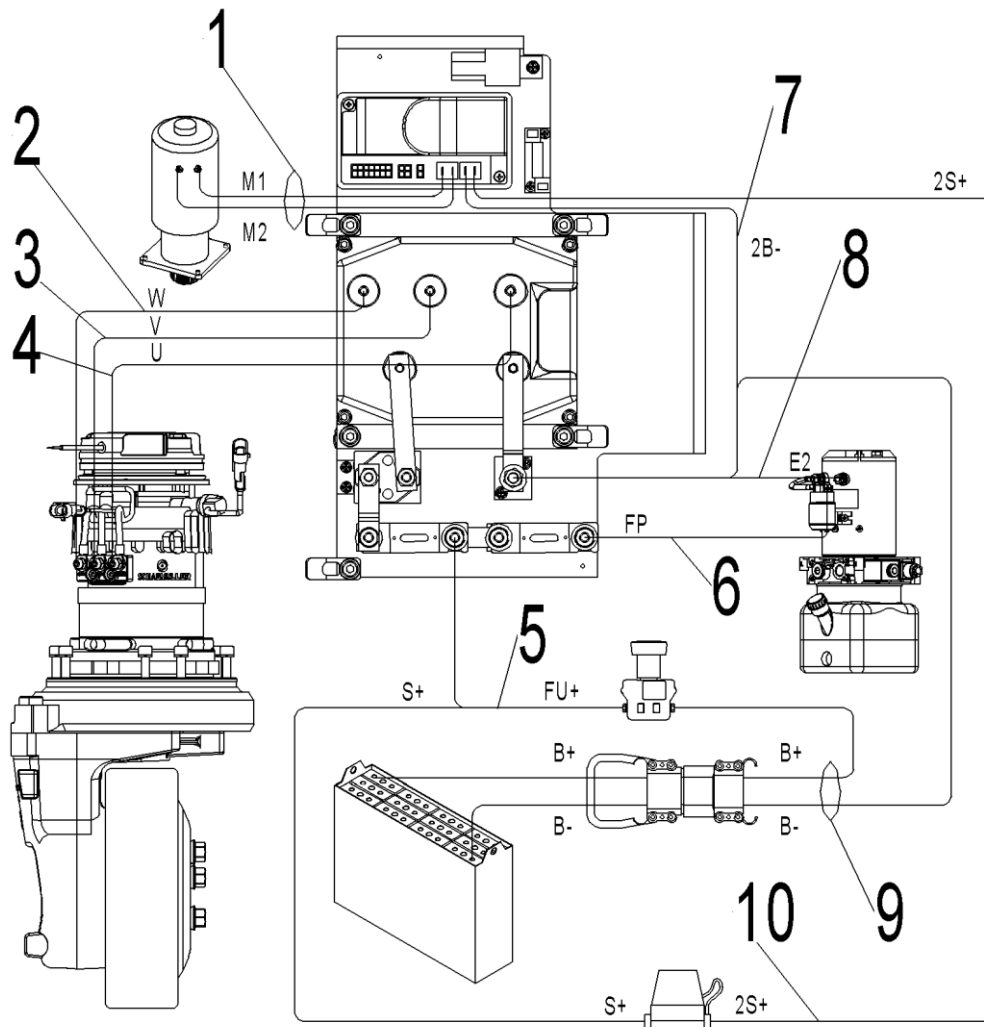


Fig. 30 Main wiring harness (Fixed)

No.	New Art No.	Description	Qty.	Note
1	509033010019	steering motor wiring harness	1	
2	509033010004	Cable -W-16-6-6-800	1	
3	509033010003	Cable -V-16-6-6-760	1	
4	509033010002	Cable -U-16-6-6-730	1	
5	509033010008	Cable -FU+-25-8-8-750	1	
6	509533010003	Cable -FP-16-8-8-1100	1	
7	509033010014	Linking cable -2B--4-6.3-8-400	1	
8	509533010004	Cable -E2-16-8-8-1150	1	
9	509033010013	Main power supply wiring harness	1	
10	509033010016	ateering positive pole wiring harness	1	

Fig. 31 Sticker(EU)

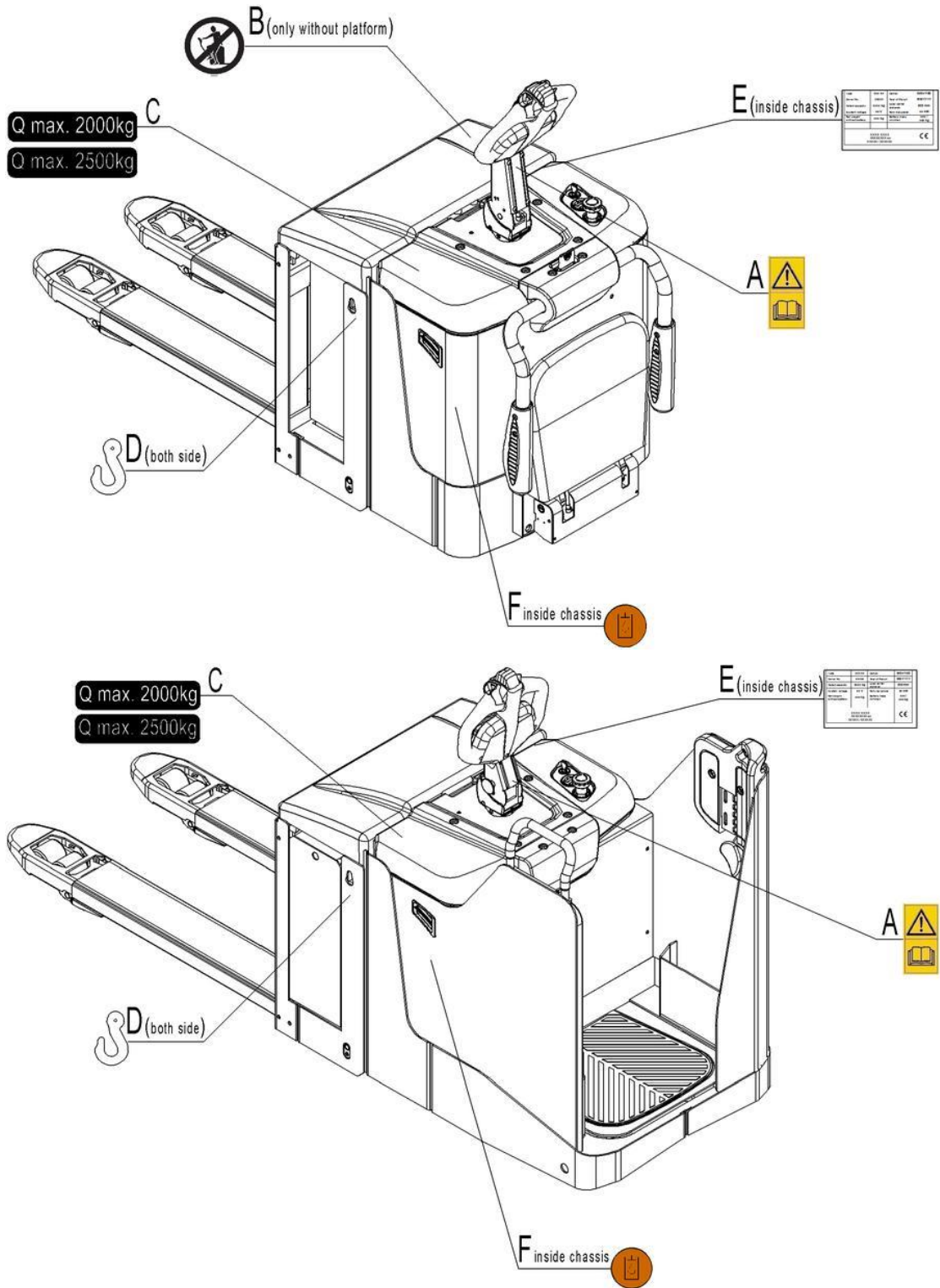


Fig. 31 Sticker(EU)

No.	New Art No.	Description	Qty.	Note
A	941200300002	Sign read and follow this instruction	1	
B	941200100003	'No passengers' decal	1	
C	941200200010	Sign capacity sticker (2000 kg)	1	
	941200200011	Sign capacity sticker (2500 kg)	1	
D	941200300001	Hook sticker	2	
E	509047020001	CE sticker	1	
	509047020002	CE sticker	1	
F	941200300003	Filling sticker	1	

Fig. 32 Sticker(US)

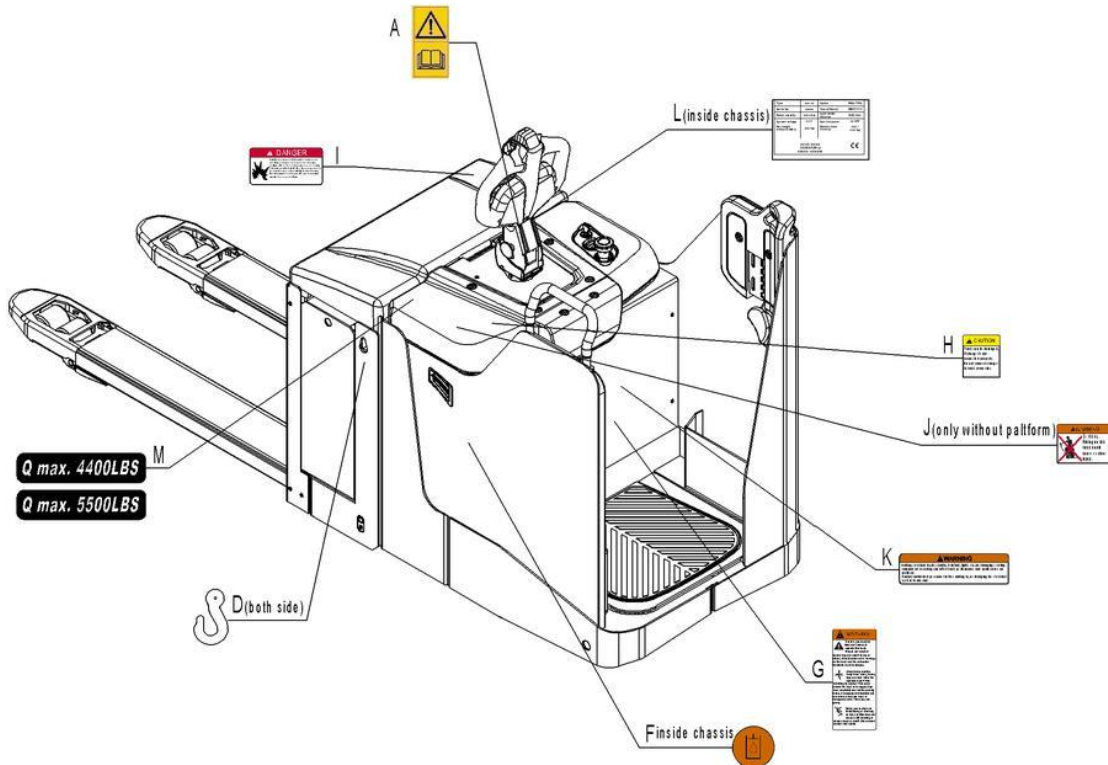
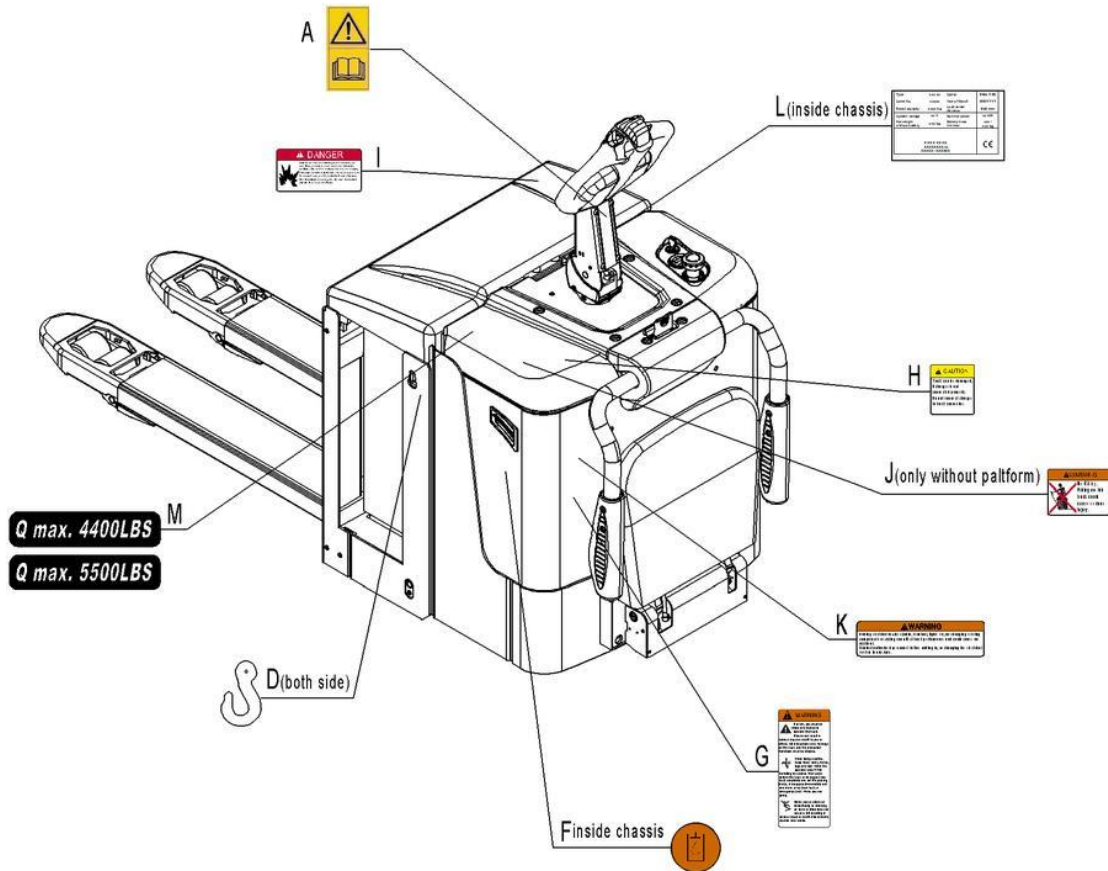


Fig. 32 Sticker(US)

No.	New Art No.	Description	Qty.	Note
A	941200300002	Sticker to read and follow these instructions	1	
M	941200200038	Capacity sticker(4400 LBS)	1	
	941200200039	Capacity sticker(5500 LBS)	1	
D	941200300001	Hook sticker	2	
F	941200300003	Filling sticker	1	
G	941200100009	Warning sticker	1	
H	941200100012	Warning sticker	1	
I	941200100013	Warning sticker	1	
J	941200100011	Warning sticker	1	
K	941200100010	Warning sticker	1	
L	509047020001	CE sticker	1	
	509047020002	CE sticker	1	

Easy worn parts list

No.	New Art No.	Description	Qty.	Fig. /Position	Note
1	940500100027	Bushing $\Phi 25 \times \Phi 28 \times 20$ -SF-1	2	Fig.3/6	Frame assembly
2	940500100019	Bushing $\Phi 20 \times \Phi 23 \times 20$ -SF-1	2	Fig.3/7	
3	940500100097	Bushing $\Phi 24.6 \times \Phi 29 \times 25$ -SF-1	2	Fig.3/8	
4	940500100012	Bushing $\Phi 20 \times \Phi 22 \times 12$ -SF-1	4	Fig.3/14	
5	910700200017	Bearing GB276-6202-2RS	10	Fig.3/22	
6	940500100012	Bushing $\Phi 20 \times \Phi 22 \times 12$ -SF-1	4	Fig.4/7	Load roller(EU)
7	910700200019	Bearing GB276-6204-2RS	8/4(double/single)	Fig.4/10	
8	940500200003	Bushing (with shoulder) $\Phi 18 \times \Phi 20 \times 12$ -SF-1	2(double)	Fig.4/16	
9	910700500002	Bearing GB296-3205A-2RS	2	Fig.5/5	Steering wheel assembly
10	940500100002	Bushing $\Phi 12 \times \Phi 15 \times 15$ -SF-1	4	Fig.5/13	
11	910700200019	Bearing GB276-6204-2RS	4	Fig.5/19	
12	940500200007	Bushing (with shoulder) $\Phi 20 \times \Phi 23 \times 15$ -SF-1	2	Fig.6/11	Truck body assembly (Foldable)
13	940500100017	Bushing $\Phi 20 \times \Phi 23 \times 15$ -SF-1	2	Fig.6/14	
14	940500200007	Bushing (with shoulder) $\Phi 20 \times \Phi 23 \times 15$ -SF-1	2	Fig.7/11	Truck body assembly (Fixed)
15	940500100017	Bushing $\Phi 20 \times \Phi 23 \times 15$ -SF-1	2	Fig.7/14	
16	940500200002	Bushing (with shoulder) $\Phi 17 \times \Phi 19 \times 11$ -SF-1	2	Fig.9/8	Handle assembly (Foldable)
17	940400100003	Air pring 450N(D209)	1	Fig.9/13	
18	940500200002	Bushing (with shoulder) $\Phi 17 \times \Phi 19 \times 11$ -SF-1	2	Fig.10/10	Handle assembly (Fixed)
19	940500200008	Bushing (with shoulder) $\Phi 20 \times \Phi 23 \times 16.5$ -SF-1	2	Fig.12/10	Battery (180Ah)
20	940500200010	Bushing (with shoulder) $\Phi 25 \times \Phi 28 \times 16.5$ -SF-1	4	Fig.14/15	Drive assembly
21	940500100027	Bushing $\Phi 25 \times \Phi 28 \times 20$ -SF-1	4	Fig.14/17	
22	940500100019	Bushing $\Phi 20 \times \Phi 23 \times 20$ -SF-1	2	Fig.16/15	Hydraulic system (2.0t)

23	940500100019	Bushing $\Phi 20 \times \Phi 23 \times 20$ -SF-1	2	Fig.17/15	Hydraulic system (2.5t)
24	505798510013	Carbon brush set	1	Fig.19/24	Pump (2.2Kw)
25	910800400001	Dust ring FC50x58x5	1	Fig.20/2	Cylinder assembly
26	910800300004	Seal ring Y50x60x8	1	Fig.20/3	
27	505698510005	Cylinder sealing kit	1	Fig.20/5	
28	910700200041	Bearing GB276-61810-2RS	2	Fig.21/2	Electrical steering assembly (Foldable)
29	910700400006	Bearing GB292-71810C-2RS	1	Fig.22/2	Electrical steering assembly (Fixed)
30	910700200041	Bearing GB276-61810-2RS	1	Fig.22/13	
31	940500200008	Bushing (with shoulder) $\Phi 20 \times \Phi 23 \times 16.5$ -SF-1	4	Fig.23/3	Foldable platform
32	940400100039	Air pring 700N(D263)	1	Fig.23/6	
33	940400100006	Air pring 550N(D155)	1	Fig.24/5	Protective arm