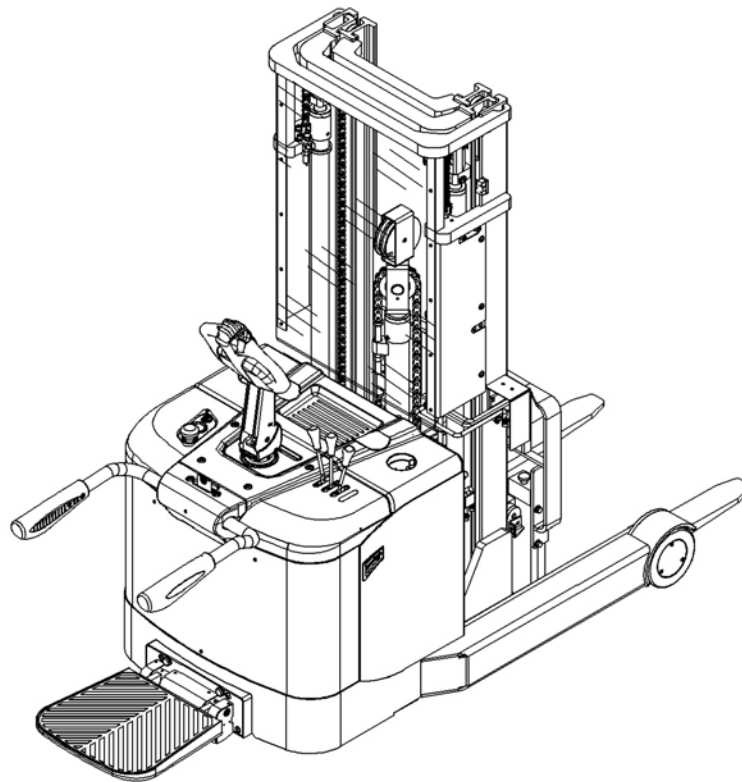


SPAREPARTS LIST

Electric Stacker PS 13RM



Version 11/2014

From truck identification number:

30130700011

PS 13RM-BPT-001-EN

Catalogue

FIG. 1 LABEL (FOR US)	3
FIG. 2 LABEL (FOR EU)	5
FIG. 3 APPEARANCE (THREE-STAGE-MAST)	7
FIG. 4 APPEARANCE (TWO-STAGE-MAST)	9
FIG. 5 APPEARANCE (ONE-STAGE-MAST)	11
FIG. 6 PALLET FRAME	13
FIG. 7 PALLET FRAME(SIDEWAYS)	15
FIG. 8 LOAD ROLLER.....	17
FIG. 9 STEERING WHEEL ASSEMBLY.....	19
FIG. 10 MAST ASSEMBLY (THREE-STAGE-MAST)	21
FIG. 11 MAST ASSEMBLY (TWO-STAGE-MAST)	24
FIG. 12 MAST ASSEMBLY (ONE-STAGE-MAST)	27
FIG. 13 BATTERY COVER	29
FIG. 14 TRUCK BODY.....	31
FIG. 15 TRUCK BODY(SIDE PULLING BATTERY)	34
FIG. 16 DRIVE SYSTEM.....	36
FIG.17 DRIVE UNIT	38
FIG.18 STEERING UNIT (STDC 2032)	42
FIG. 19 CONTROLLER ASSEMBLY	44
FIG. 20 MAIN WIRE	46
FIG. 21 INDICATOR ASSEMBLY.....	48
FIG. 22 ELECTRICAL STEERING ASSEMBLY.....	50
FIG. 23 LIFTING CYLINDER ASSEMBLY (THREE-STAGE-MAST)	52
FIG. 24 LIFTING ASSEMBLY (TWO-STAGE-MAST)	54
FIG. 25 LIFTING ASSEMBLY (ONE-STAGE-MAST)	56
FIG. 26 LIFTING、REACH FORWARD HYDRAULIC SYSTEM	

(THREE-STAGE-MAST)	58
FIG. 27 LIFTING、REACH FORWARD HYDRAULIC SYSTEM	
(TWO-STAGE-MAST)	60
FIG. 28 LIFTING、REACH FORWARD HYDRAULIC SYSTEM	
(ONE-STAGE-MAST)	62
FIG. 29 TILT HYDRAULIC SYSTEM (THREE-STAGE-MAST)	64
FIG. 30 TILT HYDRAULIC SYSTEM (TWO-STAGE-MAST)	66
FIG. 31 TILT HYDRAULIC SYSTEM (ONE-STAGE-MAST)	68
FIG. 32 SIDESWAY HYDRAULIC SYSTEM (THREE-STAGE-MAST)	70
FIG. 33 REAR LIFTING CYLINDER (THREE-STAGE-MAST)	72
FIG. 34 REAR LIFTING CYLINDER (TWO-STAGE-MAST)	74
FIG. 35 FRONT LIFTING CYLINDER (THREE-STAGE-MAST)	76
FIG. 36FRONT LIFTING CYLINDER (ONE-STAGE-MAST)	78
FIG. 37 REACH FORWARD CYLINDER	80
FIG. 38 TILT CYLINDER.....	82
FIG. 39 VALVE	84
FIG. 40 PUMP SYSTEM	86
FIG. 41 HANDLE ARM ASSEMBLY	88
FIG. 42 HANDLE HEAD	90
FIG. 43 PROTECTIVE ARM	92
FIG. 44 FOLDABLE PLATFORM.....	94
FIG. 45 BATTERY	97
EASY WORN PARTS LIST	99

Fig. 1 Label (for US)

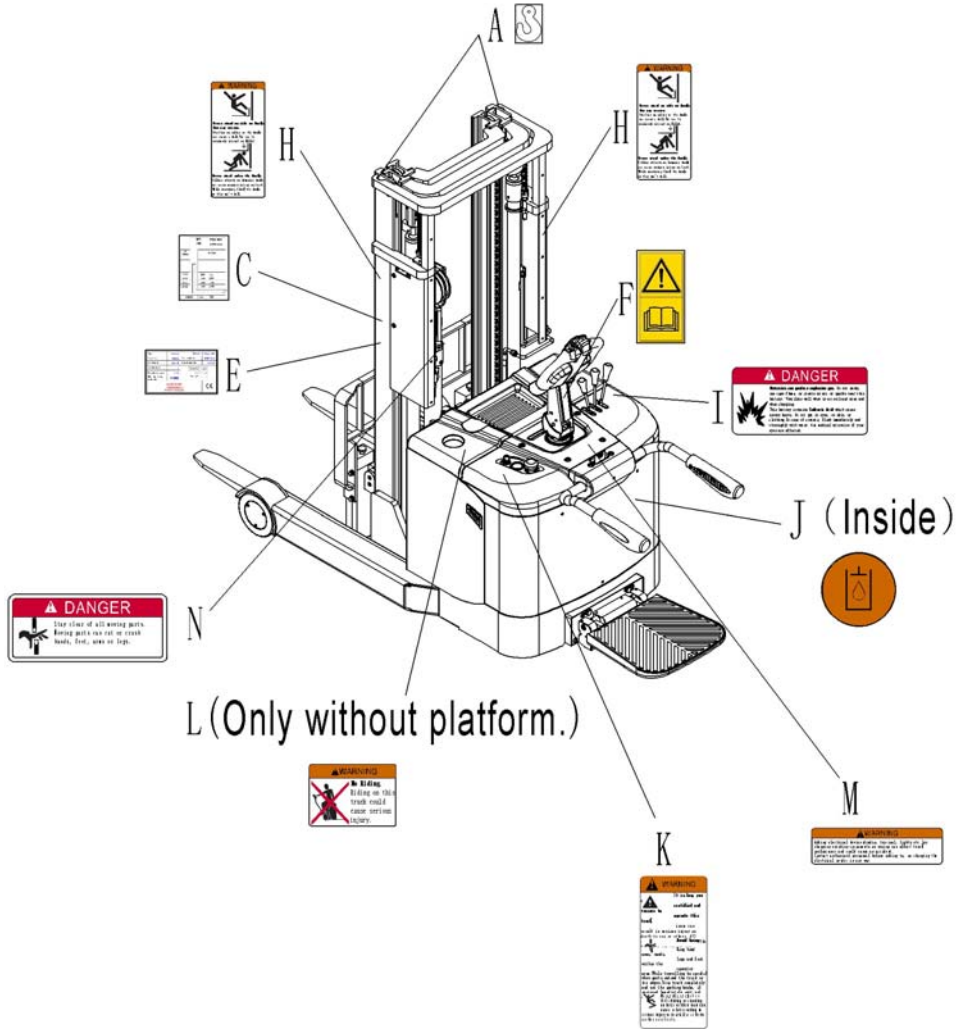
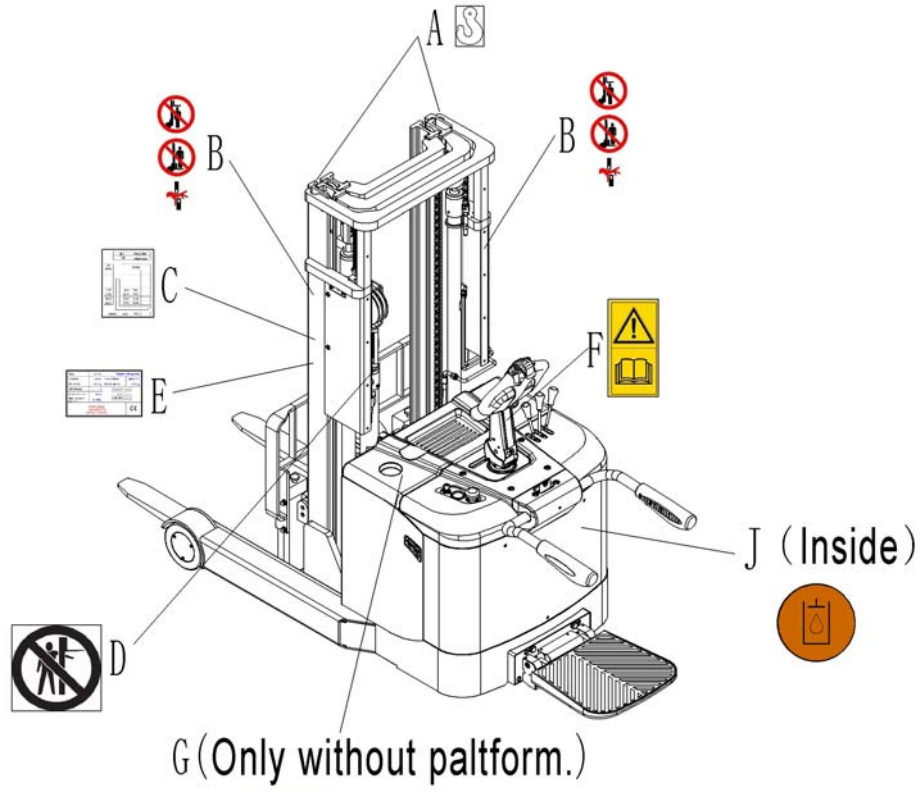


Fig. 1 Label (for US)

No.	Art No.	Description	Qty.	Note
A	9000005967	Crane hook label	2	
C	9000008648	Residual lift capacity sticker	1	
E	9000008647	Identification plate (ID-plate)	1	
F	9000003570	Sticker to read and follow these instructions	1	
H	9000005971	Warning label	2	
I	9000003577	Warning label	1	
J	9000008555	Filling sticker	1	
K	9000003575	Warning label	1	
L	9000003580	Warning label	1	
M	9000003579	Warning label	1	
N	9000005970	Warning label	1	

Fig. 2 Label (for EU)



AVVERTENZE
Attenzione:
Ridurre su tutti
tracce e sul
tracce e sul
tracce e sul



Fig. 2 Label (for EU)

No.	Art No.	Description	Qty.	Note
A	9000005967	Crane hook label	2	
B	9000003923	Warning decal: Do not step under or on the forks	2	
C	9000008648	Residual lift capacity sticker	1	
D	9000008561	Never reach through	1	
E	9000008647	Identification plate	1	
F	9000003570	Sticker to read and follow these instructions	1	
G	9000003573	'No passengers' decal	1	
J	9000008555	Filling sticker	1	

NOBUFT 诺力

Fig. 3 Appearance (Three-stage-mast)

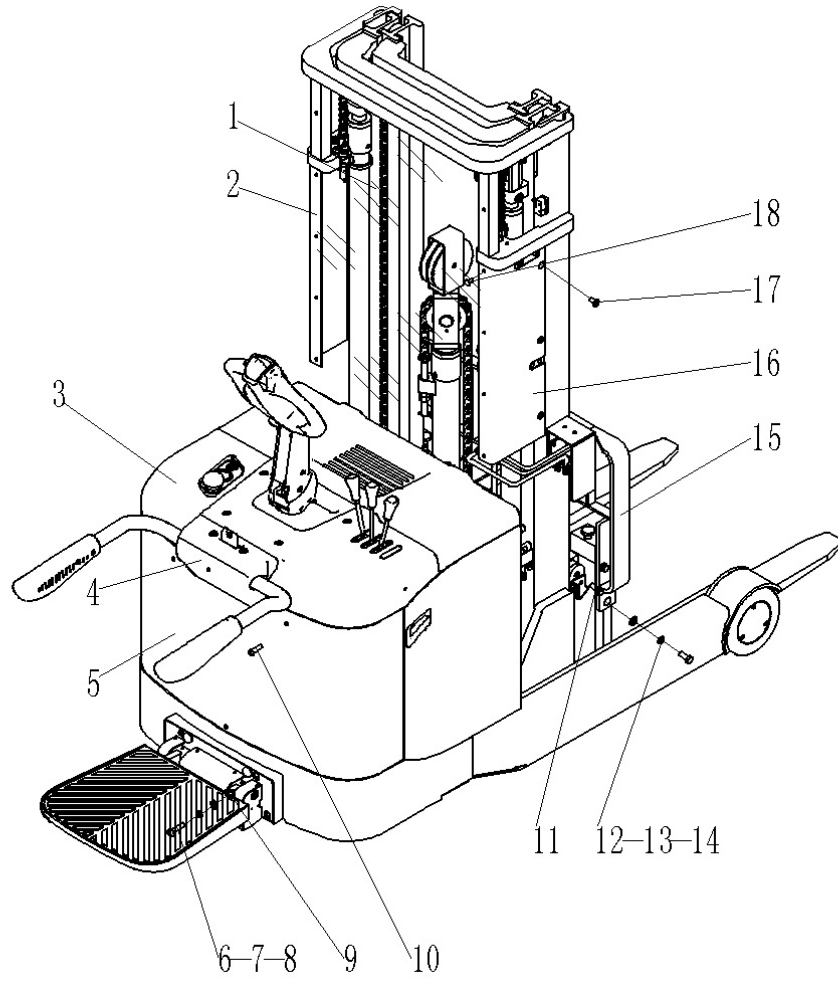


Fig. 3 Appearance (Three-stage-mast)

No.	Art No.	Description	Qty.	Note
1	9000010433	Protective glass	1	
2	9000010434	Protective glass assembly frame 2	1	
3	9000010435	Top cover	1	
4	9000008063	Protective arm cover	1	With protective arm
5	9000010436	Rear apron	1	
6	0090000450	Screw	4	M12×45
7	0090000048	Washer	4	12
8	0000025024	Washer	4	12
9	0000024006	Lock nut	4	M12
10	9000007791	Screw	9	M10×35
11	0000023941	Screw	4	M8×25
12	0000023088	Screw	4	M10×25
13	0000023006	Washer	4	10
14	0000025002	Washer	4	10
15	9000010437	Load backrest	1	
16	9000010438	Windscreen assembly frame 1	1	
17	0090000448	Screw	6	M8×20
18	9000007803	Nylon rivet	10	

Fig. 4 Appearance (Two-stage-mast)

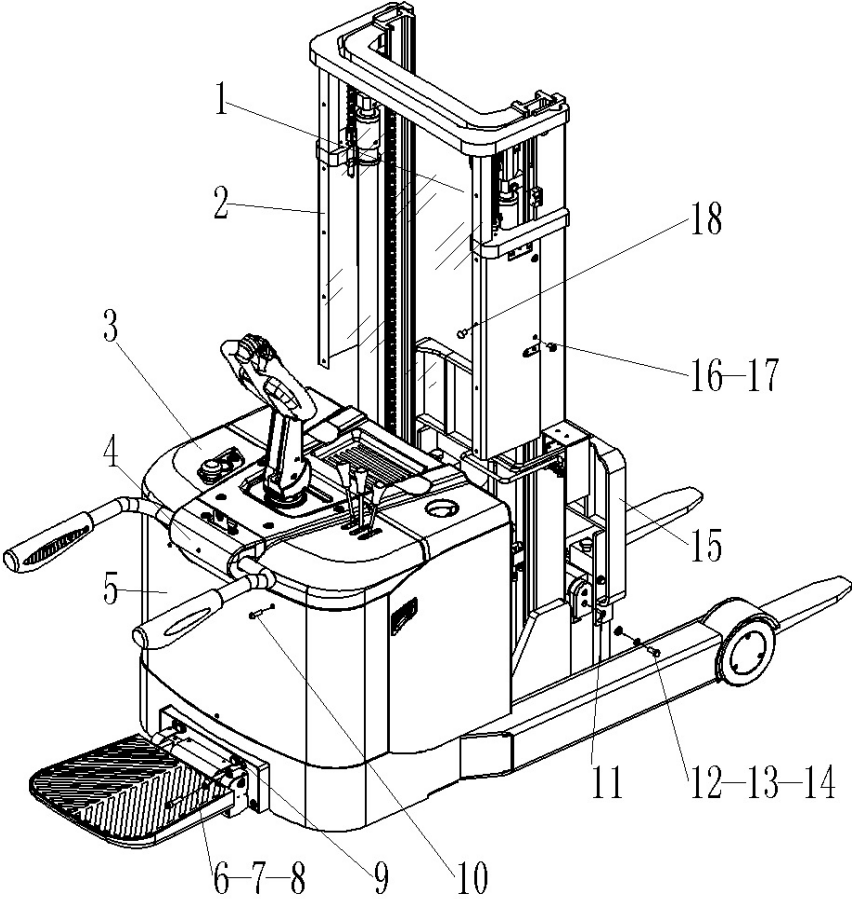


Fig. 4 Appearance (Two-stage-mast)

No.	Art No.	Description	Qty.	Note
1	9000010433	Windscreen	1	
2	9000010434	Windscreen assembly frame 2	1	
3	9000010435	Top cover	1	
4	9000008063	Protective arm cover	1	With protective arm
5	9000010436	Rear apron	1	
6	0090000450	Screw	4	M12×45
7	0090000048	Washer	4	12
8	0000025024	Washer	4	12
9	0000024006	Lock nut	4	M12
10	9000007791	Screw	9	M10×35
11	0000023941	Screw	4	M8×25
12	0000023088	Screw	4	M10×25
13	0000023006	Washer	4	10
14	0000025002	Washer	4	10
15	9000010437	Load backrest	1	
16	9000010438	Windscreen assembly frame 1	1	
17	0090000448	Screw	6	M8×20
18	9000007803	Nylon rivet	10	

Fig. 5 Appearance (One-stage-mast)

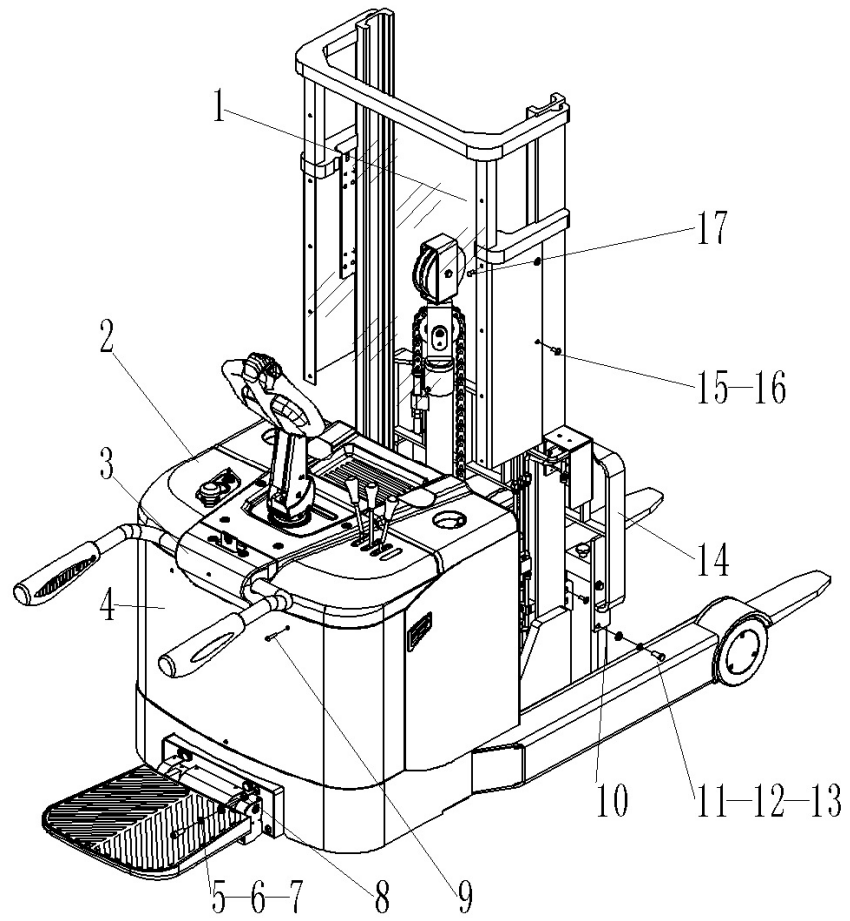


Fig. 5 Appearance (One-stage-mast)

No.	Art No.	Description	Qty.	Note
1	9000010439	Windscreen	1	
2	9000010435	Top cover	1	
3	9000008063	Protective arm cover	1	With protective arm
4	9000010436	Rear apron	1	
5	0090000450	Screw	4	M12×45
6	0090000048	Washer	4	12
7	0000025024	Washer	4	12
8	0000024006	Lock nut	4	M12
9	9000007791	Screw	9	M10×35
10	0000023941	Screw	4	M8×25
11	0000023088	Screw	4	M10×25
12	0000023006	Washer	4	10
13	0000025002	Washer	4	10
14	9000010437	Load backrest	1	
15	9000010440	Windscreen assembly frame	1	
16	0090000448	Screw	6	M8×20
17	9000007803	Nylon rivet	10	

Fig. 6 Pallet frame

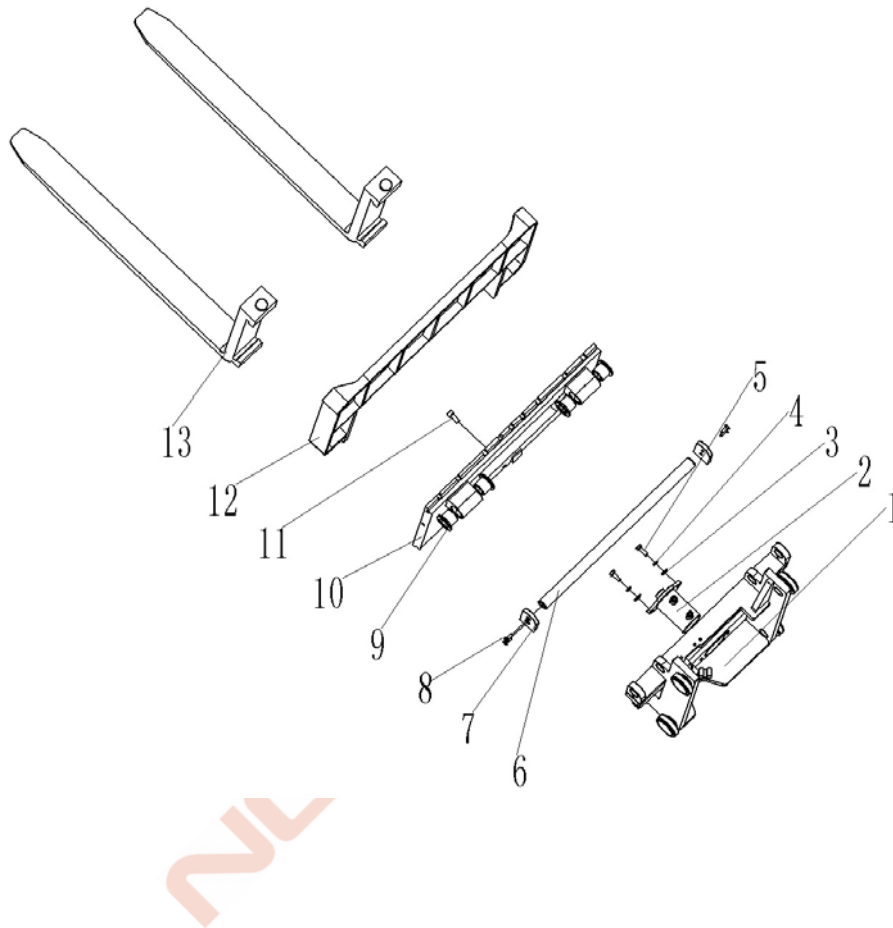


Fig. 6 Pallet Frame

No.	Art No.	Description	Qty.	Note
1	9000010441	Inner carriage	1	
2	9000010444	Tilt cylinder assembly	1	
3	0000025111	Washer	2	12
4	0000025024	Washer	2	12
5	0000023268	Screw	2	M12×30
6	9000010442	Fork axle	1	
7	9000000426	Fork axle damper	2	
8	0000023941	Screw	4	M8×25
9	9000003623	JFB bearing	4	3540
10	9000010443	Fork frame	1	
11	0000023268	Screw	1	M12×30
12	9000000446	Load backrest	1	
13	2080501001	Fork assembly	2	

NOBLIFT 诺力

Fig. 7 Pallet frame(sideways)

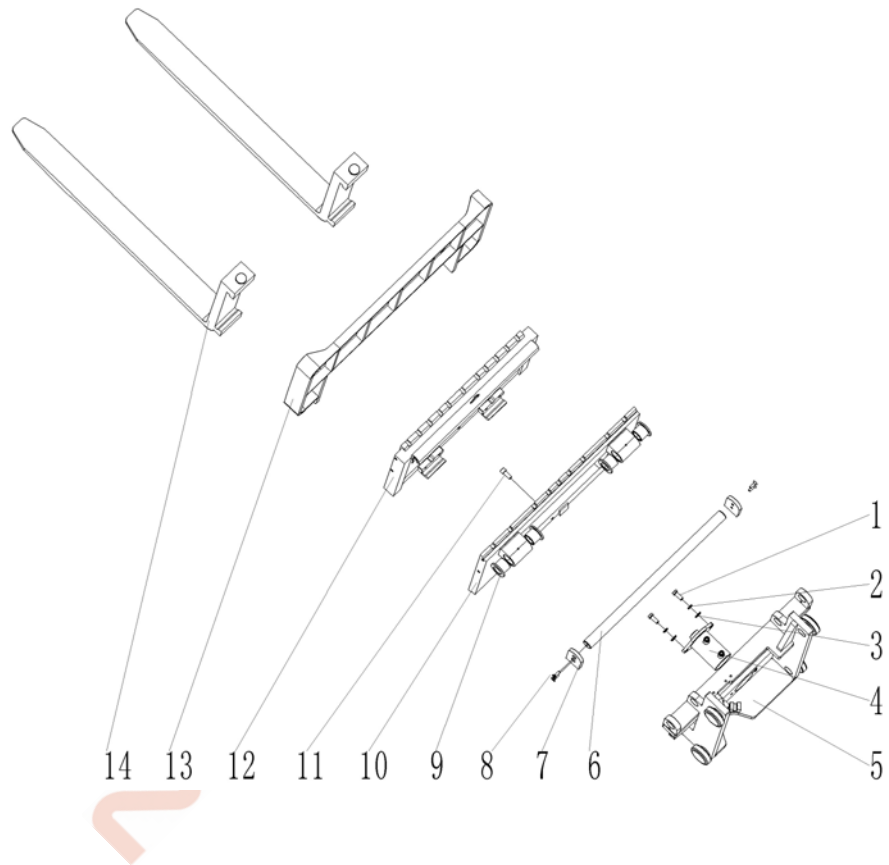
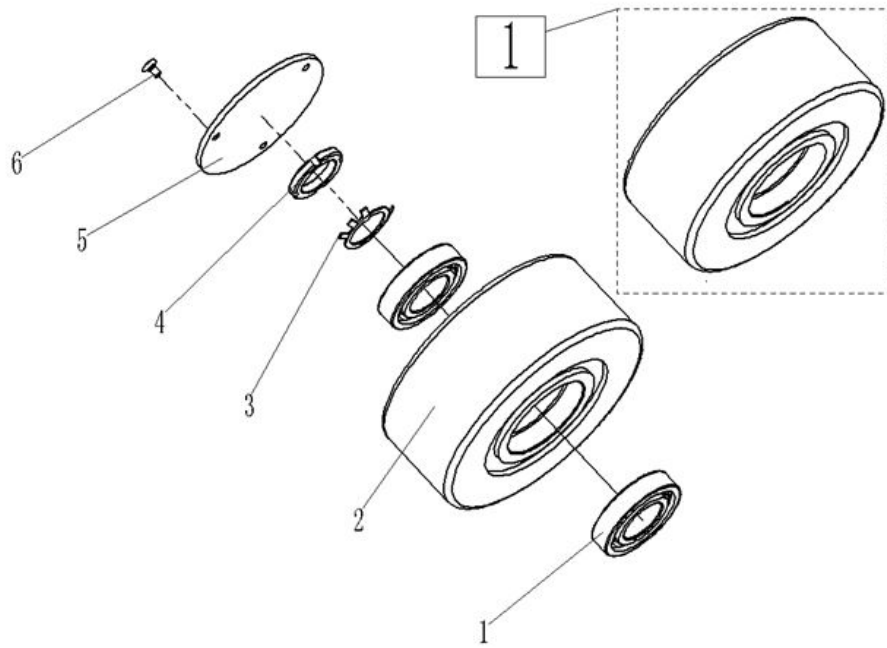


Fig. 7 Pallet Frame(sideways)

No.	Art No.	Description	Qty.	Note
1	0000023268	Screw	2	M12×30
2	0000025024	Washer	2	12
3	0000025111	Washer	2	12
4	9000010444	Tilt cylinder assembly	1	
5	9000010441	Inner carriage	1	
6	9000010442	Fork axle	1	
7	9000000426	Fork axle damper	2	
8	0000023941	Screw	4	M8×25
9	9000003623	JFB bearing	4	3540
10	9000010443	Fork frame	1	
11	0000023268	Screw	1	M12×30
12	9000010446	Side shifter	1	
13	9000000446	Load backrest	1	
14	2080501001	Fork assembly	2	

Fig. 8 Load roller



NL

Fig. 8 Load Roller

No.	Art No.	Description	Qty.	Note
1	0000027056	Bearing	2	6208
2	2090416001	Front castor	1	
3	0000024062	Washer	1	36
4	0000024060	Nut	1	M36
5	2090402003	End cap	1	
6	0000023091	Screw	3	M6×12
①	9000010447	Load roller	2	

NOBLIFT 诺力

Fig. 9 Steering wheel assembly

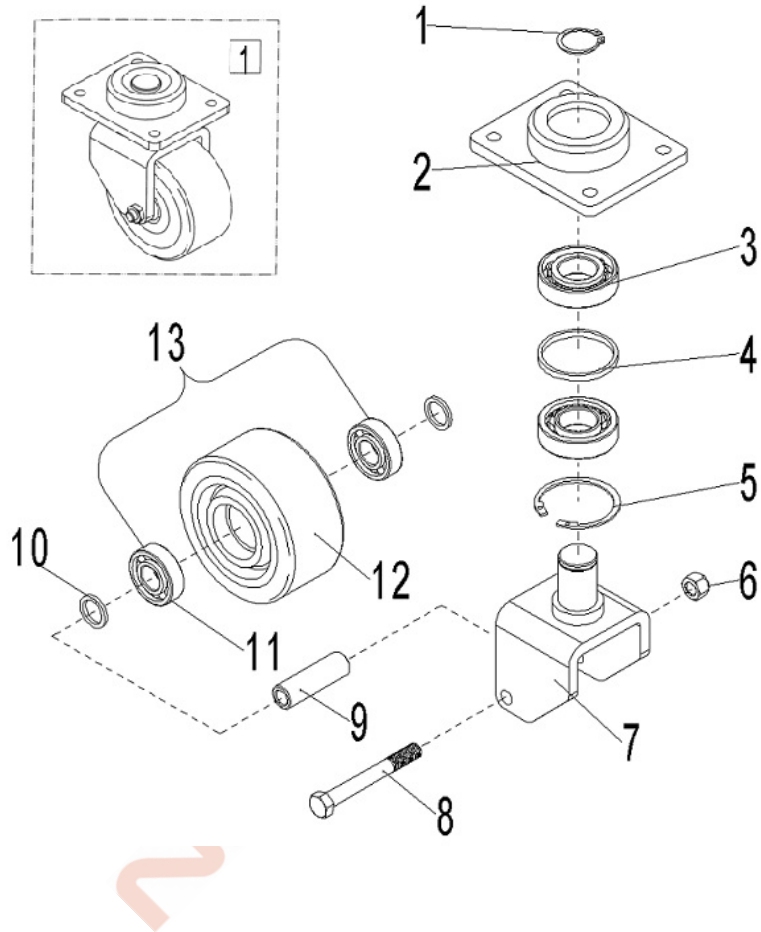


Fig. 9 Steering Wheel Assembly

No.	Art No.	Description	Qty.	Note
1	0000026008	Circlip	1	30
2	2000405001	Bearing seat	1	
3	0000027013	Bearing	2	7206C/DB
4	2000413001	Bushing	1	
5	0000026010	Circlip	1	62
6	0000024015	Lock nut	1	M14
7	2000401007	Rear castor frame	1	
8	0000023111	Bolt	1	M14×100
9	2000413002	Sleeve	1	
10	1000525001	Washer	2	
11	0000027001	Bearing	2	6204
12	2020416001	Castor	1	124×60
13	9000003638	Castor assembly	2	
①	2040400001	Steering wheel assembly	2	

Fig. 10 Mast assembly (Three-stage-mast)

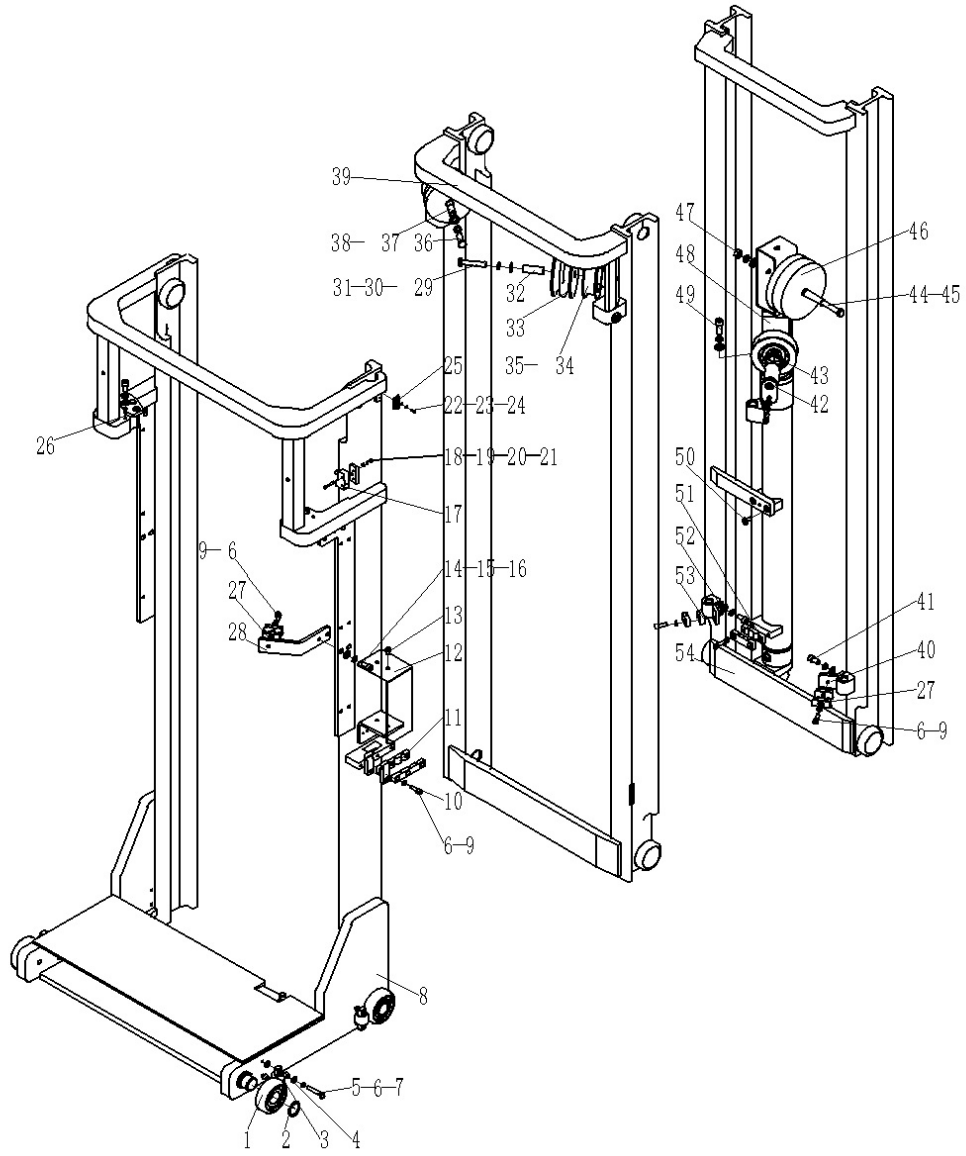


Fig. 10 Mast Assembly (Three-stage-mast)

No.	Art No.	Description	Qty.	Note
1	9000000410	Bearing	4	
2	0000026035	Circlip	4	35
3	9000003230	Side bearing	4	
4	9000000383	Side roller pad 1	8	
5	0000023427	Bolt	8	M8×50
6	0000025004	Washer	13	8
7	0000025011	Washer	13	8
8	9000010448	Mast	1	
9	0000023061	Screw	10	M8×25
10	9000011966	Steel pipe clamp 4	2	
11	9000011965	Steel pipe clamp 3	2	
12	9000010449	Oil hose protective cover	1	
13	0000023937	Screw	2	M8x12
14	0000023034	Screw	4	M10×20
15	0000023006	Washer	4	10
16	0000025002	Washer	4	10
17	3002434003	Micro switch	1	RZ-15GWF22-B3
18	0090000073	Screw	2	M4x30
19	0000025019	Washer	2	4
20	0000025009	Washer	2	4
21	0000023069	Nut		M4
22	0000023700	Screw	1	M3×6
23	0000025003	Washer	2	3
24	0000025026	Washer	2	3
25	9000008332	1.8 Magnet switch	2	HWK23
26	9000011976	Joint assembly plate	1	
27	9000011967	Steel pipe clamp 5	4	
28	9000011968	Steel pipe clamp assembly plate 1	1	
29	0000023645	Bolt	1	M12×65
30	0000025024	Washer	4	12
31	0000025032	Washer	4	12
32	9000010450	Mast pulley bushing	1	
33	9000010451	Mast pulley	1	

34	9000000404	Chain wheel bearing	3	
35	0000026014	Circlip	2	40
36	0000023184	Bolt	1	M12×40
37	9000010452	Lift pulley	1	
38	9000010453	Lift pulley bushing	1	
39	9000010454	Mast	1	
40	9000011972	Steel pipe clamp assembly plate 4	1	
41	0000023080	Screw	4	M10×16
42	9000010455	Chain wheel axle	1	
43	9000011977	Washer	2	
44	9000010456	Mast pulley bushing	2	
45	0090000416	Bolt	1	M12×90
46	9000010457	Mast pulley	1	
47	0000024047	Nut	1	M12
48	9000010445	Chain wheel frame	1	
49	0000023094	Screw	1	M12×30
50	0090000309	Screw	2	M8x20
51	9000011971	Steel pipe clamp 7	2	
52	9000011969	Steel pipe clamp assembly plate 3	1	
53	9000011970	Steel pipe clamp 6	2	
54	9000010458	Mast	1	

Fig. 11 Mast assembly (Two-stage-mast)

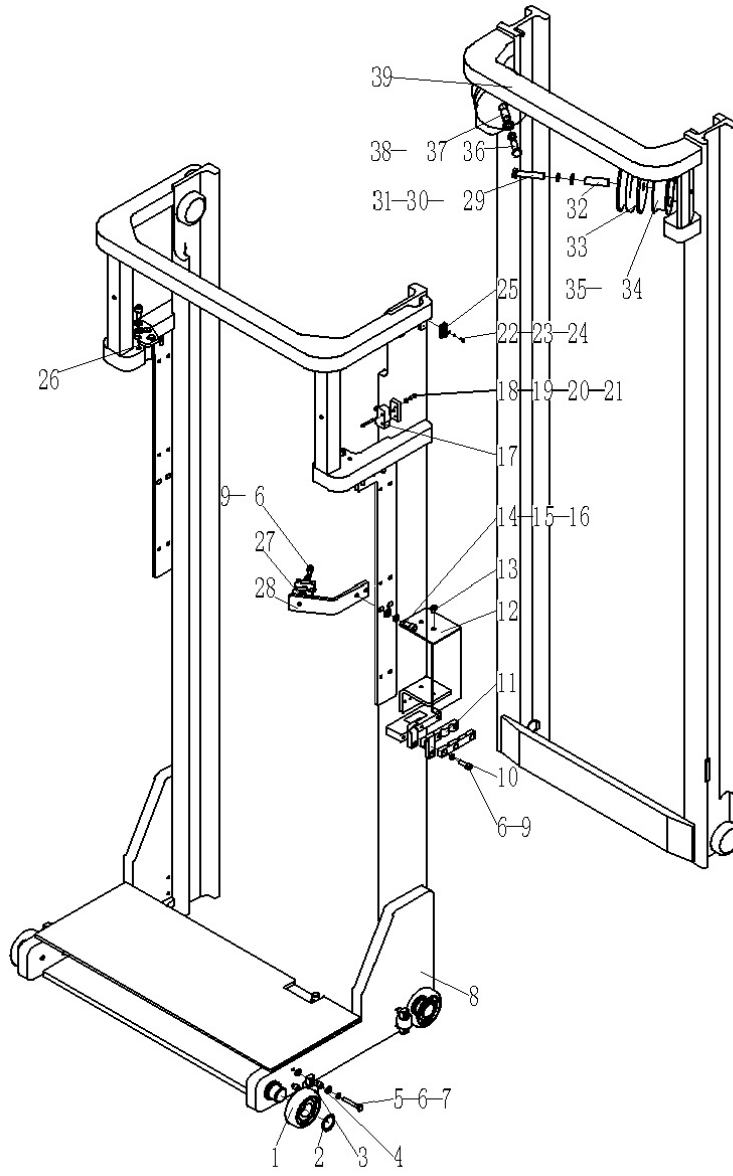


Fig. 11 Mast Assembly (Two-stage-mast)

No.	Art No.	Description	Qty.	Note
1	9000000410	Bearing	4	
2	0000026035	Circlip	4	35
3	9000003230	Side bearing	4	
4	9000000383	Side roller pad 1	8	
5	0000023427	Bolt	8	M8×50
6	0000025004	Washer	10	8
7	0000025011	Washer	10	8
8	9000010448	Mast	1	
9	0000023061	Screw	10	M8×25
10	9000011966	Steel pipe clamp 4	2	
11	9000011965	Steel pipe clamp 3	2	
12	9000010449	Oil hose protective cover	1	
13	0000023937	Screw	2	M8x12
14	0000023034	Screw	4	M10×20
15	0000023006	Washer	4	10
16	0000025002	Washer	4	10
17	3002434003	Micro switch	1	RZ-15GWF22-B3
18	0090000073	Screw	2	M4x30
19	0000025019	Washer	2	4
20	0000025009	Washer	2	4
21	0000023069	Nut		M4
22	0000023700	Screw	1	M3×6
23	0000025003	Washer	2	3
24	0000025026	Washer	2	3
25	9000008332	1.8M Magnet switch	2	HWK23
26	9000011976	Joint assembly plate	1	
27	9000011967	Steel pipe clamp 5	4	
28	9000011968	Steel pipe clamp assembly plate 1	1	
29	0000023645	Bolt	1	M12×65
30	0000025024	Washer	4	12
31	0000025032	Washer	4	12
32	9000010450	Mast pulley bushing	1	
33	9000010451	Mast pulley	1	

34	9000000404	Chain wheel axle	3	
35	0000026014	Circlip	2	40
36	0000023184	Bolt	1	M12×40
37	9000010452	Lift pulley	1	
38	9000010453	Lift pulley bushing	1	
39	9000010459	Mast	1	

NOBU LIFT 诺力

Fig. 12 Mast Assembly (One-stage-mast)

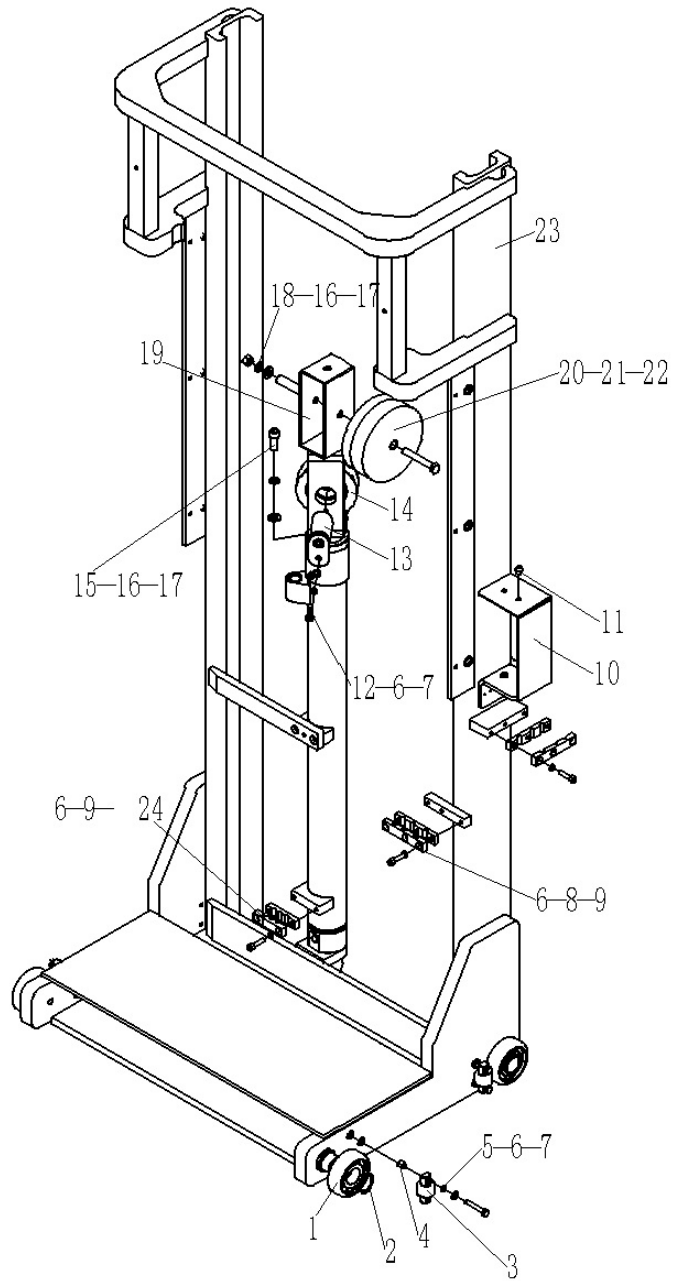


Fig. 12 Mast Assembly (One-stage-mast)

No.	Art No.	Description	Qty.	Note
1	9000000410	Bearing	4	
2	0000026035	Circlip	4	35
3	9000003230	Side bearing	4	
4	9000000383	Side roller pad 1	8	
5	0000023427	Bolt	8	M8×50
6	0000025004	Washer	11	8
7	0000025011	Washer	11	8
8	9000011965	Steel pipe clamp 3	4	
9	0000023061	Screw	8	M8×25
10	9000010449	Oil hose protective cover	1	
11	0000023937	Screw	2	M8x12
12	0000023047	Screw	1	M8×25
13	9000010455	Chain wheel axle	1	
14	9000000404	Chain wheel bearing	1	
15	0000023096	Bolt	1	M12×30
16	0000025024	Washer	2	12
17	0000025032	Washer	2	12
18	0000024047	Nut	1	M12
19	9000010445	Chain wheel frame	1	
20	9000010457	Mast pulley	1	
21	9000010456	Mast pulley bushing	1	
22	0000023589	Bolt	1	M12×80
23	9000010461	Mast	1	
24	9000011971	Steel pipe clamp 7	1	

Fig. 13 Battery cover

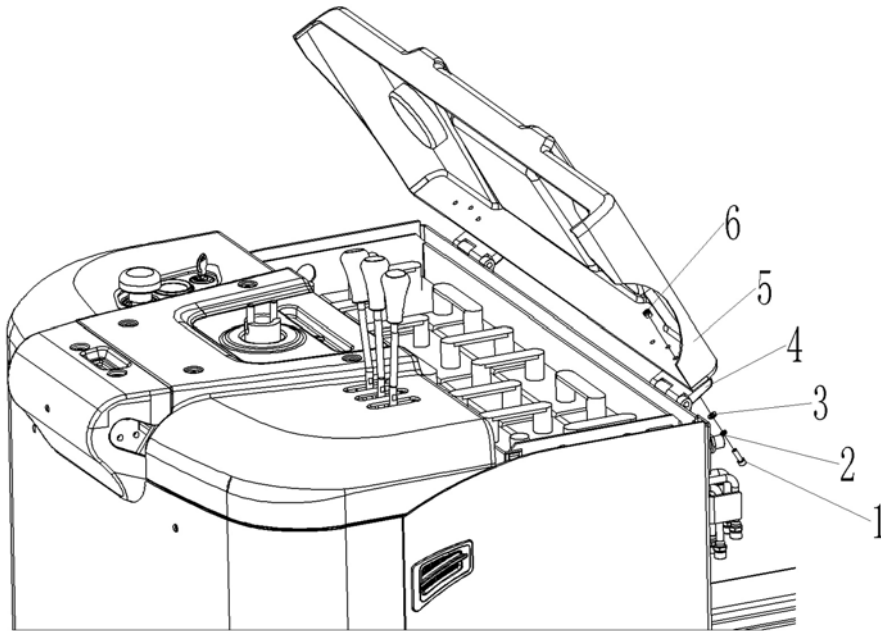


Fig. 13 Battery Cover

No.	Art No.	Description	Qty.	Note
1	0000023040	Screw	12	M6×16
2	0000025010	Washer	12	6
3	0000023055	Washer	12	6
4	9000010462	Hinge	2	
5	9000008008	Battery cover	1	
6	0000024101	Lock nut	12	M6

NOBLIFT 诺力

Fig. 14 Truck body

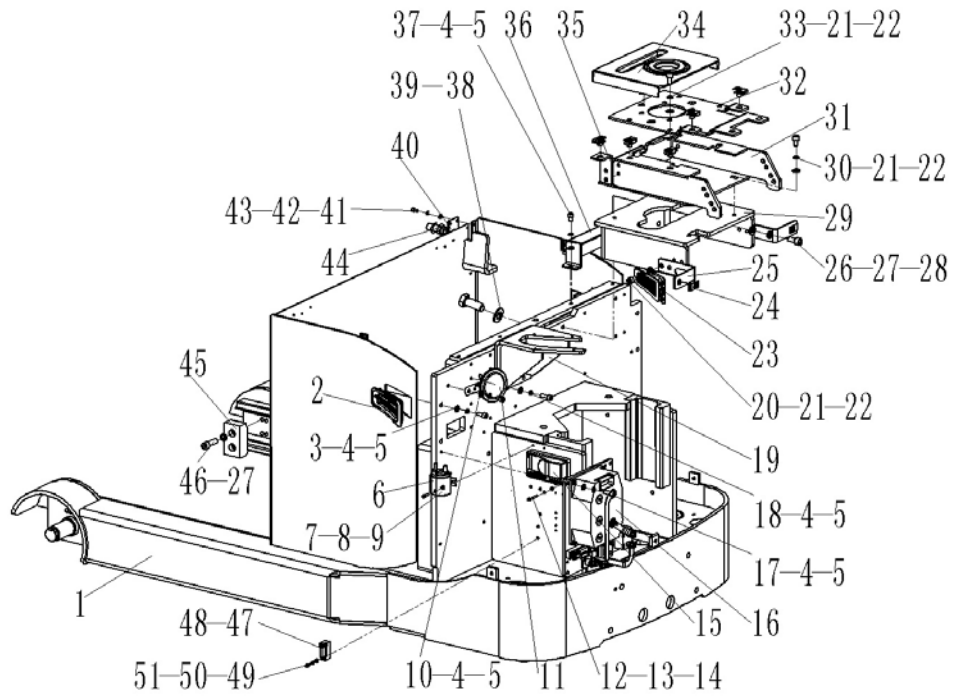


Fig. 14 Truck Body

No.	Art No.	Description	Qty.	Note
1	9000010557	Truck body	1	
2	9000007920	Vent hole L	1	
3	0000023044	Screw	4	M8×20
4	0000025001	Washer	13	8
5	0000025011	Washer	13	8
6	9000007858	Lifting contactor	1	
7	0000023566	Bolt	2	M5×16
8	0000025015	Washer	2	5
9	0000025014	Washer	2	5
10	0000023067	Screw	1	M8×16
11	9000003230	Horn	1	
12	0090000082	Screw	2	M4×30
13	0000025018	Washer	2	4
14	0000025019	Washer	2	4
15	9000010463	Steering controller	1	
16	9000010464	Electrical assembly	1	
17	0000023047	Screw	2	M8×25
18	0000023172	Screw	4	M8×30
19	9000010465	Indicator frame	1	
20	0000023080	Screw	4	M10×16
21	0000023006	Washer	16	10
22	0000025002	Washer	16	10
23	9000007923	Vent hole R	1	
24	9000007783	Nut	11	M10
25	9000010466	Rear apron fixing frame	2	
26	0000023156	Screw	4	M12×25
27	0000025024	Washer	5	12
28	0000025032	Washer	4	12
29	9000010467	Support linking seat	1	
30	0000023080	Screw	4	M10×16
31	9000010468	Top cover linking seat	1	
32	9000010469	Handle supporting board	1	
33	0000023034	Screw	4	M10×20
34	9000007995	Middle cover	1	

35	9000010470	Top cover fixing frame	2	
36	9000010471	Valve protecting cover	1	
37	0000023089	Screw	2	M8×12
38	0000023102	Screw	1	M16×55
39	0000025059	Washer	1	16
40	9000010472	Joint assembly board	1	
41	0000023042	Screw	4	M6×10
42	0000025010	Washer	4	6
43	0000023055	Washer	4	6
44	9000010473	Joint	1	
45	9000010556	Damping pad	2	
46	0000023509	Screw	4	M12×40
47	1000434040	Fuse	1	10A
48	1000434021	Fuse seat	1	BD-1×10A
49	0000023858	Screw	2	M3×10
50	0000025003	Washer	2	3
51	0000025026	Washer	2	3

Fig. 15 Truck body(side pulling battery)

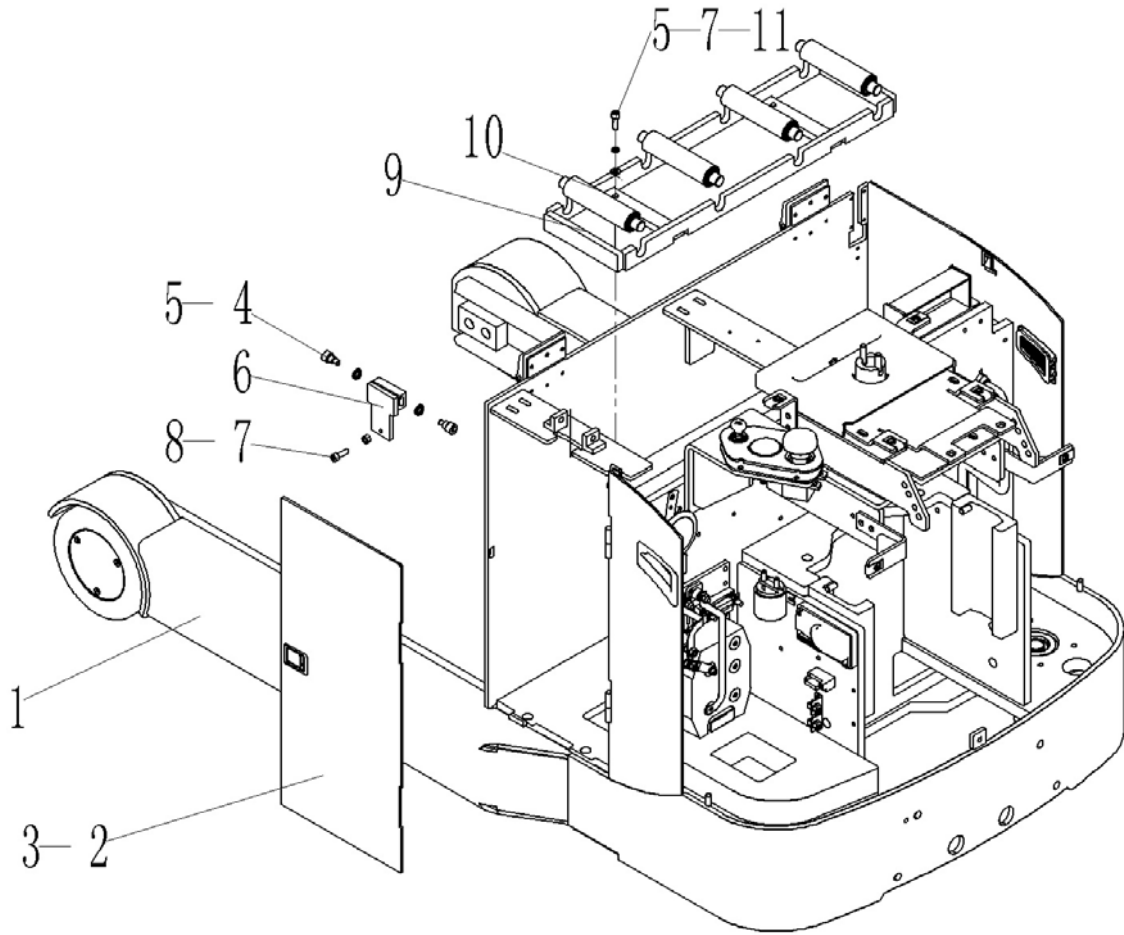


Fig. 14 Truck Body (side pulling battery)

No.	Art No.	Description	Qty.	Note
1	9000011987	Truck body	1	
2	9000011988	Left door plank	1	
3	9000007807	Panel lock	2	
4	9000008007	Battery damper spindle	2	
5	0000025024	Washer	6	12
6	9000008006	Battery damper	1	
7	0000023047	Screw	2	M8×25
8	0000024047	Nut		M12
9	9000011989	Battery frame	1	
10	9000011990	Battery barrel	4	
11	0000025032	Washer	4	12

NOBU LIFT 诺力

Fig. 16 Drive system

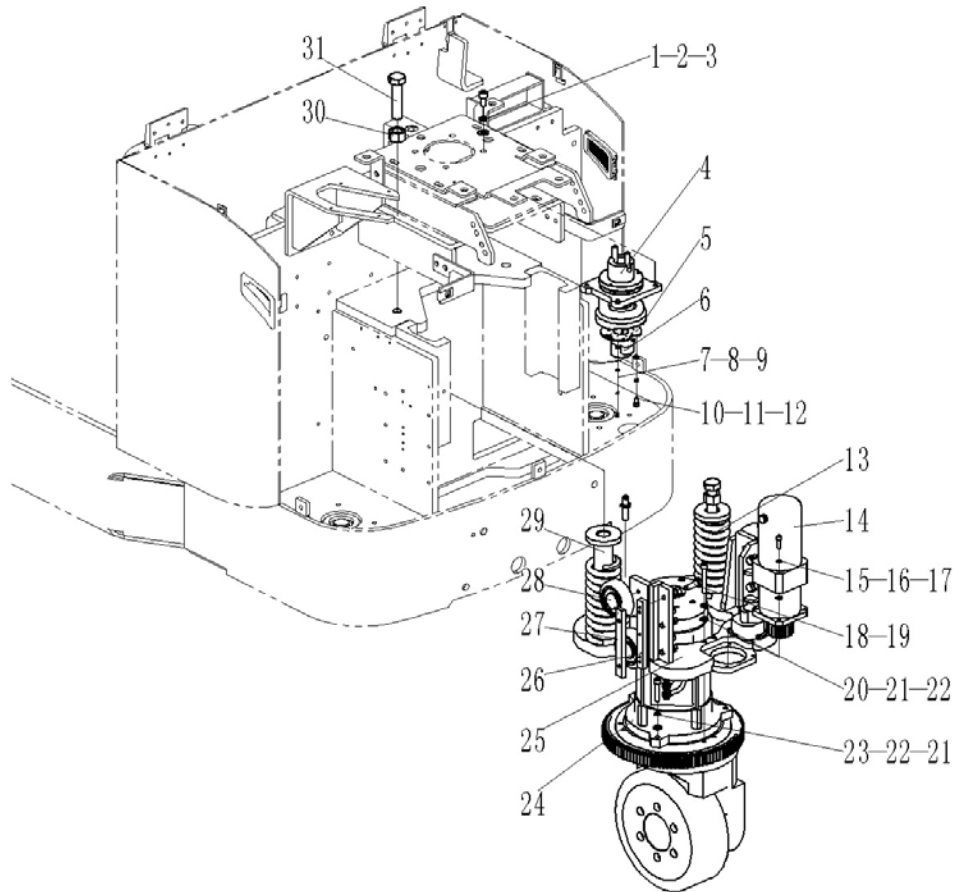


Fig. 16 Drive System

No.	Art No.	Description	Qty.	Note
1	0000023034	Screw	4	M10×20
2	0000023006	Washer	4	10
3	0000025002	Washer	4	10
4	9000010474	Electrical steering assembly	1	
5	9000007693	Potentiometer fixing plate	1	
6	9000008449	Direction sensor	1	PCS-360
7	0090000554	Screw	3	M3×8
8	0000025003	Washer	3	3
9	0000025026	Washer	3	3
10	0000023076	Screw	3	M5×12
11	0000025015	Washer	3	5
12	0000025014	Washer	3	5
13	9000000554	Spring	2	
14	9000010475	Electrical steering drive unit	1	
15	0000023020	Screw	4	M6×20
16	0000025010	Washer	4	6
17	0000023055	Washer	4	6
18	0000023469	Bolt	2	M20×100
19	0090000028	Nut	2	M20
20	0090000005	Screw	6	M8×55
21	0000025001	Washer	9	8
22	0000025011	Washer	9	8
23	0000023077	Screw	3	M8×40
24	9000010476	Drive unit	1	
25	9000010477	Drive wheel frame	1	
26	9000010478	Spherical hinge assembly board	2	
27	9000010479	JDBS spherical hinge	2	
28	9000010480	Bearing	4	
29	9000000555	Spring guide pillar	2	
30	0090000028	Nut	2	M20
31	0000023469	Bolt	2	M20×100

Fig.17 Drive unit

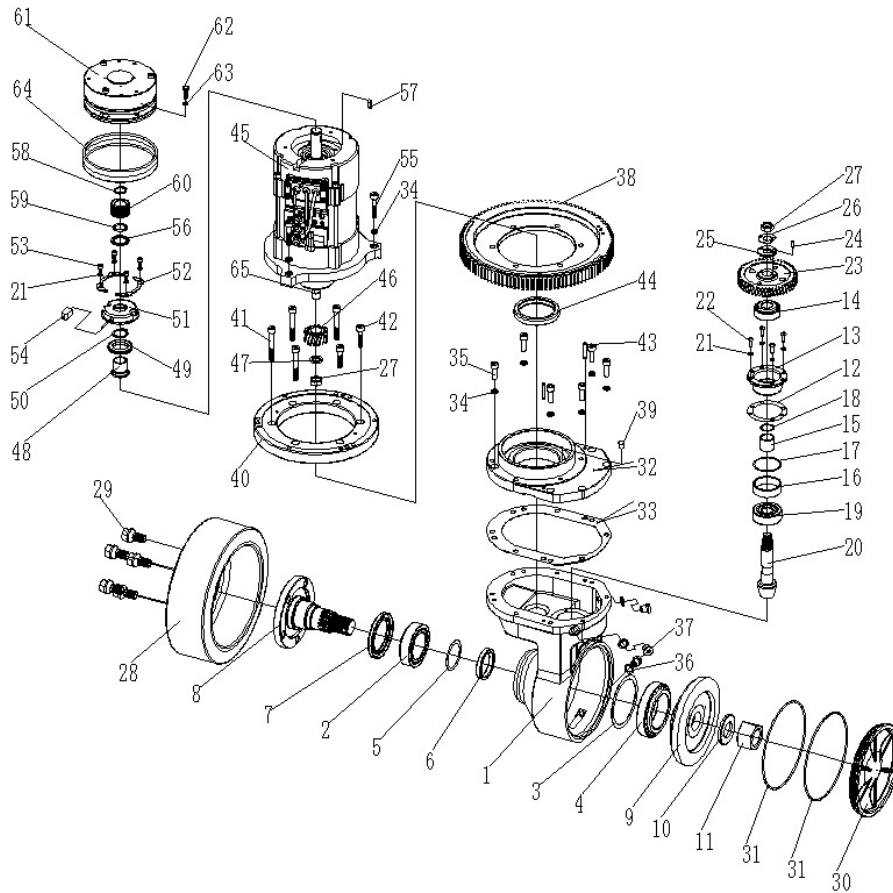


Fig. 17 Drive Unit

No.	Art No.	Description	Qty.	Note
1	9000009730	Gear box	1	
2	0090000519	Bearing	1	33010
3	9000009731	Adjusting washer	1	
4	0090000145	Bearing	1	32013
5	9000009732	Adjusting washer	1	
6	9000009733	Bushing	1	
7	0090000520	Oil seal	1	60×85×8
8	9000009734	Drive wheel	1	
9	9000009735	Gear	1	
10	9000009736	Lock washer	1	
11	0090000527	Nut	1	M30×2
12	9000009737	Adjusting washer	1	
13	9000009507	Bearing seat	1	
14	0090000503	Bearing	1	32204
15	9000009504	Sleeve	1	
16	9000009503	Sleeve	1	
17	9000009505	Adjusting washer	1	
18	9000009506	Adjusting washer	1	
19	0090000502	Bearing	1	32304
20	9000009738	Gear	1	
21	0000025015	Washer	8	5
22	0000023675	Screw	4	M5×16
23	9000009739	Gear	1	
24	0090000117	Dowel pin	1	4×12
25	9000009509	Washer	1	
26	0000025066	Washer	1	14
27	0090000090	Nut	2	M14×1.5
28	2390200005	Drive wheel	1	
29	2390223001	Screw	5	

30	9000009740	Side cover	1	
31	0090000521	O seal cover	2	160×2.65
32	9000009741	Upper cover	1	
33	9000009742	Paper washer	1	
34	0000025001	Washer	9	8
35	0000023047	Screw	6	M8×25
36	0000022036	Seal washer	3	12
37	0090000506	Screw plug	3	M12×1.25
38	9000009743	Steering gear	1	
39	9000009744	Vent plug	1	
40	9000009745	Rotating support	1	
41	0090000525	Screw	4	M8×60
42	0000023455	Screw	2	M8×35
43	0000028027	Dowel pin	2	6×30
44	0090000151	Oil seal	1	65×82×12
45	9000009746	Motor	1	
46	9000009747	Gear	1	
47	0090000522	Washer	1	14
48	9000009748	Sleeve	1	
49	9000009523	Gear	1	
50	0000026013	Circlip	1	25
51	9000009524	Sensor	1	
52	9000009522	Flange	2	
53	0000023311	Screw	4	M5×10
54	9000008854	Bushing	1	
55	0000023077	Screw	3	M8×40
56	9000009525	Spacer	1	
57	0000036001	Flat key	1	A 6×16
58	0000026003	Circlip	1	20
59	0000022059	Seal ring	1	20×2.65
60	9000009749	Bushing	1	

61	9000009750	Brake	1	
62	0090000526	Bolt	3	M6×20
63	0000025010	Washer	3	6
64	9000009521	Dust cover	1	
65	0090000523	Key	1	4×6.5×16

NOBLIFT 诺力

Fig.18 Steering unit (STDC 2032)

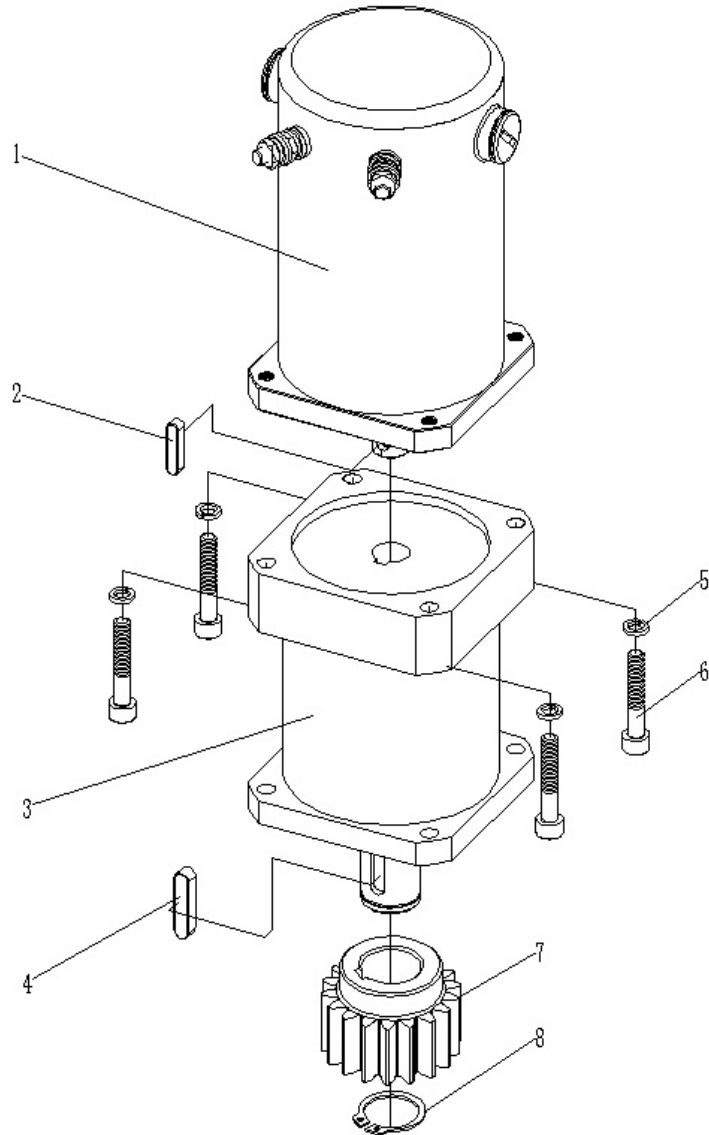


Fig. 18 Steering Unit (20 STDC 2032)

No.	Art No.	Description	Qty.	Note
1	9000009208	Motor	1	
2	0090000524	Flat key	1	A 5×22
3	9000009751	Gear box	1	
4	0090000118	Flat key	1	A 6×28
5	0000025010	Washer	4	6
6	0000023090	Screw	4	M6×35
7	9000009727	Gear	1	
8	0000026040	Circlip	1	22

NOBUFT 诺力

Fig. 19 Controller assembly

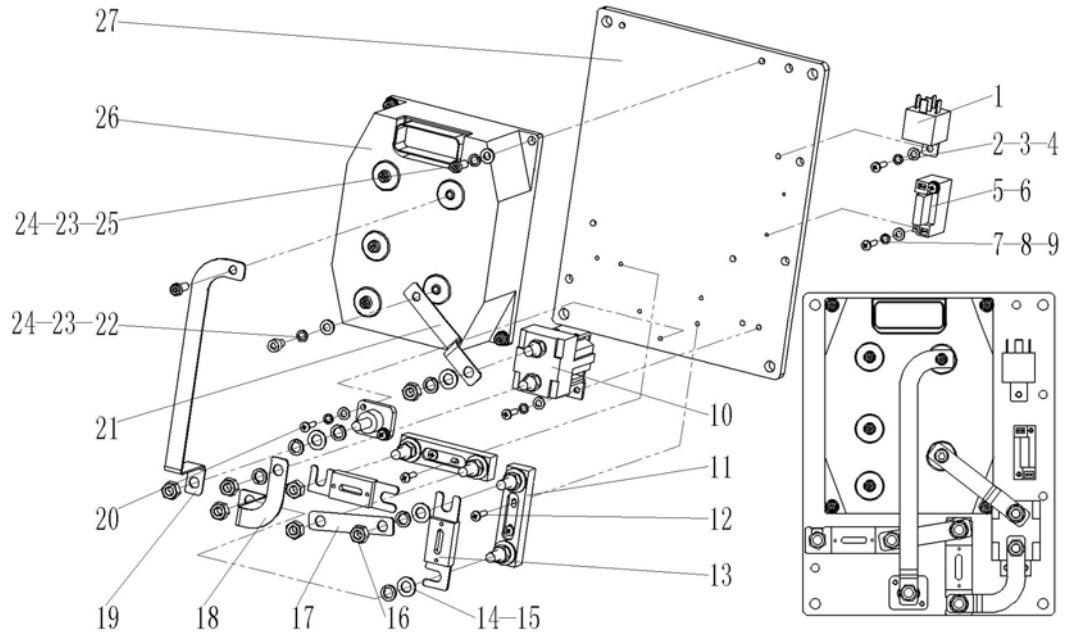


Fig. 19 Controller assembly

No.	Art No.	Description	Qty.	Note
1	1000434041	Pump contactor	1	
2	0000023516	Screw	3	M5×10
3	0000025015	Washer	3	
4	0000025014	Washer	3	5
5	1000434040	Fuse	1	10A
6	1000434021	Fuse seat	1	BD-1×10A
7	0000023573	Screw	2	M3×10
8	0000025003	Washer	6	3
9	0000025026	Washer	6	3
10	1000434006	Traction motor contactor	1	C100/120 DC24V
11	1000434007	Fuse seat	2	
12	0000023211	Screw	2	
13	2210434004	Fuse	1	150A
14	0000024112	Nut	13	M8
15	0000025001	Washer	14	8
16	0000025011	Washer	4	8
17	9000010481	Copper bar 一	1	
18	9000010482	Copper bar 三	1	
19	9000010483	Copper bar 四	1	
20	0000023211	Screw	2	M4×14
21	9000010484	Copper bar 二	1	
22	0000023042	Screw	3	M6×10
23	0000025010	Washer	7	6
24	0000023055	Washer	7	6
25	0000023040	Screw	7	M6×16
26	9000000235	Controller	1	CURTIS1232E-2121
27	9000010485	Aluminum	1	

Fig. 20 Main wire

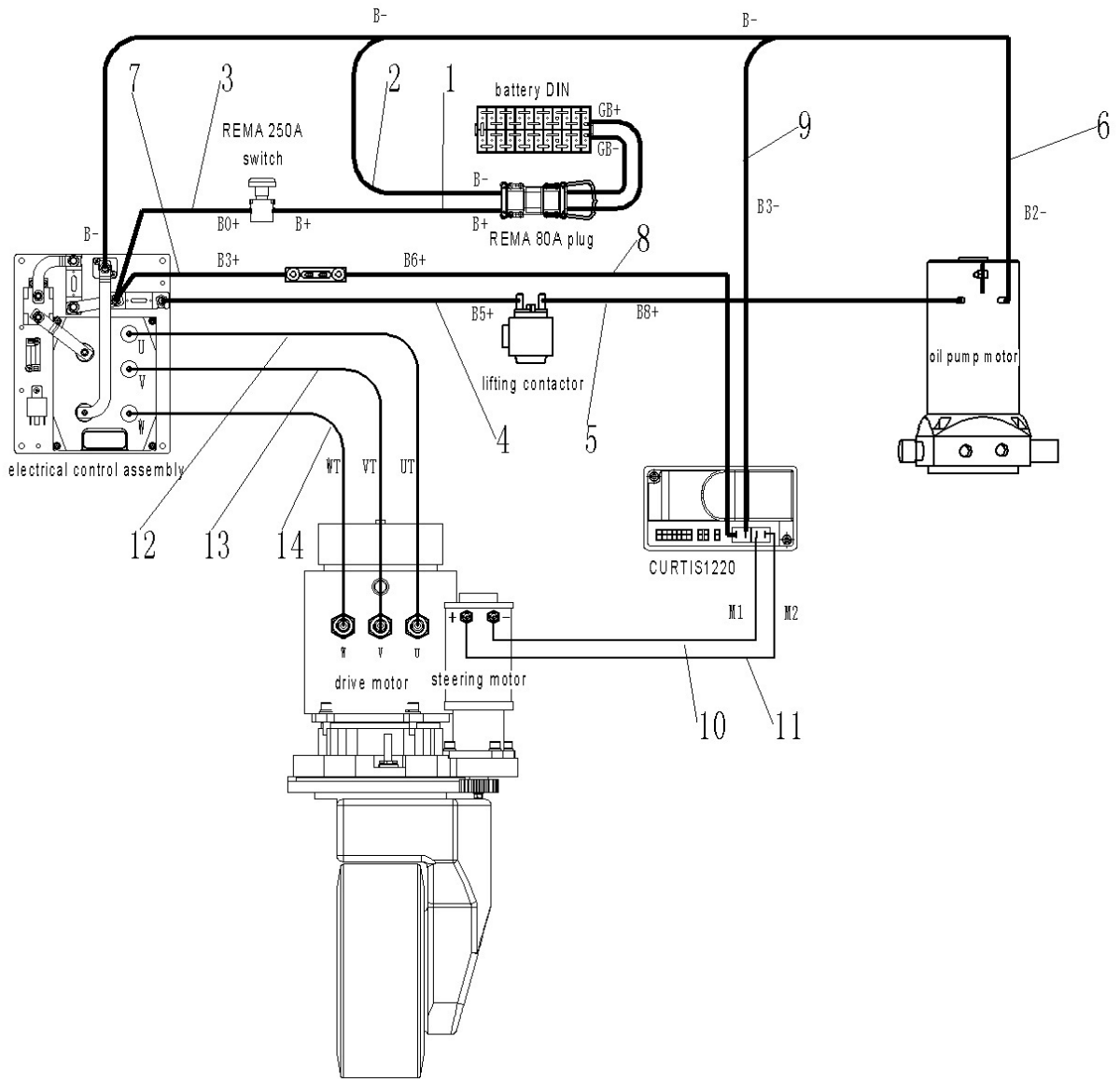


Fig. 20 Main Wire

No.	Art No.	Description	Qty.	Note
1	9000010487	B+	1	
2	9000010486	B-	1	
3	9000010488	B0+	1	
4	9000010489	B5+	1	
5	9000010490	B8+	1	
6	9000010491	B2-	1	
7	9000010492	B3+	1	
8	9000010493	B6+	1	
9	9000010494	B3-	1	
10	9000010495	M1	1	
11	9000010496	M2	1	
12	9000010497	UT	1	
13	9000010498	VT	1	
14	9000010499	WT	1	

NOBLIFT 诺尔

Fig. 21 Indicator assembly

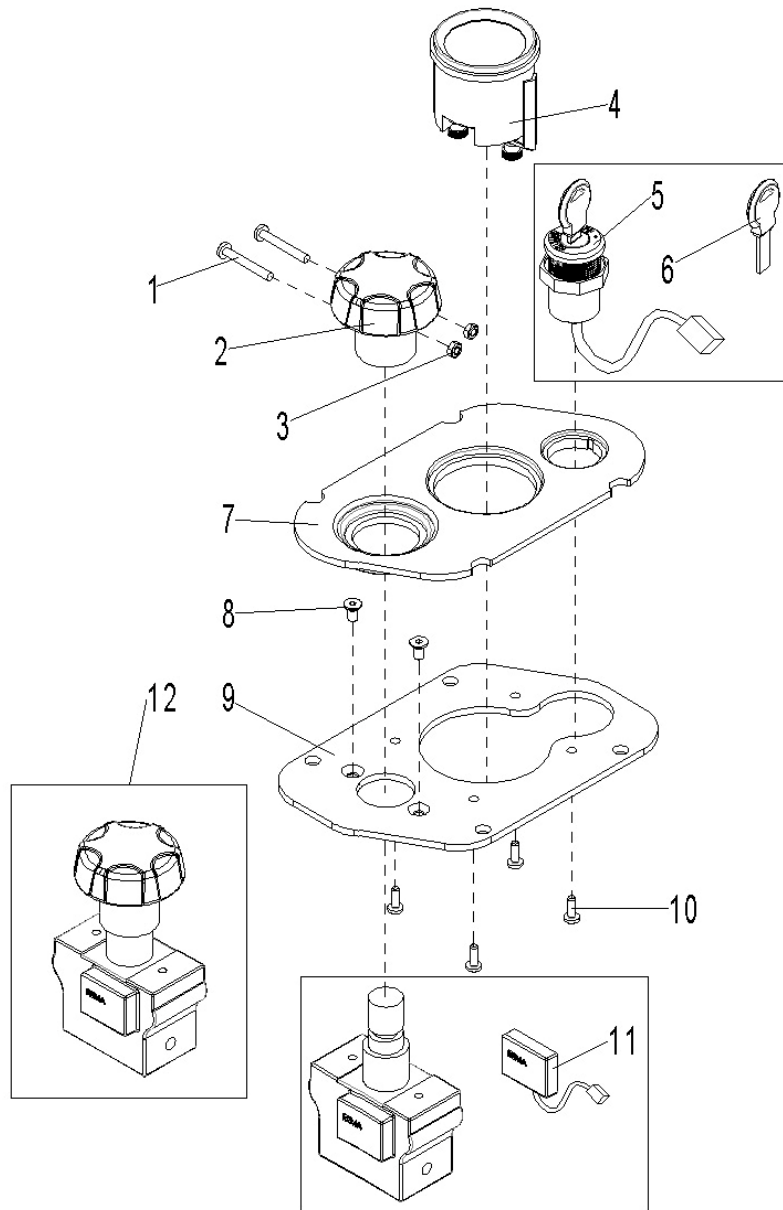


Fig. 21 Indicator Assembly

No.	Art No.	Description	Qty.	Note
1	0000023685	Screw	2	M3×25
2	9000008516	Emergency stop button	1	
3	0000024002	Nut	2	M3
4	9000000760	Indicator	1	MDI CAN
5	9000008326	Key switch	1	
6	9000008519	Key	1	
7	9000007938	Plastic board	1	
8	0000023215	Screw	2	M5×10
9	9000007939	Fixing board	1	
10	0090000272	Screw	4	M4×12
11	9000008517	Proximity switch	1	
12	9000008515	DC power switch	1	

NOBUFT 诺力

Fig. 22 Electrical steering assembly

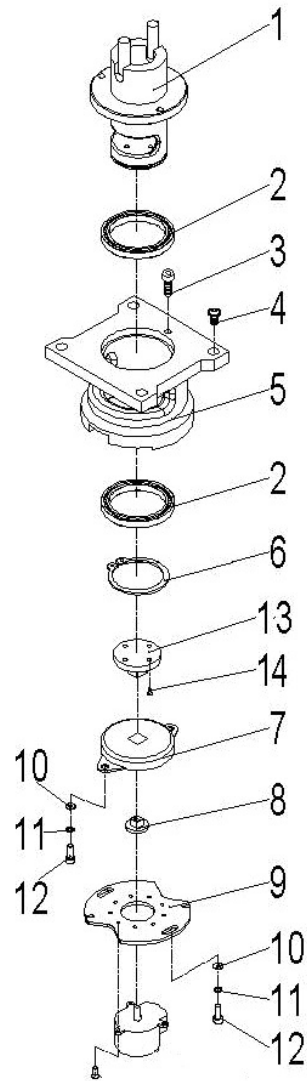


Fig. 22 Electrical Steering Assembly

No.	Art No.	Description	Qty.	Note
1	9000007422	Axle seat	1	
2	9000000240	Bearing	2	61810
3	0000023042	Screw	3	M6×10
4	0000023034	Screw	4	M10×20
5	9000007423	Fixing seat	1	
6	0000026043	Circlip	1	50
7	9000007806	Damper	1	
8	9000008736	Transitional linking block	1	
9	9000008735	Potentiometer fixing plate	1	
10	0000023032	Washer	4	5
11	0000025015	Washer	4	5
12	0000023311	Screw	4	M5×10
13	9000007424	Linking block	1	
14	0000023073	Screw	4	M4×10

Fig. 23 Lifting cylinder assembly (Three-stage-mast)

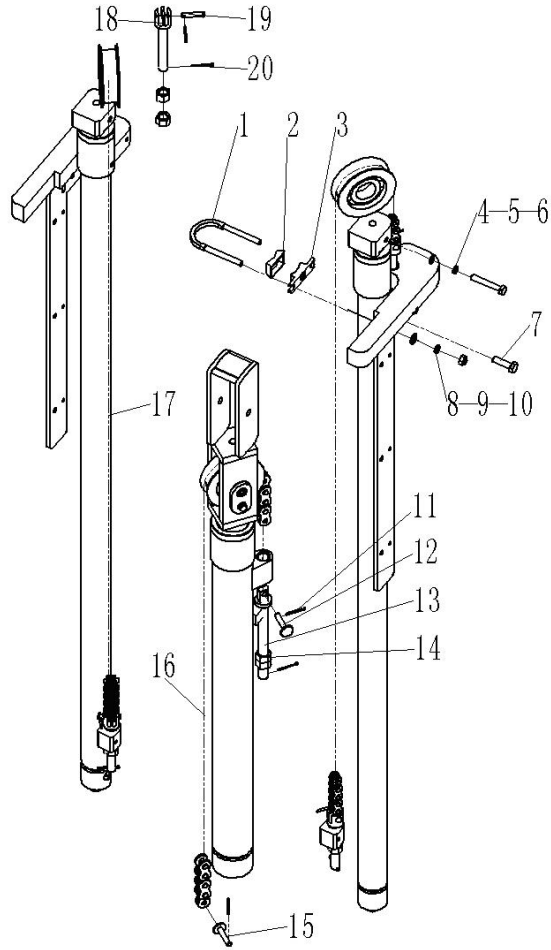


Fig. 23 Lifting Cylinder Assembly (Three-stage-mast)

No.	Art No.	Description	Qty.	Note
1	9000004496	Cylinder fixing ring	2	
2	3008018001	Rubber bushing	2	
3	3008005001	Cylinder fixing seat	2	
4	0000023856	Bolt	2	M10×65
5	0000023006	Washer	2	10
6	0000025002	Washer	2	10
7	0090000353	Bolt	2	M12×40
8	0000024065	Nut	4	M10
9	0000023006	Washer	4	10
10	0000025002	Washer	4	10
11	0000028039	Split pin	11	3.2×16
12	3068002014	Pin roll	1	
13	3068006002	Chain joint 1	1	
14	0090000442	Nut	10	M16×1.5
15	9000010500	Chain pin roll	1	
16	0090000371	Chain	1	LH1623×56
17	0000000011	Chain	2	LH1234×103
18	2000312001	Chain pulling rod 150	4	
19	0000028014	Pin roll	4	8×40
20	0090000014	Split pin	4	3.2×30

Fig. 24 Lifting assembly (Two-stage-mast)

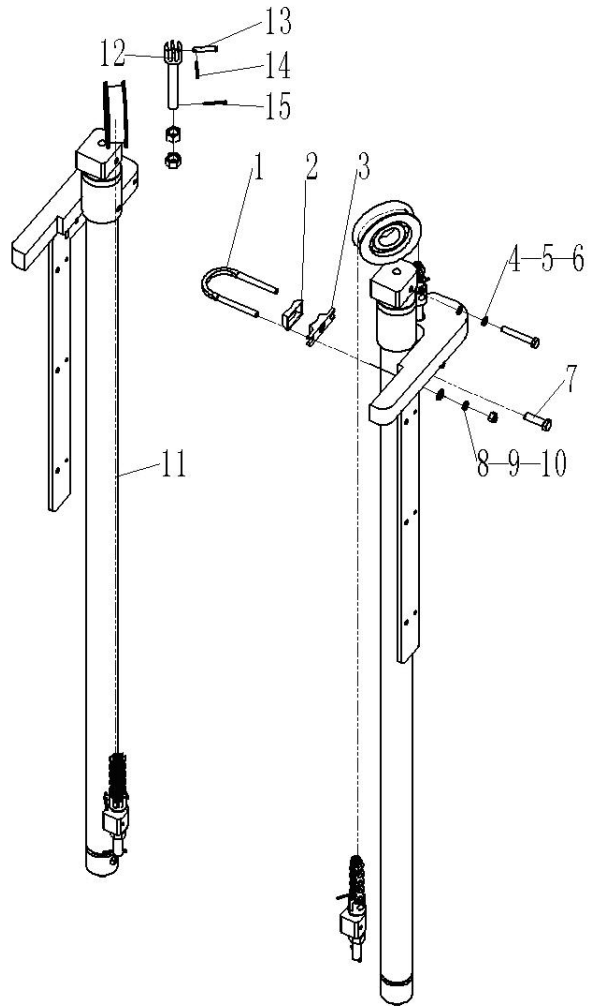


Fig. 24 Lifting Assembly (Two-stage-mast)

No.	Art No.	Description	Qty.	Note
1	9000004496	Cylinder fixing ring	2	
2	3008018001	Rubber bushing	2	
3	3008005001	Cylinder fixing seat	2	
4	0000023856	Bolt	2	M10×65
5	0000023006	Washer	2	10
6	0000025002	Washer	2	10
7	0090000353	Bolt	2	M12×40
8	0000024065	Nut	4	M10
9	0000023006	Washer	4	10
10	0000025002	Washer	4	1
11	0000000011	Chain	2	LH1234×103
12	2000312001	Chain pulling rod 150	4	
13	0000028014	Pin roll	4	8×40
14	0000028039	Split pin	4	3.2×16
15	0090000014	Split pin	4	3.2×30

Fig. 25 Lifting assembly (One-stage-mast)

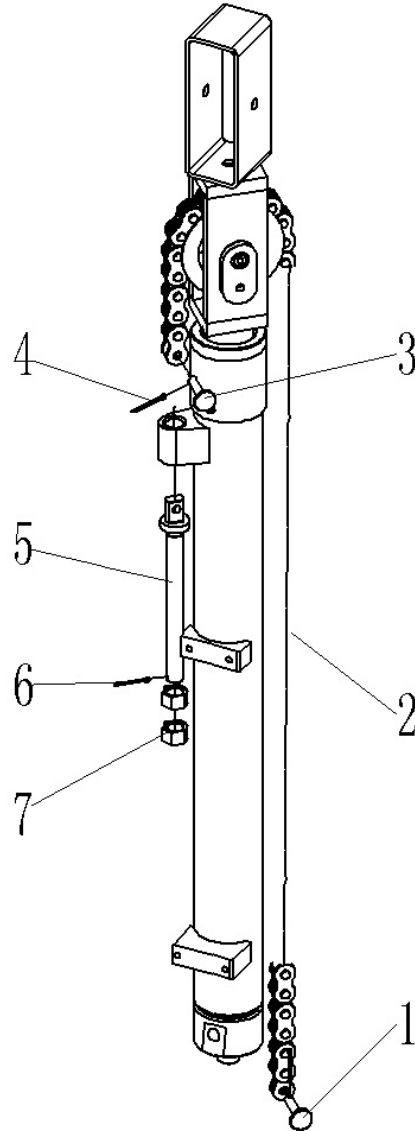


Fig. 25 Lifting Assembly (One-stage-mast)

No.	Art No.	Description	Qty.	Note
1	9000010500	Chain pin roll	1	
2	0090000623	Chain	1	LH1623×58
3	3068002014	Pin roll	1	
4	0090000014	Split pin	3	3.2×30
5	3068006002	Chain joint	1	
6	0000024185	Nut	2	M18×1.5

NOBLIFT 诺力

**Fig. 26 Lifting, reach forward hydraulic system
(Three-stage-mast)**

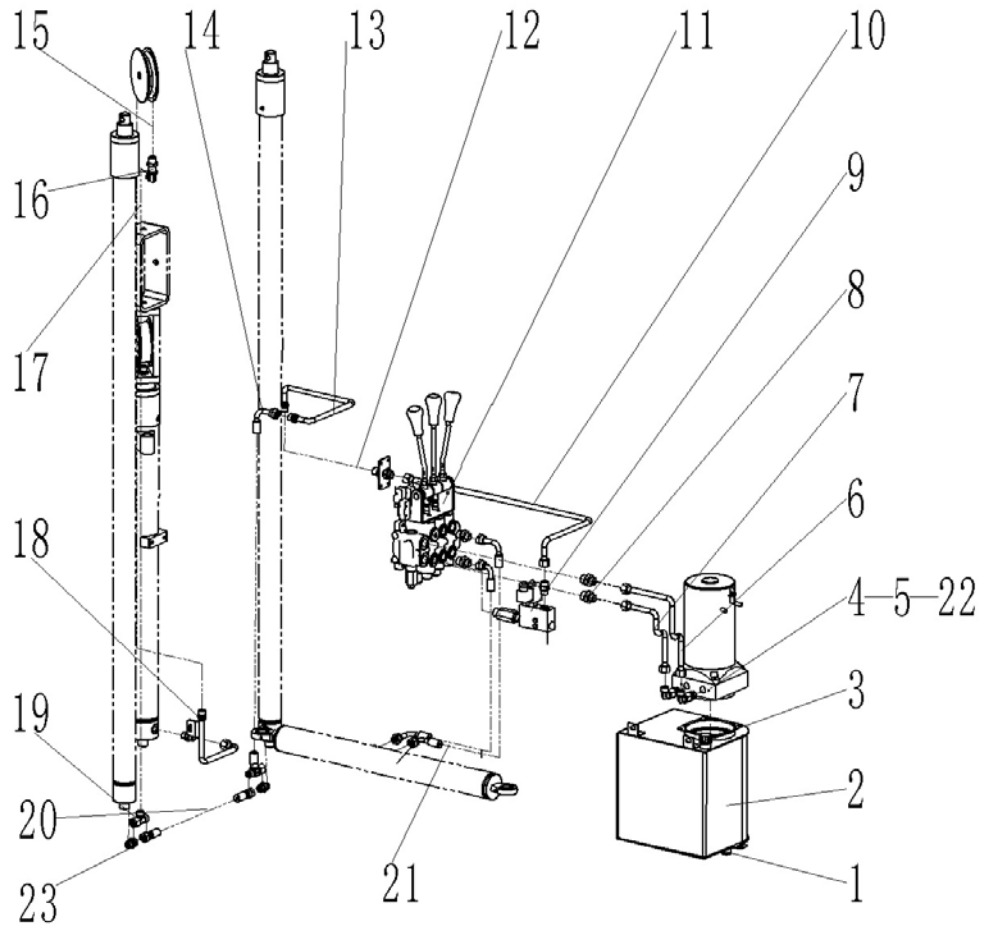


Fig. 26 Lifting, Reach Forward Hydraulic System (Three-stage-mast)

No.	Art No.	Description	Qty.	Note
1	2390302010	Screw plug	1	
2	9000010501	Cylinder	1	
3	2070300006	Oil filler cap	1	
4	2910100003	Pump station	1	
5	9000010502	Joint	2	
6	9000010503	Steel pipe 1	1	
7	9000010504	Steel pipe 2	1	
8	9000010473	Joint	6	
9	4040234001	Solenoid valve	1	
10	9000010505	Steel pipe 3	1	
11	9000010506	Valve	1	
12	9000010507	Hose 2	1	
13	9000010508	Steel pipe 5	1	
14	9000010509	Hose 8	1	
15	9000010510	Hose 5	1	
16	9000010511	Joint	1	
17	9000010512	Hose 6	1	
18	9000010513	Steel pipe 8	1	
19	9000011334	Joint	2	
20	9000010515	Hose 7	1	
21	9000010516	Hose 9	2	
22	9000011333	Joint	2	
23	9000010514	Joint	2	

**Fig. 27 Lifting, reach forward hydraulic system
(Two-stage-mast)**

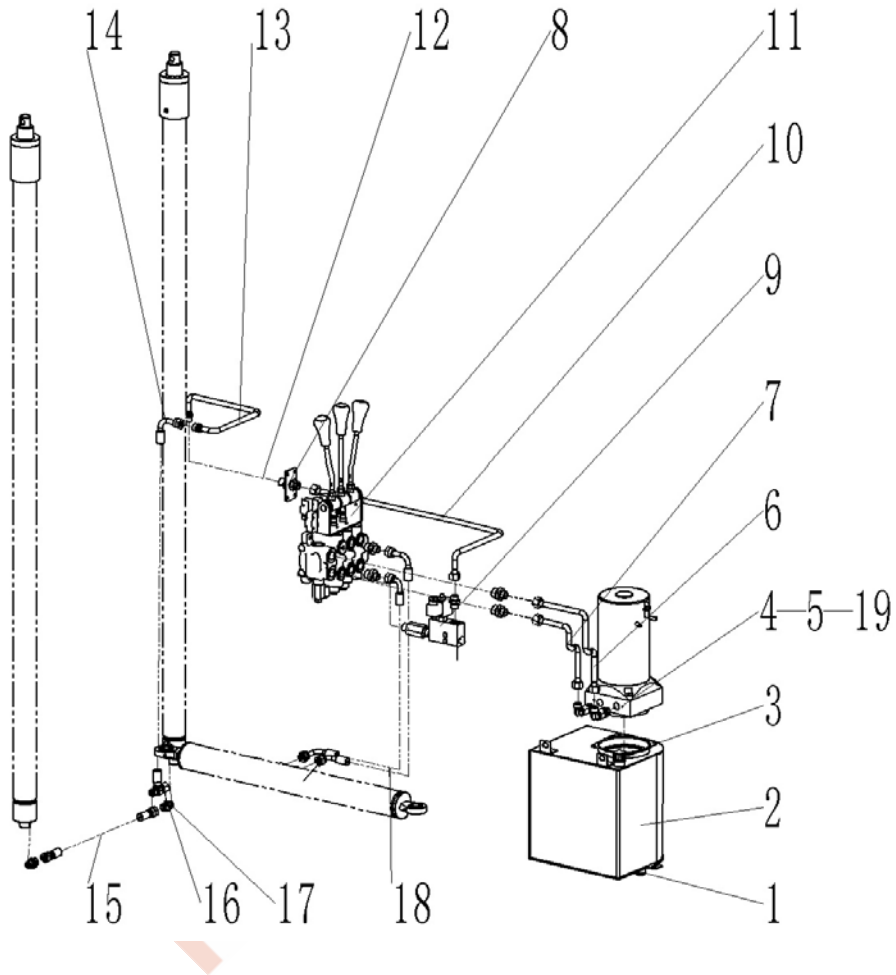


Fig. 27 Lifting、Reach Forward Hydraulic System (Two-stage-mast)

No.	Art No.	Description	Qty.	Note
1	2390302010	Screw plug	1	
2	9000010501	Cylinder	1	
3	2070300006	Oil filler cap	1	
4	2910100003	Pump station	1	
5	9000010502	Joint	2	
6	9000010503	Steel pipe 1	1	
7	9000010504	Steel pipe 2	1	
8	9000010473	Joint	6	
9	4040234001	Solenoid valve	1	
10	9000010505	Steel pipe 3	1	
11	9000010506	Valve	1	
12	9000010507	Hose 2	1	
13	9000010508	Steel pipe 5	1	
14	9000010509	Hose 8	1	
15	9000010517	Hose 1	1	
16	9000011334	Joint	1	
17	9000010514	Joint	2	
18	9000010516	Hose 9	2	
19	9000011333	Joint	2	

**Fig. 28 Lifting, reach forward hydraulic system
(One-stage-mast)**

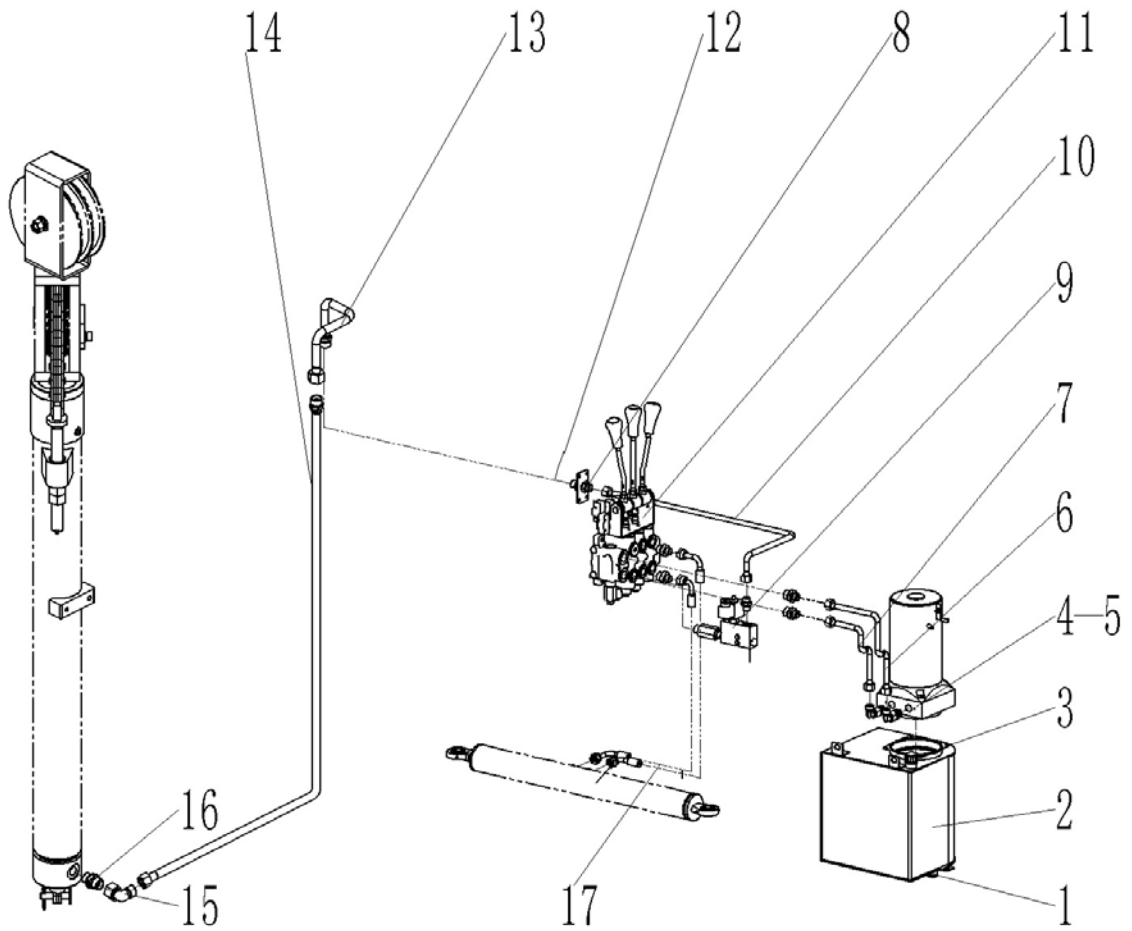


Fig. 28 Lifting、Reach Forward Hydraulic System (One-stage-mast)

No.	Art No.	Description	Qty.	Note
1	2390302010	Screw plug	1	
2	9000010501	Cylinder	1	
3	2070300006	Oil filler cap	1	
4	2910100003	Pump station	1	
5	9000010502	Joint	2	
6	9000010503	Steel pipe 1	1	
7	9000010504	Steel pipe 2	1	
8	9000010473	Joint	6	
9	4040234001	Solenoid valve	1	
10	9000010505	Steel pipe 3	1	
11	9000010506	Valve	1	
12	9000010507	Hose 2	1	
13	9000010518	Steel pipe 1	1	
14	9000010519	Steel pipe 3	1	
15	9000010514	Joint	1	
16	9000010516	Hose 9	2	
17	9000011333	Joint	3	

Fig. 29 Tilt hydraulic system (Three-stage-mast)

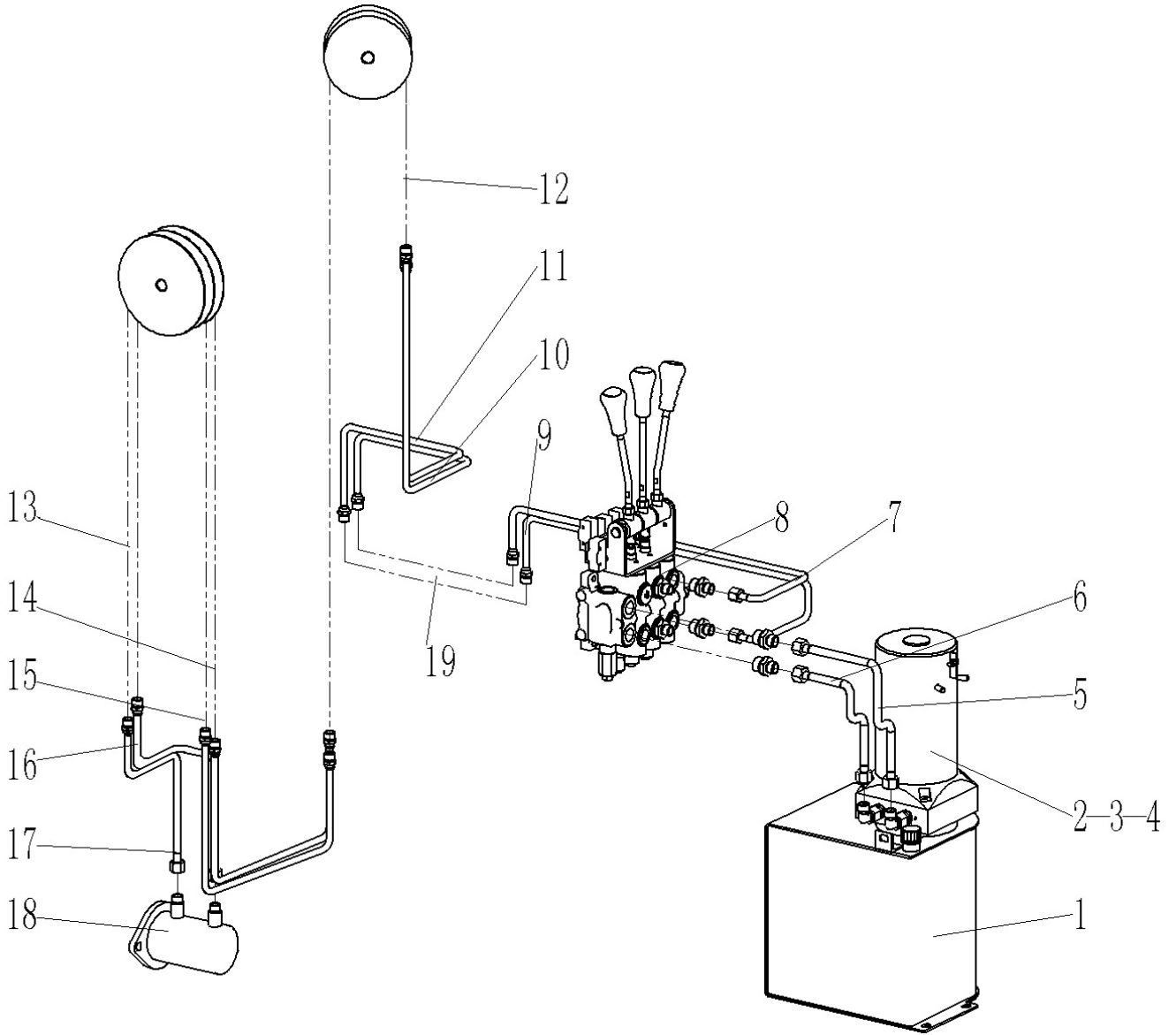


Fig. 29 Tilt Hydraulic System (Three-stage-mast)

No.	Art No.	Description	Qty.	Note
1	9000010520	Cylinder	1	
2	2910100003	Pump station	1	
3	9000010502	Joint	2	
4	9000011333	Steering linking joint	2	
5	9000010503	High pressure steel pipe 1	1	
6	9000010504	High pressure steel pipe 2	1	
7	9000010524	High pressure steel pipe 4	1	
8	9000010506	Valve assembly	1	
9	9000010508	High pressure steel pipe 5	1	
10	9000010522	High pressure steel pipe 7	1	
11	9000010513	High pressure steel pipe 8	1	
12	9000011991	Hydraulic hose assembly	1	
13	9000011992	Hydraulic hose assembly	2	
14	9000011960	Hydraulic hose assembly 11	1	
15	9000011961	Hydraulic hose assembly 12	1	
16	9000011958	Hydraulic hose assembly 9	1	
17	9000011959	Hydraulic hose assembly 10	1	
18	9000010444	Tilt cylinder assembly	1	
19	9000010523	Hydraulic hose assembly	2	

Fig. 30 Tilt hydraulic system (Two-stage-mast)

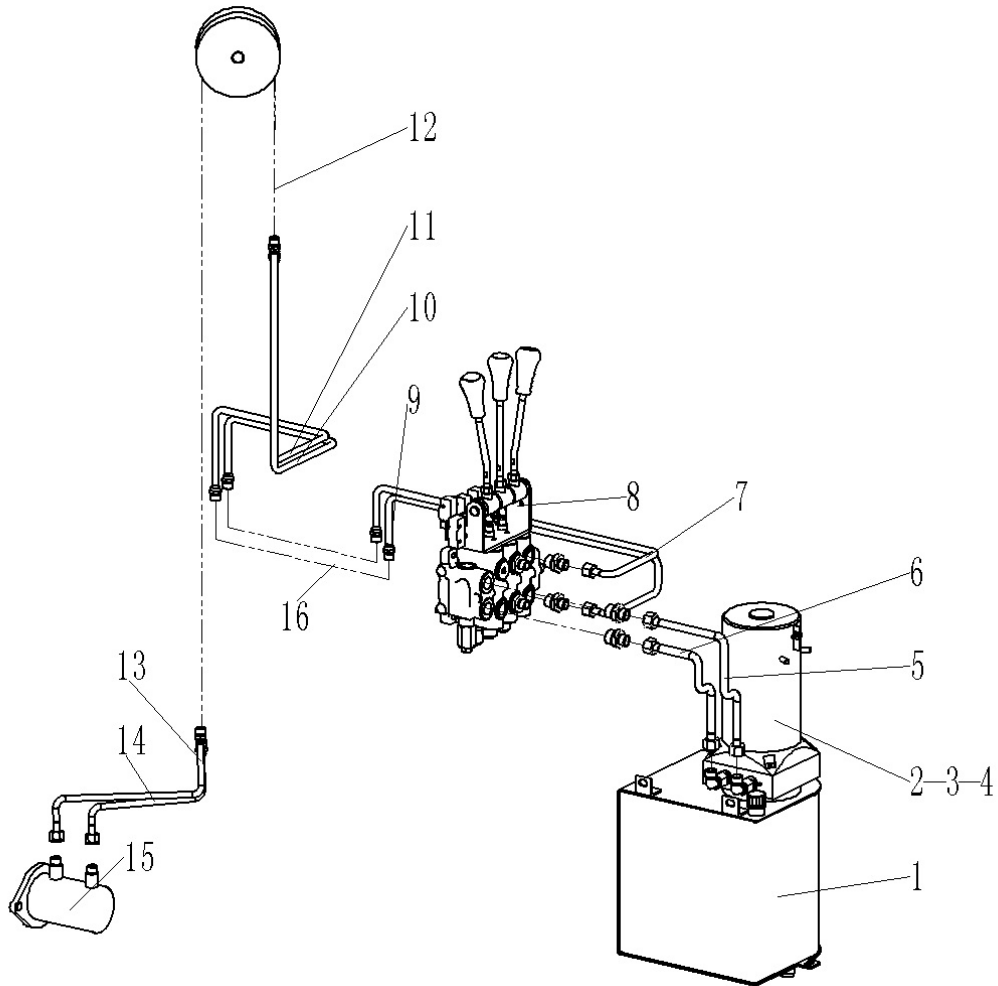


Fig. 30 Tilt Hydraulic System (Two-stage-mast)

No.	Art No.	Description	Qty.	Note
1	9000010520	Cylinder	1	
2	2910100003	Pump station	1	
3	9000010502	Joint	2	
4	9000011333	Steering linking joint	2	
5	9000010503	High pressure steel pipe 1	1	
6	9000010504	High pressure steel pipe 2	1	
7	9000010524	High pressure steel pipe 4	1	
8	9000010506	Valve assembly	1	
9	9000010508	High pressure steel pipe 5	1	
10	9000010522	High pressure steel pipe 7	1	
11	9000010513	High pressure steel pipe 8	1	
12	9000011991	Hydraulic hose assembly	2	
13	9000010525	High pressure steel pipe 1	1	
14	9000011975	High pressure steel pipe 2	1	
15	9000010444	Tilt cylinder assembly	1	
16	9000010523	Hydraulic hose assembly	2	

Fig. 31 Tilt hydraulic system (One-stage-mast)

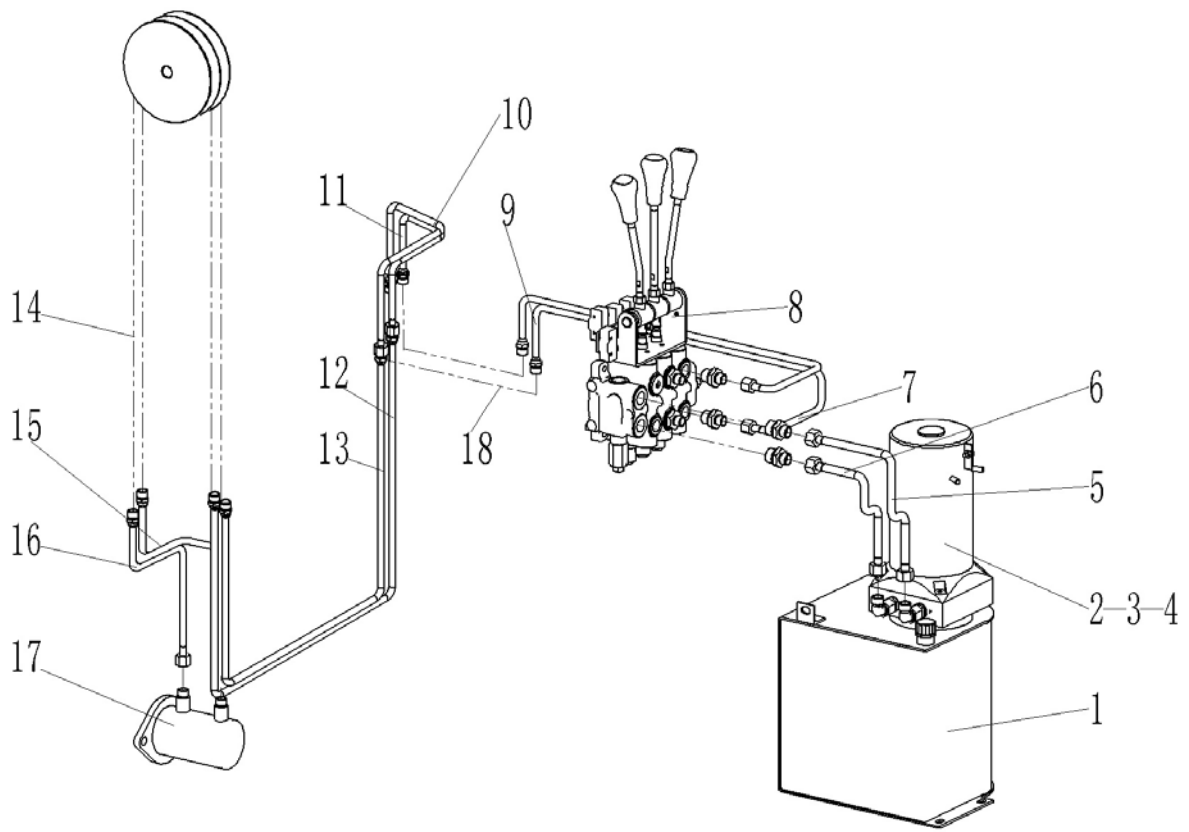


Fig. 31 Tilt Hydraulic System (One-stage-mast)

No.	Art No.	Description	Qty.	Note
1	9000010520	Cylinder	1	
2	2910100003	Pump station	1	
3	9000010502	Joint	2	
4	9000011333	Steering linking joint	2	
5	9000010503	High pressure steel pipe 1	1	
6	9000010504	High pressure steel pipe 2	1	
7	9000010524	High pressure steel pipe 4	1	
8	9000010506	Valve assembly	1	
9	9000010508	High pressure steel pipe 5	1	
10	9000010526	High pressure steel pipe 2	1	
11	9000010519	High pressure steel pipe 3	1	
12	9000011335	High pressure steel pipe 4	1	
13	9000011336	High pressure steel pipe 5	1	
14	9000010527	Hydraulic hose assembly	2	
15	9000011958	High pressure steel pipe 9	1	
16	9000011959	High pressure steel pipe 10	1	
17	9000010444	Tilt cylinder assembly	1	
18	9000010523	Hydraulic hose assembly	2	

Fig. 32 Sidesway hydraulic system (Three-stage-mast)

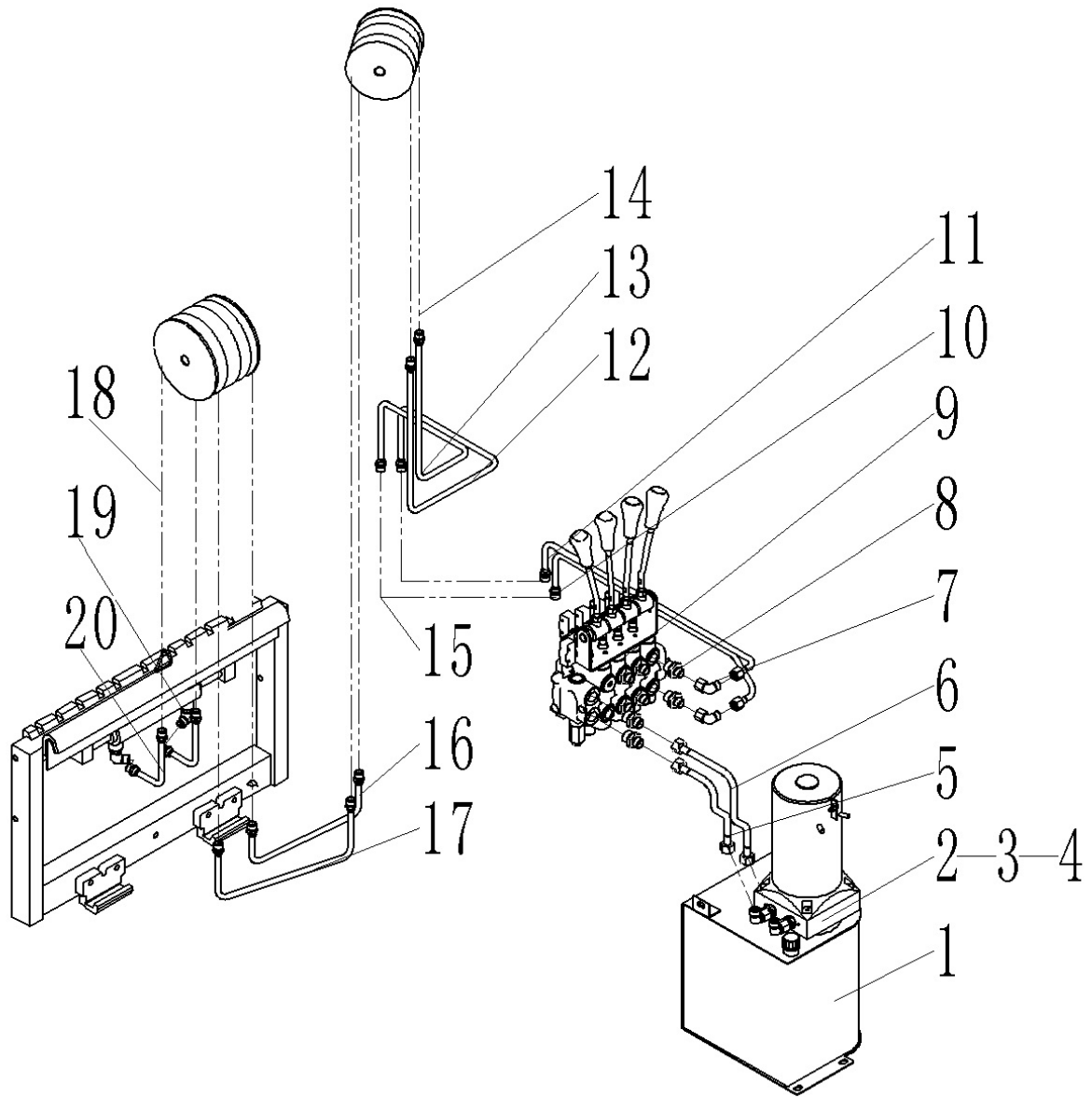


Fig. 32 Sidesway Hydraulic System (Three-stage-mast)

No.	Art No.	Description	Qty.	Note
1	9000010520	Cylinder	1	
2	2910100003	Pump station	1	
3	9000010502	Joint	2	
4	9000011333	Steering linking joint	2	
5	9000010503	High pressure steel pipe 1	1	
6	9000010504	High pressure steel pipe 2	1	
7	9000007838	Steering linking joint	2	
8	9000010554	Valve joint	8	
9	9000010506	Valve assembly	1	
10	9000011978	High pressure steel pipe 1	1	
11	9000011979	High pressure steel pipe 2	1	
12	9000011981	High pressure steel pipe 4	1	
13	9000010513	High pressure steel pipe 8	1	
14	9000011991	Hydraulic hose assembly	2	
15	9000010523	Hydraulic hose assembly	2	
16	9000011983	High pressure steel pipe 6	1	
17	9000011986	High pressure steel pipe 9	1	
18	9000011992	Hydraulic hose assembly	2	
19	9000007836	Joint	2	
20	9000011982	High pressure steel pipe 5	2	

Fig. 33 Rear lifting cylinder (Three-stage-mast)

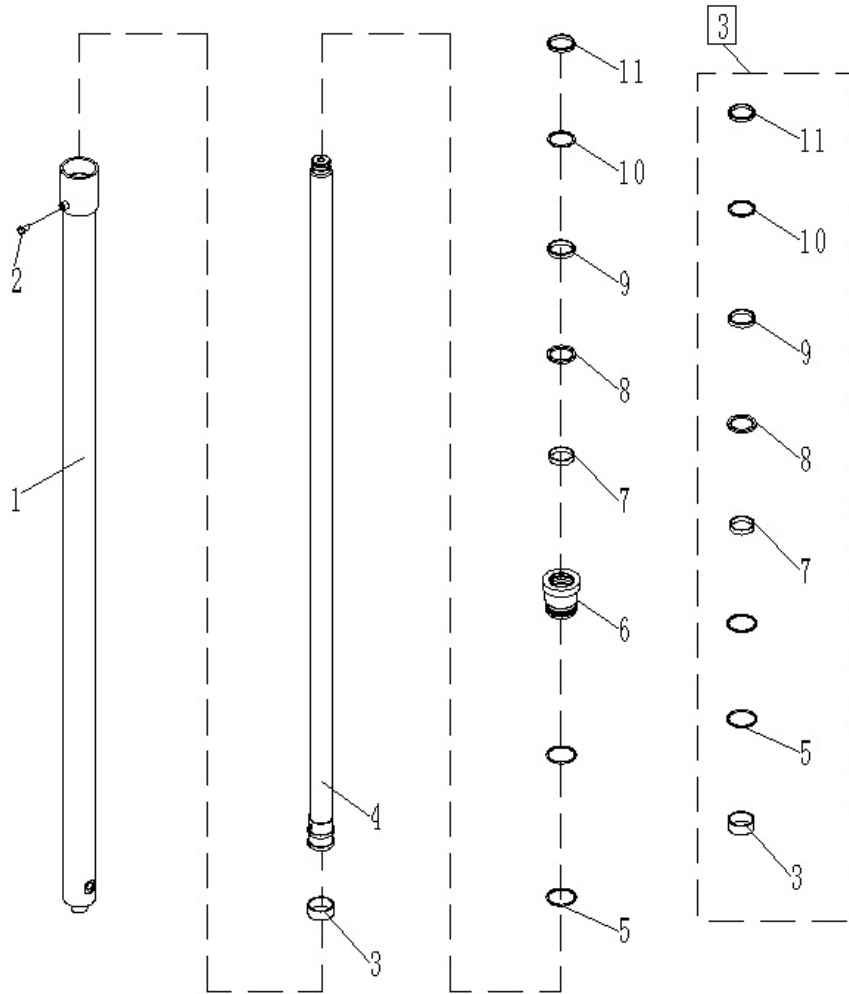


Fig. 33 Rear Lifting Cylinder (Three-stage-mast)

No.	Art No.	Description	Qty.	Note
1	9000010529	Cylinder	1	
2	0090000528	Vent plug	1	M8×1
3	9000009674	Supporting ring of hole	1	43×48×20
4	9000010530	Piston rod	1	
5	0000022018	O ring	2	55×3.1
6	9000010531	Cylinder cover	1	
7	9000009666	Supporting ring of axle	1	42×46×10
8	9000009665	Seal ring	1	42×52.7×4.2
9	9000009663	Y ring of axle	1	42×50×7.5/8
10	9000009664	Circlip	1	42×50×2
11	9000009661	Dust cover	1	42×50×5/6.5
③	9000009776	Rear lifting cylinder seal kit	1	

Fig. 34 Rear lifting cylinder (Two-stage-mast)

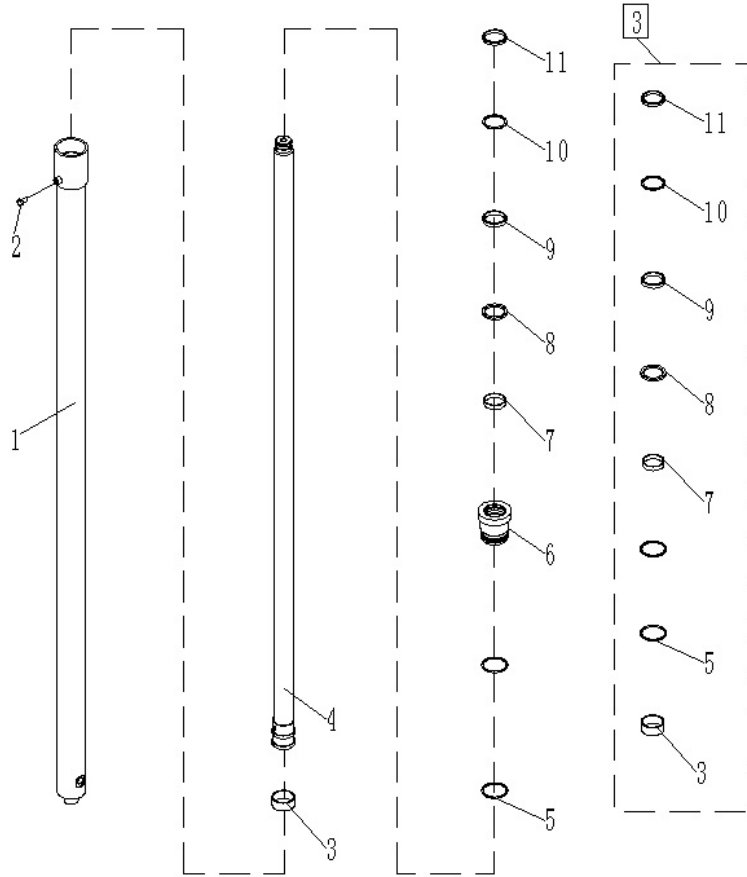
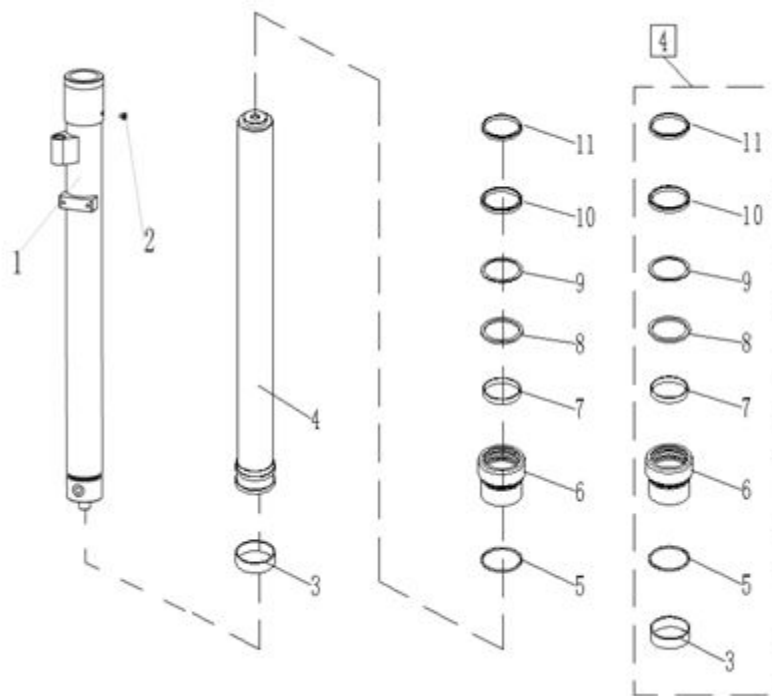


Fig. 34Rear Lifting Cylinder (Two-stage-mast)

No.	Art No.	Description	Qty.	Note
1	9000010529	Cylinder	1	
2	0090000528	Vent plug	1	M8×1
3	9000009674	Supporting ring of hole	1	43×48×20
4	9000010530	Piston rod	1	
5	0000022018	O ring	2	55×3.1
6	9000010531	Cylinder cover	1	
7	9000009666	Supporting ring of axle	1	42×46×10
8	9000009665	Seal ring	1	42×52.7×4.2
9	9000009663	Y ring of axle	1	42×50×7.5/8
10	9000009664	Circlip	1	42×50×2
11	9000009661	Dust cover	1	42×50×5/6.5
③	9000009776	Rear lifting cylinder seal kit	1	

NOBU LIFT 诺力

Fig. 35 Front lifting cylinder (Three-stage-mast)



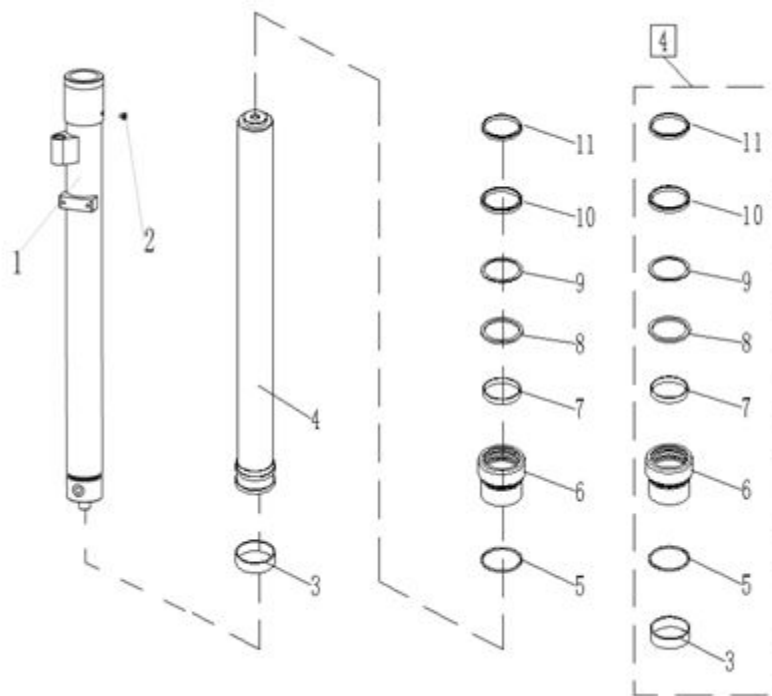
NOVA

Fig. 35 Front Lifting Cylinder (Three-stage-mast)

No.	Art No.	Description	Qty.	Note
1	9000010532	Cylinder	1	
2	0090000528	Vent plug	1	M8×1
3	9000009704	Supporting ring of hole	1	62×67×20
4	9000010533	Piston rod	1	
5	0000022070	O ring	1	70×3.1
6	9000010534	Cylinder cover	1	
7	9000009698	Supporting ring of axle	1	60×64×10
8	9000009697	Seal ring	1	60×70.7×4.2
9	9000009695	Axle sealing	1	60×70×6/7
10	9000009696	Circlip	1	60×70×2
11	9000009694	Dust cover	1	60×68×5/6.5
④	9000009777	Front lifting cylinder seal kit	1	

NOBU LIFT 诺力

Fig. 36 Front lifting cylinder (One-stage-mast)



NOVA

Fig. 36 Front Lifting Cylinder (One-stage-mast)

No.	Art No.	Description	Qty.	Note
1	9000010532	Cylinder	1	
2	0090000528	Vent plug	1	M8×1
3	9000009704	Supporting ring of hole	1	62×67×20
4	9000010532	Piston rod	1	
5	0000022070	O ring	1	70×3.1
6	9000010532	Cylinder cover	1	
7	9000009698	Supporting ring of axle	1	60×64×10
8	9000009697	Seal ring	1	60×70.7×4.2
9	9000009695	Axle sealing	1	60×70×6/7
10	9000009696	Circlip	1	60×70×2
11	9000009694	Dust cover	1	60×68×5/6.5
④	9000009777	Front lifting cylinder seal kit	1	

NOBU LIFT 诺力

Fig. 37 Reach forward cylinder

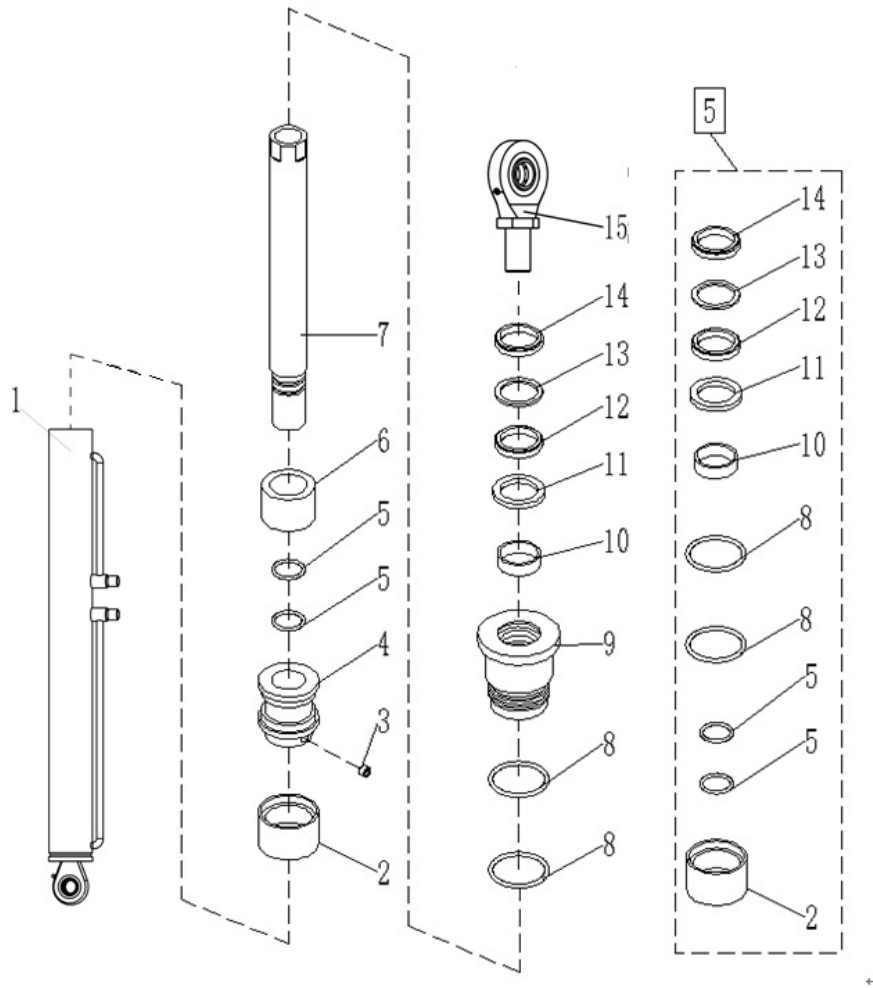


Fig. 37 Reach Forward Cylinder

No.	Art No.	Description	Qty.	Note
1	9000010535	Reach forward cylinder barrel	1	
2	9000009716	Combination sealing	1	45×35×16.4/6.35
3	0090000529	Screw	1	M8×8
4	9000010536	Reach forward cylinder assembly 01	1	
5	0000022109	O ring	2	25×2.4
6	9000010537	Reach forward cylinder assembly 02	1	
7	9000010538	Forward cylinder rod	1	
8	0000022013	O ring	2	45×3.1
9	9000010539	Reach forward cylinder assembly 06	1	
10	9000009711	Supporting ring of axle	1	28×32×10
11	9000009710	Seal ring	1	28×38.7×4.2
12	9000009708	Axle sealing	1	28×35.5×5/5.7
13	9000009709	Circlip	1	28×35.5×2
14	9000009707	Dust cover	1	28×36×4.5/6
15	0090000624	SA20E Bearing	2	
⑤	9000009778	Reach forward cylinder seal kit	1	(Drive distance 540)

Fig. 38 Tilt cylinder

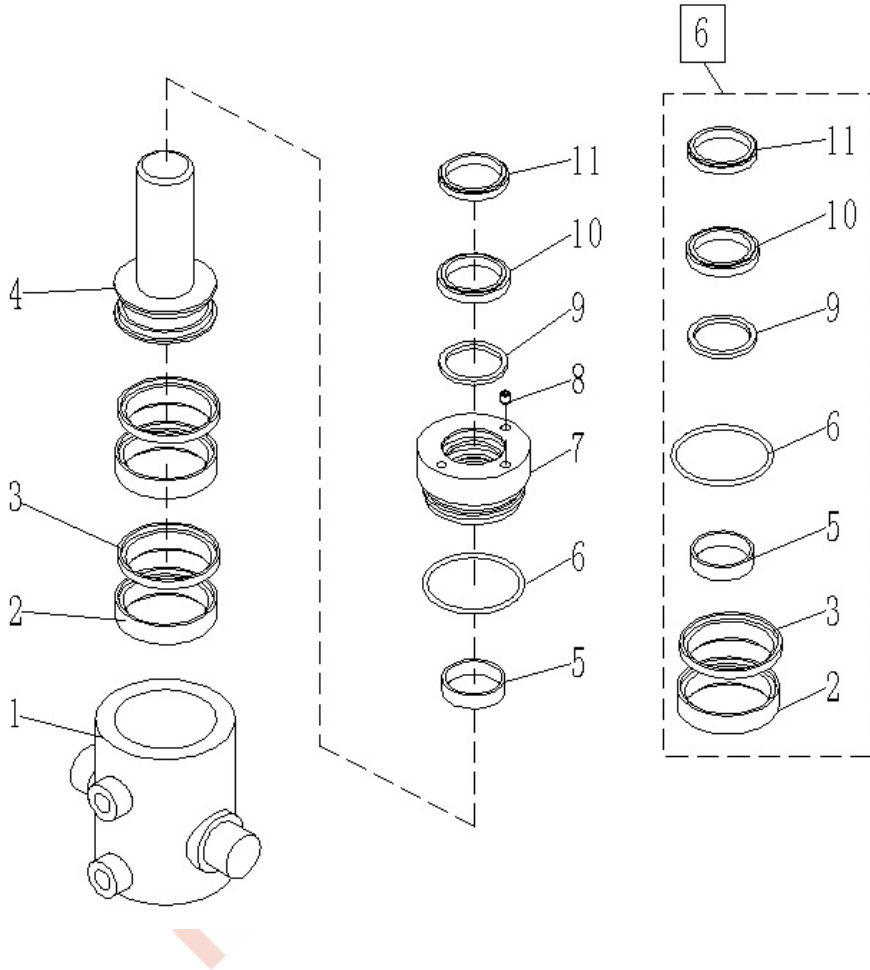


Fig. 38 Tilt Cylinder

No.	Art No.	Description	Qty.	Note
1	9000010540	Cylinder	1	
2	9000010041	Y ring	2	65×75×6/7
3	9000010042	Circlip	2	65×75×2
4	9000010541	Piston rod	1	
5	9000009722	Copper bushing	1	35×39×10
6	0000022025	O ring	1	75×3.1
7	9000010542	Guide sleeve	1	
8	0090000314	Screw	1	M6×8
9	9000009721	Seal ring	1	35×42.3×3.2
10	9000009719	Axle seal	1	35×45×6/7
11	9000009718	Dust cover	1	35×43×5/6.5
⑥	9000009829	Tilt cylinder seal kit	1	

Fig. 39 Valve

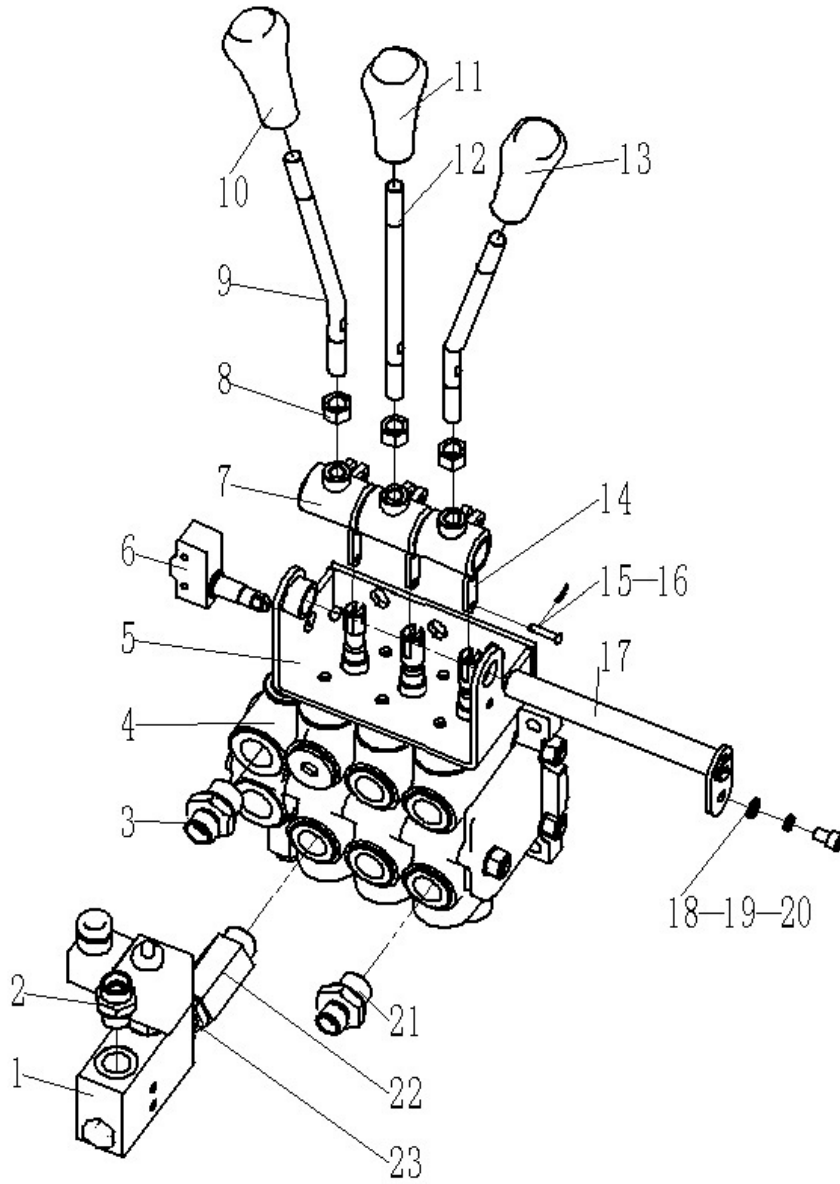


Fig. 39 Valve

No.	Art No.	Description	Qty.	Note
1	2090300007	Valve	1	
2	9000010555	Joint	1	
3	9000010543	Joint	2	
4	9000010544	Control valve	1	
5	9000010545	Valve assembly frame	1	
6	3002434003	Micro switch	4	RZ-15GQ22-B3
7	9000010546	Handle seat	3	
8	0000024065	Nut	3	M10
9	9000010547	Valve control lever 1	2	
10	9000010548	Lifting handle head	1	
11	9000010549	Reach forward handle head	1	
12	9000010550	Valve control lever 2	1	
13	9000010551	Tilt lever head	1	
14	9000010552	Lift slice	3	
15	0000007008	Short axle	6	4×18
16	0000028090	Split pin	6	1.6×8
17	9000010553	Valve short axle	1	
18	0000023042	Screw	1	M6×10
19	0000023055	Washer	1	6
20	0000025010	Washer	1	6
21	9000010554	Valve AB joint	6	
22	9000011957	Joint	1	
23	9000011956	joint	1	

Fig. 40 Pump system

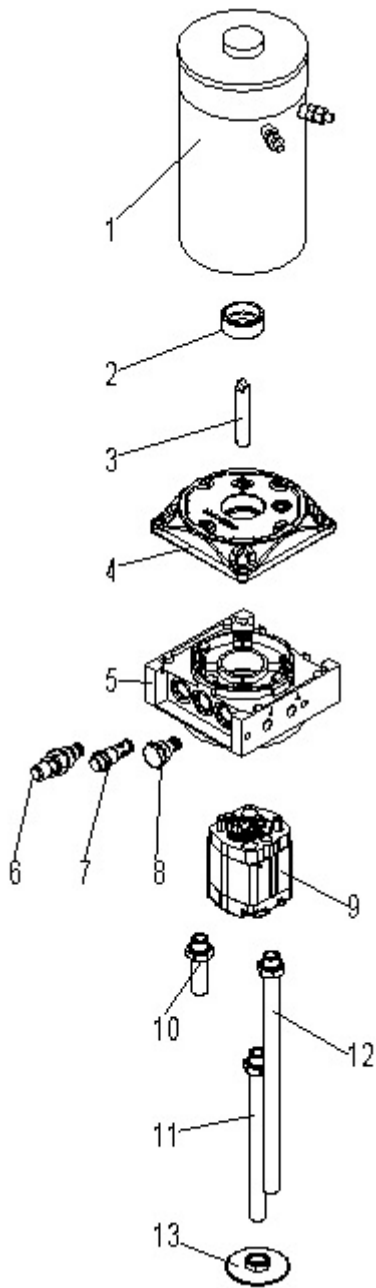


Fig. 40 Pump System

No.	Art No.	Description	Qty.	Note
1	9000009756	Motor	1	24V 3kW
2	9000009757	Bushing	1	
3	9000009758	Coupler	1	
4	9000009759	Flange	1	
5	9000009760	Flange	1	
6	9000009761	Overflow valve	1	
7	9000009762	Check valve	1	
8	9000009763	Screw	1	
9	9000009764	Pump	1	4.2cc
10	9000009765	Hose	1	
11	9000009766	Hose	1	
12	9000009767	Hose	1	
13	9000009768	Filter	1	

Fig. 41 Handle arm assembly

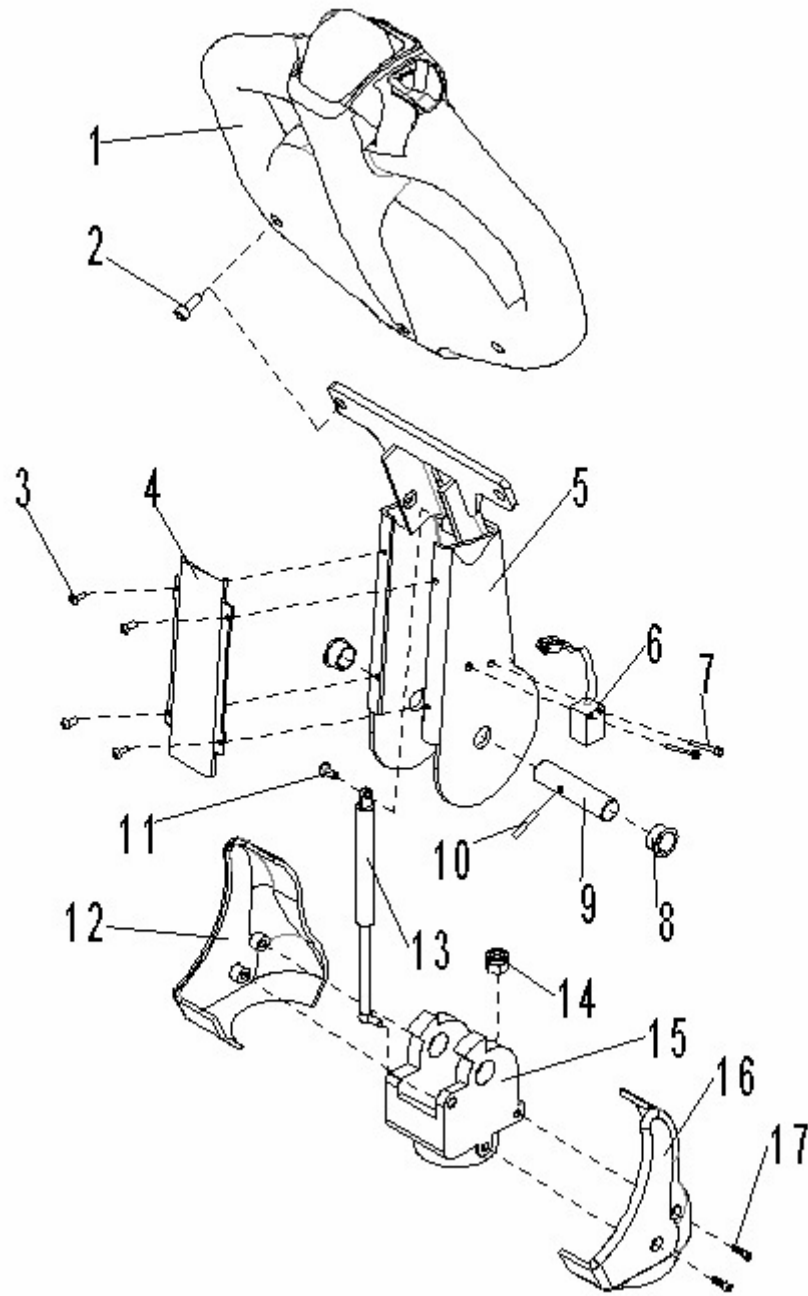
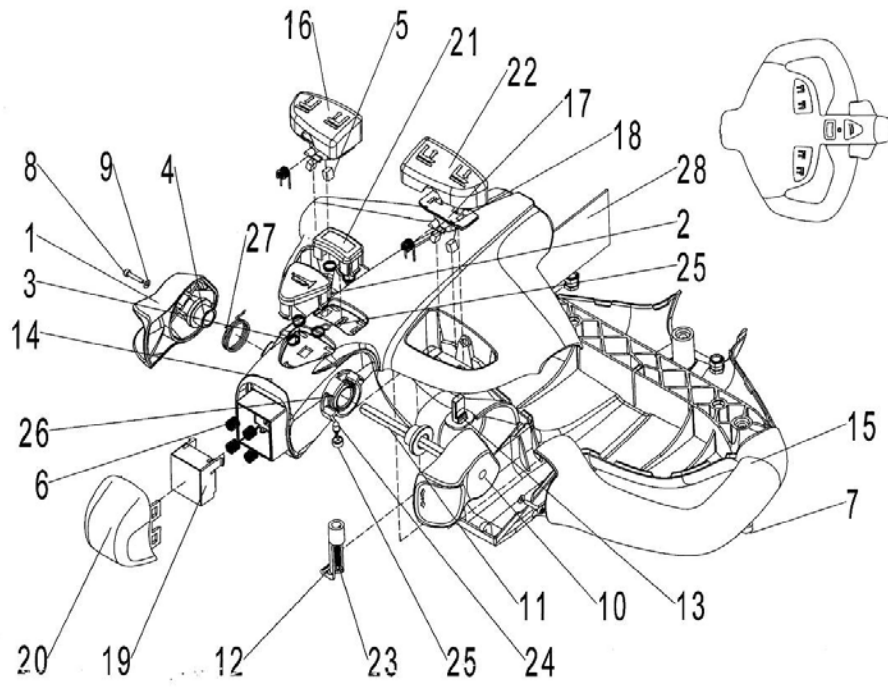


Fig. 41 Handle Arm Assembly

No.	Art No.	Description	Qty.	Note
1	9000008323	FR Handle	1	
2	0000023040	Screw	3	M6×16
3	1000123003	Screw	4	M4×8
4	9000008037	Cover	1	
5	9000008036	Handle arm	1	
6	9000008327	Proximity switch	1	NBN5-F7-E5
7	0000023075	Screw	2	M3×20
8	1000113001	Bushing	2	17×19×11
9	9000007928	Handle axle	1	
10	0000028003	Dowel pin	1	4×24
11	1000123001	Screw	1	M8×20
12	9000007930	Left handle cover	1	
13	1010121001	Air spring (S≥55)	1	400N
14	0000023005	Nut	2	M10
15	9000007929	Handle seat	1	
16	9000007931	Right handle cover	1	
17	0000023519	Screw	4	M6×10

Fig. 42 Handle head

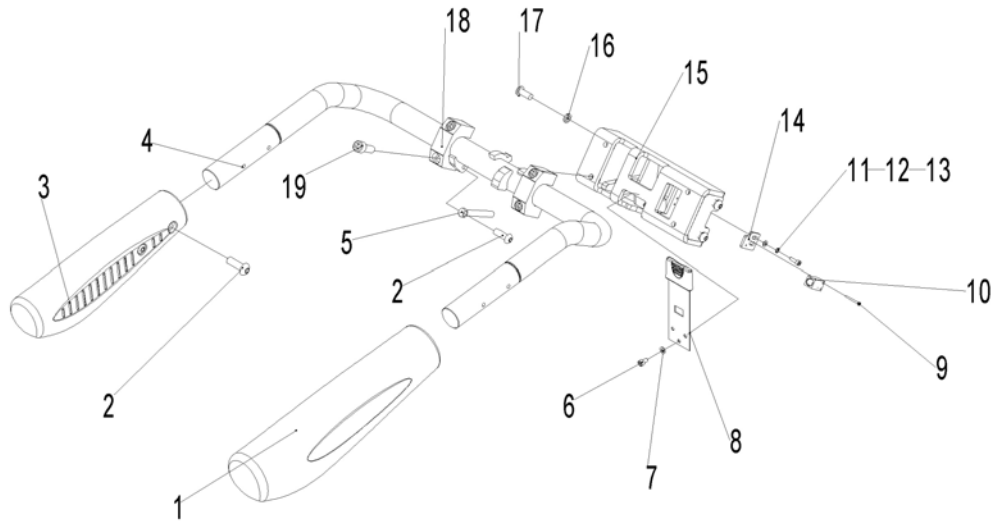


NOBU

Fig. 42 Handle Head

No.	Art No.	Description	Qty.	Note
1	1000114014	Left driving button	1	
2	1000114015	Horn button	1	
3	1000131009	Horn button spring	5	
4	1000113004	Camshaft bushing	2	
5	1000137001	Magnet	4	▲
6	1000131010	Spring of urgent reversing switch	4	
7	0000023058	Screw	3	
8	0000023057	Screw	2	
9	0000025017	Washer	2	
10	1000114016	Right driving button	1	
11	1000107002	Driving button axle	1	
12	1000137002	PCB board circlip	1	
13	1000134005	Load censor	2	
14	1000103012	Handle	1	
15	1000103013	Handle	1	
16	1000114017	Left button	1	
17	1000137003	Magnet seat	2	
18	1000131011	Spring	2	
19	1000114018	Seat of urgent reversing button spring	1	
20	1000114020	Cover of urgent reversing button spring	1	
21	1000114021	Option switch cover	1	
22	1000114022	Right button	1	
23	0000023060	Screw	1	
24	1000134006	LED bi-color light	1	
25	1000103014	Seat of LED bi-color	1	
26	1000131012	Torsional spring for right driving button	1	
27	1000131013	Torsional spring for left driving button	1	
28	1000134007	PCB	1	

Fig. 43 Protective arm



NOBL

Fig. 43 Protective Arm

No.	Art No.	Description	Qty.	Note
1	9000007895	Right protective arm cover	1	
2	0090000448	Screw	5	M8×20
3	9000007896	Left protective arm cover	1	
4	9000007894	Protective arm	1	
5	9000007780	Air spring	1	
6	0000023045	Screw	3	M6×12
7	0000025010	Washer	3	6
8	9000007897	Positioning spring	1	
9	0000023075	Screw	2	M3×20
10	9000008329	Proximity switch	1	NBN5-F7-E5
11	0000025012	Washer	2	5
12	0000023032	Washer	2	5
13	0000023107	Screw	2	M5×16
14	9000009799	Switch transition plate	1	
15	9000007892	Protective arm seat	1	
16	0000023006	Washer	4	10
17	0090000447	Screw	4	M10×25
18	9000007893	Protective arm clamp block	2	
19	0000023099	Screw	4	M10×45

Fig. 44 Foldable platform

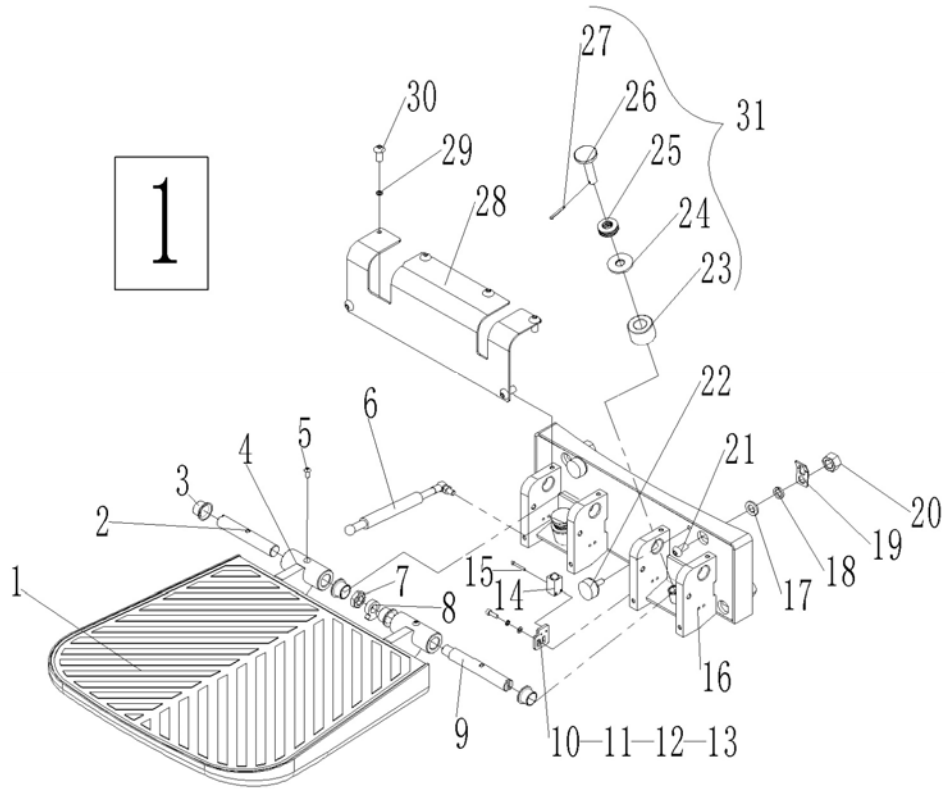


Fig. 44 Foldable Platform

No.	Art No.	Description	Qty.	Note
1	9000007867	Pedal pad	1	
2	9000007869	Rotating axle	1	
3	9000007799	Shoulder harness	4	Φ20×23×16.5
4	9000007863	Foot platform	1	
5	0000023555	Screw	2	M6×16
6	2000421001	Air spring	1	
7	0000024014	Nut	1	M16×1.5
8	9000007873	Cam	1	
9	9000007866	Camshaft	1	
10	0000025012	Washer	2	5
11	0000023032	Washer	2	5
12	0000023107	Screw	2	M5×16
13	9000009799	Switch transition plate	1	
14	9000008328	Proximity switch	1	NBN5-F7-E2
15	0000023075	Screw	2	M3×20
16	9000007864	Assembly seat	1	
17	0090000048	Washer	4	12
18	0000025024	Washer	4	12
19	9000007874	Line hanging board	1	
20	0000024006	Lock nut	4	M12
21	0090000450	Screw	4	M12×45
22	9000007865	Cushion	2	
23	9000007872	Anti-vibration pad	2	
24	9000007871	Anti-vibration washer	2	
25	0000031001	Spring	8	Φ16.3×31.5×1.75
26	9000007870	Bolt	2	

27	0000028033	Split pin	2	Φ3.2×20
28	9000007868	Assembly seat	1	
29	0000025010	Washer	6	6
30	0000023045	Screw	6	M6×12
31	9000008897	Suspension assembly	2	
□	9000007862	Platform	1	

NOBLIFT 诺力

Fig. 45 Battery

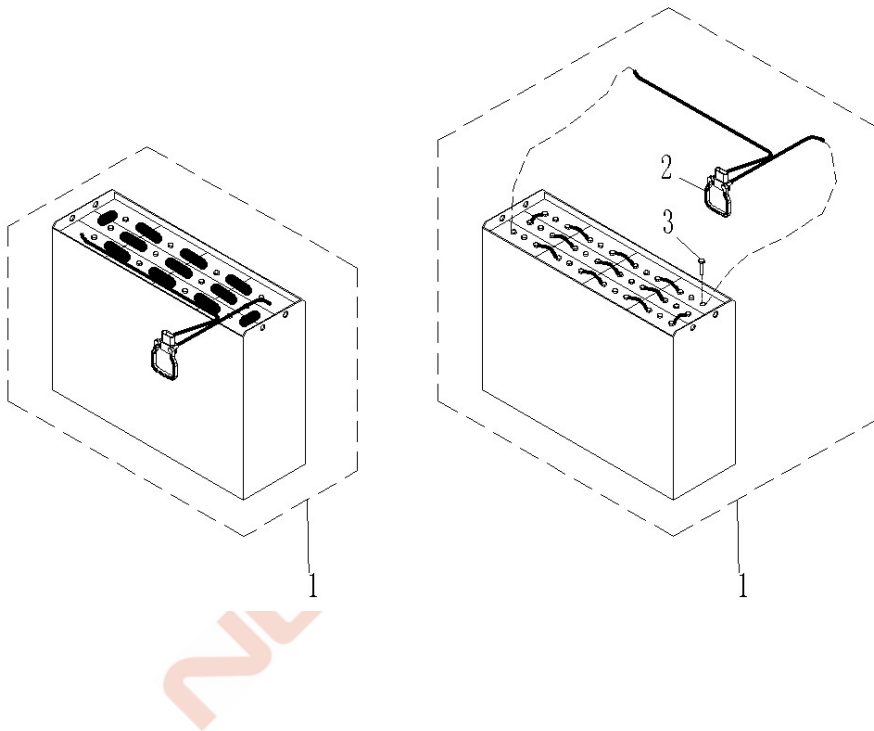


Fig. 45 Battery

No.	Art No.	Description	Qty.	Note
1	9000008042	Battery	1	Weld type
	9000009830	Battery (Bolt type)		Bolt type
2	9000003987	Connector	1	Only for bolt type battery
3	9000009832	Screw	24	Only for bolt type battery

NOBLIFT 诺力

Easy worn parts list

No	Art No.	Description	Qty	Fig./Position	Note
1	9000010442	Fork axle	1	Fig.6/6	Pallet frame
2	9000003623	JFB bearing 3540	4	Fig.6/9	
3	9000010442	Fork axle	1	Fig.7/6	Pallet frame(sidesway)
4	9000003623	JFB bearing 3540	4	Fig.7/9	
5	0000027056	Bearing 6208	2	Fig.8/1	Load roller
6	2090416001	Front castor	1	Fig.8/2	
7	9000010447	Load roller	2	Fig.8/1	
8	0000027013	Bearing	4	Fig.9/3	Steering wheel assembly
9	2000413001	Bushing	4	Fig.9/4	
10	2000413002	Sleeve	4	Fig.9/9	
11	0000027001	Bearing	4	Fig.9/11	
12	2020416001	Castor	8	Fig.9/12	
13	9000003638	Castor assembly	2	Fig.9/13	
14	9000000410	Bearing	4	Fig.10/1	Mast (Three-stage-mast)
15	9000000364	Side bearing	4	Fig.10/3	
16	9000000404	Chain wheel bearing	3	Fig.10/34	
17	9000000364	Bearing	4	Fig.11/1	Mast (Two-stage-mast)
18	9000000404	Side bearing	4	Fig.11/3	
19	9000000364	Chain wheel bearing	3	Fig.11/34	
20	9000000404	Bearing	4	Fig.12/1	Mast (One-stage-mast)
21	9000000364	Side bearing	4	Fig.12/3	

22	9000000404	Chain wheel bearing	3	Fig.12/14	
23	9000010462	Hinge	2	Fig.13/4	Battery cover
24	9000010480	Bearing	4	Fig.16/28	Drive system
25	1000434040	Fuse 10A	1	Fig.19/5	Controller assembly
26	2210434004	Fuse 150A	1	Fig.19/13	
27	9000007806	Damper	1	Fig.22/7	Electrical steering components
28	9000007424	Linking block	1	Fig.22/13	
29	9000009776	Rear lifting cylinder seal kit	1	Fig.33/ [3]	Rear lifting cylinder (Three-stage-mast)
30	9000009776	Rear lifting cylinder seal kit	1	Fig.34/ [3]	Rear lifting cylinder (Two-stage-mast)
31	9000009777	Front lifting cylinder seal kit		Fig.35/ [4]	Front lifting cylinder (Three-stage-mast)
32	9000009777	Front lifting cylinder seal kit		Fig.36/ [4]	Front lifting cylinder (One-stage-mast)
33	9000009829	Reach forward cylinder seal kit	1	Fig.37/ [5]	Reach forward cylinder
34	1000113001	Tilt cylinder seal kit	1	Fig.38/ [6]	Tilt cylinder
35	1010121001	Bushing 17×19×11	2	Fig.41/8	Handle arm assembly
36	9000007780	Air spring (S≥55)	1	Fig.41/13	
37	9000007780	Air spring	1	Fig.43/5	Protective arm

38	9000007897	Positioning spring	1	Fig.43/8	
39	9000007799	Bushing	4	Fig.44/3	Foldable platform
40	2000421001	Air spring	1	Fig.44/6	
41	9000008897	Suspension assembly	2	Fig.44/31	
42	9000003987	Connector	1	Fig.45/2	Battery
43	9000009832	Screw	24	Fig.45/3	

NOBU LIFT 诺力