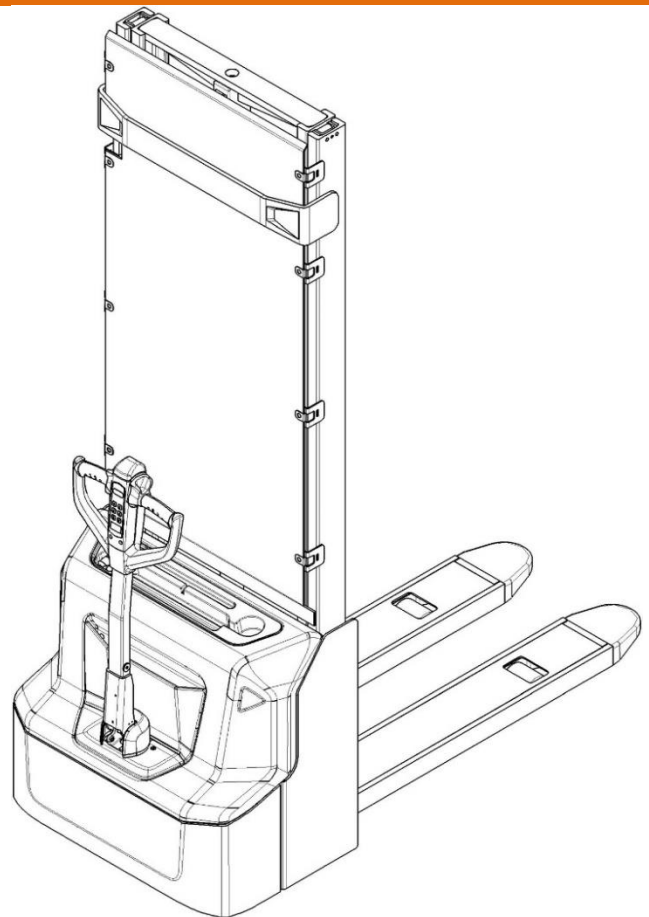


SPARE PARTS LIST

Electric stacker PS E12B / PS E12N



Version 11/2019

From truck identification number:

PSE12B/PSE12N-BPT-003-EN

Catalogue

Fig.1 Fork carriage.....	3
Fig.2 Chassis	4
Fig.3 Load roller components	6
Fig.4 Driving unit.....	7
Fig.5 Driving wheel components	9
Fig.6 Cylinder.....	9
Fig.7 Power unit.....	12
Fig.8 Hydraulic components	13
Fig.9 Steering wheel components	15
Fig.10 Control panel components.....	17
Fig.11 Tiller head.....	19
Fig.12 Tiller arm components	21
Fig.13 Battery component.....	23
Fig.14 Mast component (two stage mast)	25
Fig.15 Mast component (one stage mast).....	28
Fig.16 Controller components.....	30
Fig.17 Wiring harness (PS E12B).....	32
Fig.18 Wiring harness (PS E12N)	33
Fig.19 Sticker (EU).....	34
Easy worn parts list.....	35

Fig.1 Fork carriage

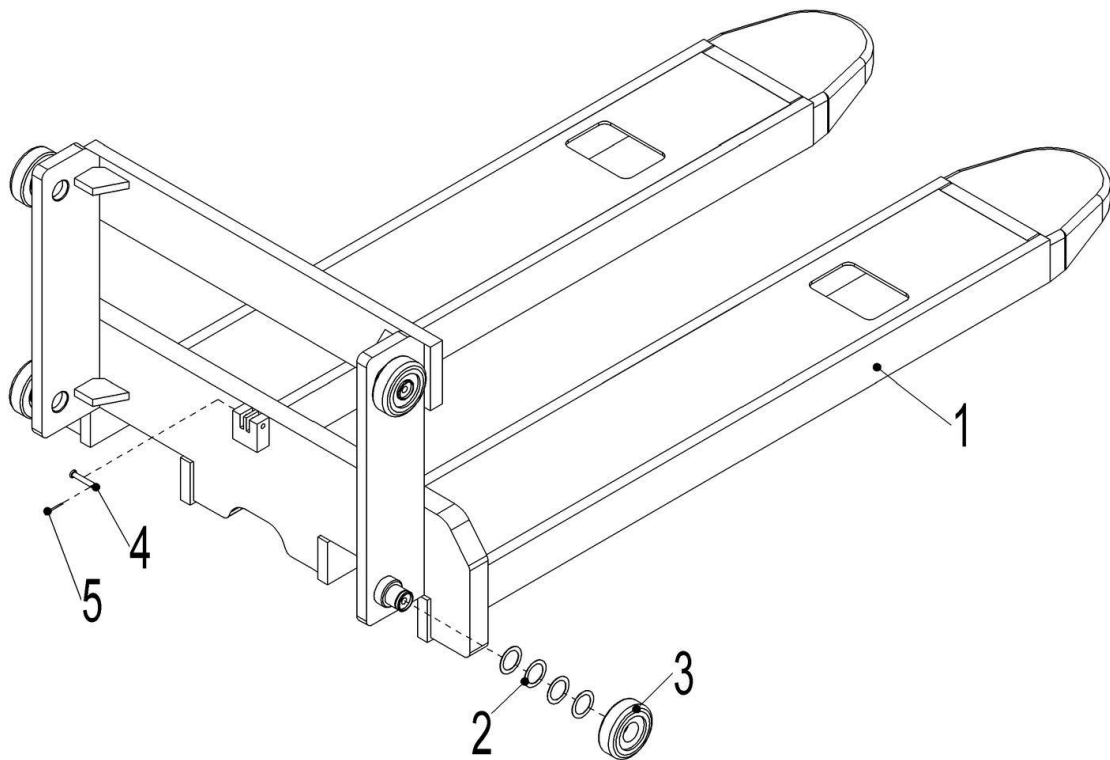


Fig.1 Fork carriage

No.	Art No.	Description	Qty.	Note
1	532238010001	Welded pallet frame	1	Two stage mast 570x1150
	532238010002			Two stage mast 685x1150
	532238010003			One stage mast 570x1150
	532238010004			One stage mast 685x1150
2	940600500016	Washer $\Phi 35 \times \Phi 25 \times 0.5$	16	
3	940200100038 - 10	Roller $\Phi 70 \times \Phi 25 \times 22.5$	4	
4	941100800006	Pin B6x45-c1B	1	
5	910600600015	Split pin GB91-2x20	1	

Fig.2 Chassis

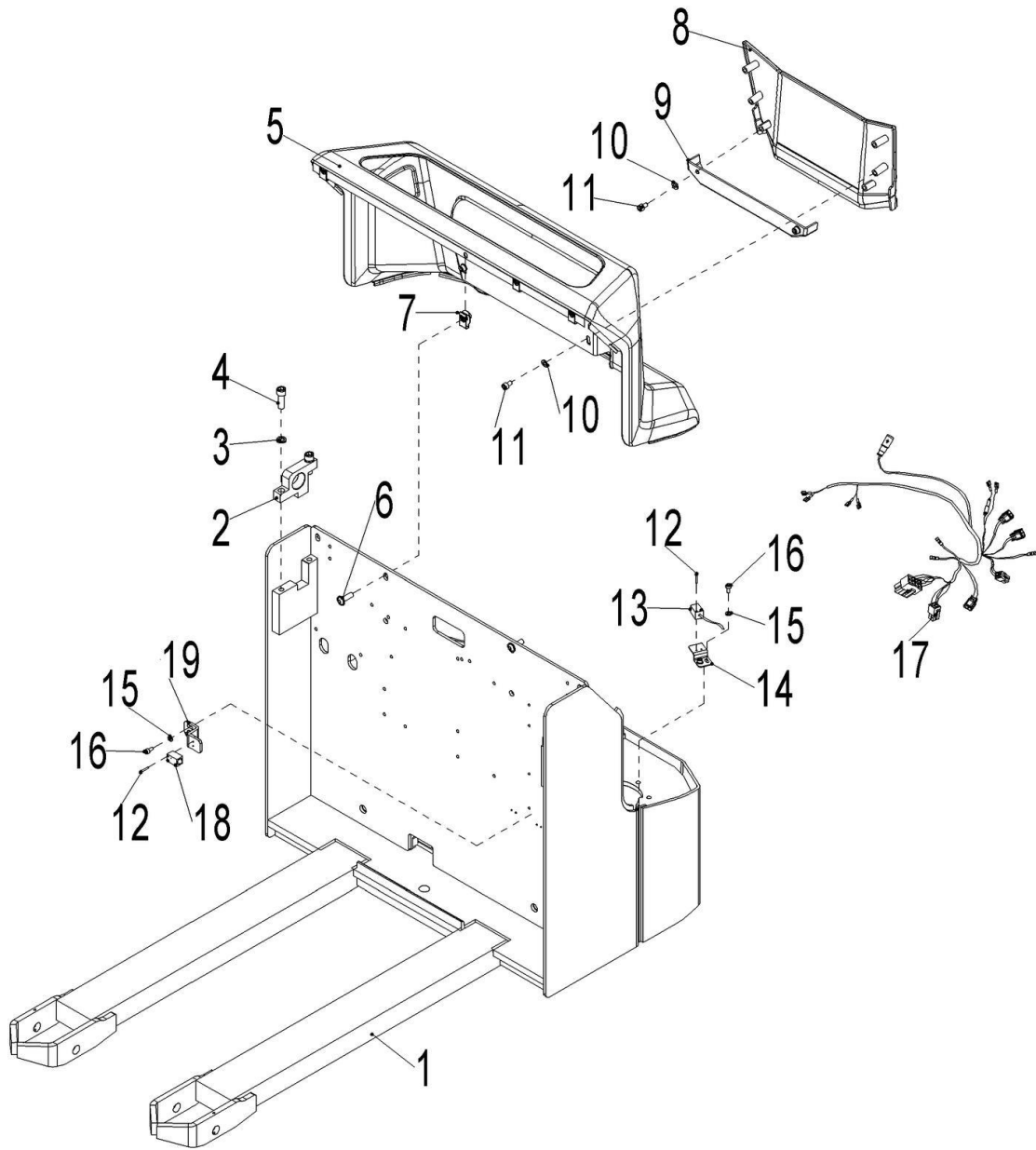


Fig.2 Chassis

No.	Art No.	Description	Qty.	Note
1	532221510001	Chassis welding	1	570x1150
	532221510002	Chassis welding	1	685x1150
2	532221520020	Mounting plate	2	
3	910400500008	Washer GB93-12	4	
4	910200200099	Screw GB70.1-M12x35-8.8	4	
5	532221510003	Main cover	1	
6	941100100004	Screw M10x30-8.8	4	
7	940400400003	Floating nut M10-t(3-5)	4	
8	532221520024	Cover	1	
9	532221520025	Cover	1	
10	910400100006	Washer GB97.1-8-200HV	6	
11	910200200053	Screw GB70.1-M8x12-8.8	6	
12	910200500015	Screw GB818-M3x20-4.8	2	two stage mast
			4	one stage mast
13	920200400029 - 2	Proximity switch	1	
14	532221520023	Mounting plate	1	Speed reduction on curve
15	910400100005	Washer GB97.1-6-200HV	2	two stage mast
			4	one stage mast
16	910200200033	Screw GB70.1-M6x12-8.8	2	two stage mast
			4	one stage mast
17	532233010000	Main control wiring harness	1	PS E12B
	532233010001 - 1	Main control wiring harness	1	PS E12N
18	920200400030 - 2	Proximity switch	1	only one stage mast
19	532243020012	Plate	1	

Fig.3 Load roller components

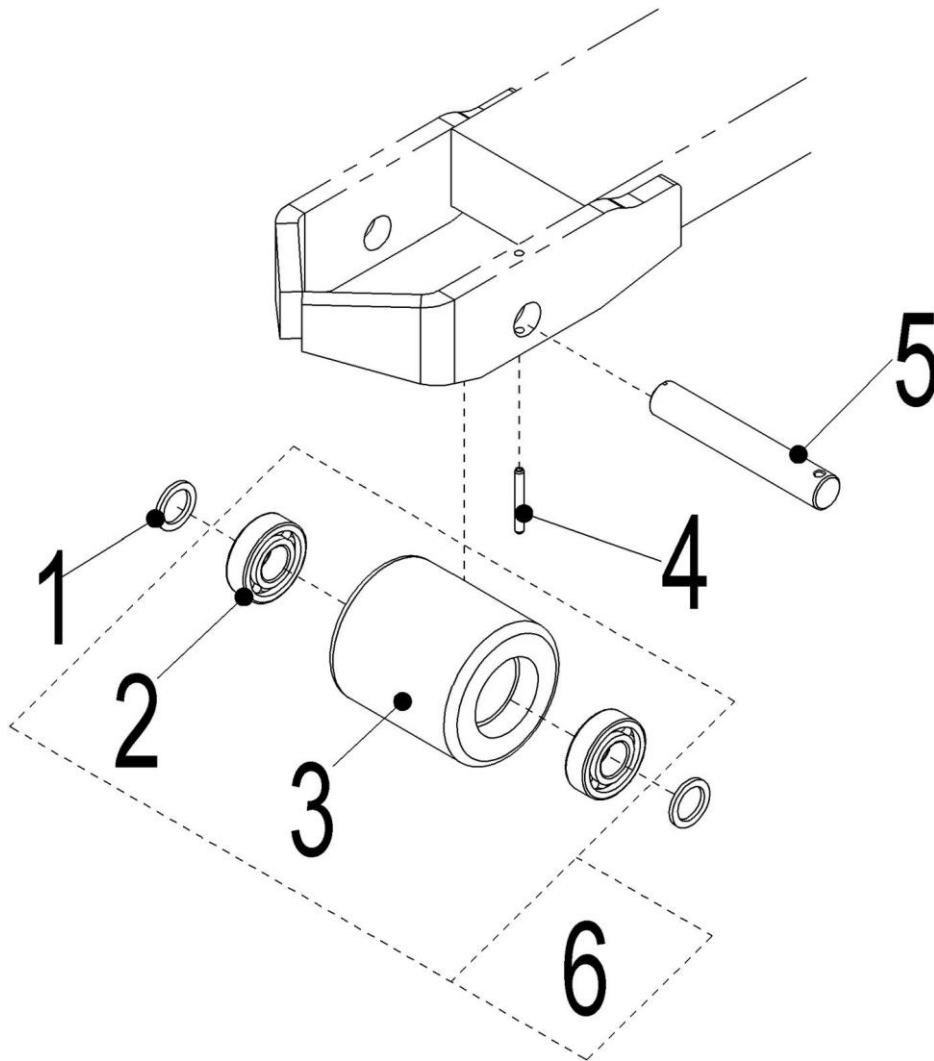


Fig.3 Load Roller Components

No.	Art No.	Description	Qty.	Note
1	940600500050	Washer $\Phi 28 \times \Phi 20 \times 3$	4	
2	910700200019	Bearing GB276-6204-2RS	4	
3	940300300011	Roller $\Phi 84 \times 93$ (Steel core PU)	2	
4	910600400028	Elastic cylindrical pin 5x40	2	
5	532217020001	Small axle $\Phi 20 \times 124$	2	
6	532298510003 - 20	Load roller components	2	

Fig.4 Driving unit

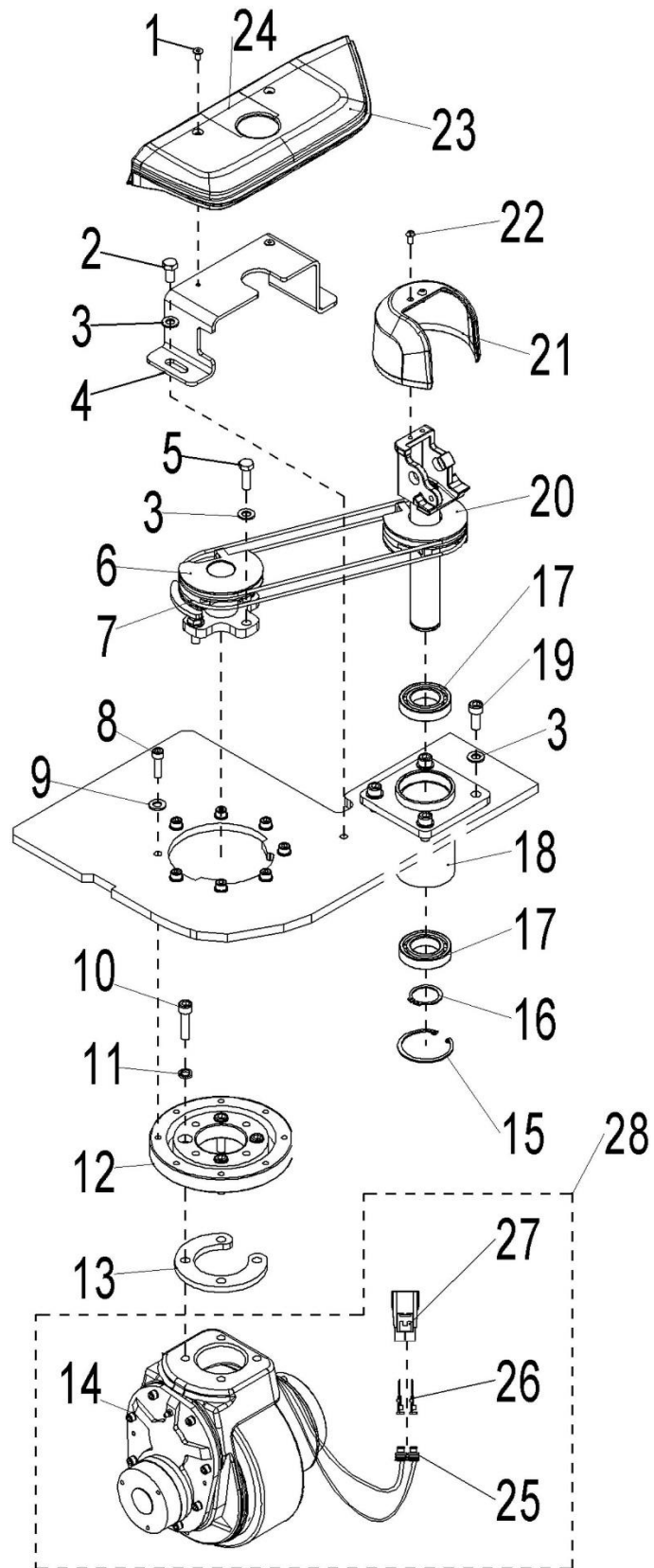


Fig.4 Driving Unit

No.	Art No.	Description	Qty.	Note
1	910200400016	Screw GB70.3-M6x12-8.8	2	
2	910100300035	Bolt GB5783-M10x20-8.8	2	
3	910400100007	Washer GB97.1-10-200HV	10	
4	532231220008	Mounting base	1	
5	910100300037	Bolt GB5783-M10x30-8.8	4	
6	532231210001 - 1	Driving axle welding	1	
7	532231210004 - 6	Belt components	2	
8	910200200138	Screw GB70.1-M8x30-12.9	8	
9	910400100006	Washer GB97.1-8-200HV	8	
10	910200200079	Screw GB70.1-M10x40-8.8	4	
11	910400500007	Washer GB93-10	4	
12	532213520001 - 3	Rotating bearing	1	
13	532213520002	Linking plate	1	
14	940900100008	Driving assembly	1	
15	910401400018	Circlip GB893.1-62	1	
16	910401300018	Circlip GB894.1-35	1	
17	910700200007	Bearing GB276-6007-2RS	2	
18	532231210003	Linking base welding	1	
19	910200200076	Screw GB70.1-M10x25-8.8	4	
20	532231210002 - 1	Tiller axle welding	1	
21	532211020001	Protective cover	1	
22	910200300017	Screw GB70.2-M6x12-8.8	2	
23	532231220010	Cover	1	
24	532231220011	Cover	1	
25	920400200171	plug DJ7021-8-13	2	
26	920400200172	plug DJ611F-8.0X0.8E	2	
27	920400200169	plug DJ7021-8-11	1	
28	532298510025	Driving components	1	

Fig.5 Driving wheel components

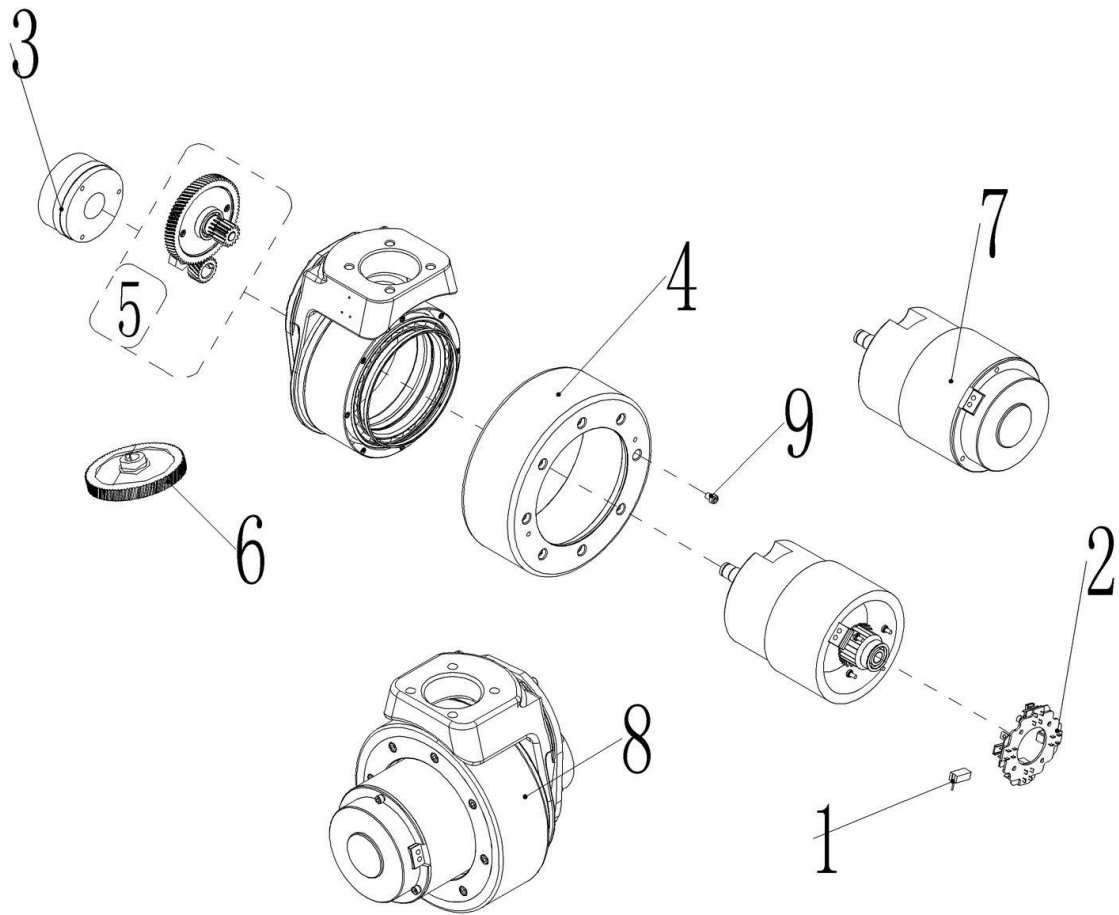


Fig.5 Driving Wheel Components

No.	Art No.	Description	Qty.	Note
1	508098520000	Carbon brush	4	
2	508098520001	Carbon brush holder	1	
3	508098520002	Brake	1	
4	508098520003	Rubber wheel	1	
5	508098510015	Gear components	1	
6	508098520004	Gear ring	1	
7	508098510016	Motor components	1	
8	940900100008	Driving components	1	
9	910200200167	Screw washer components M6 x20-8.8	8	

Fig.6 Cylinder

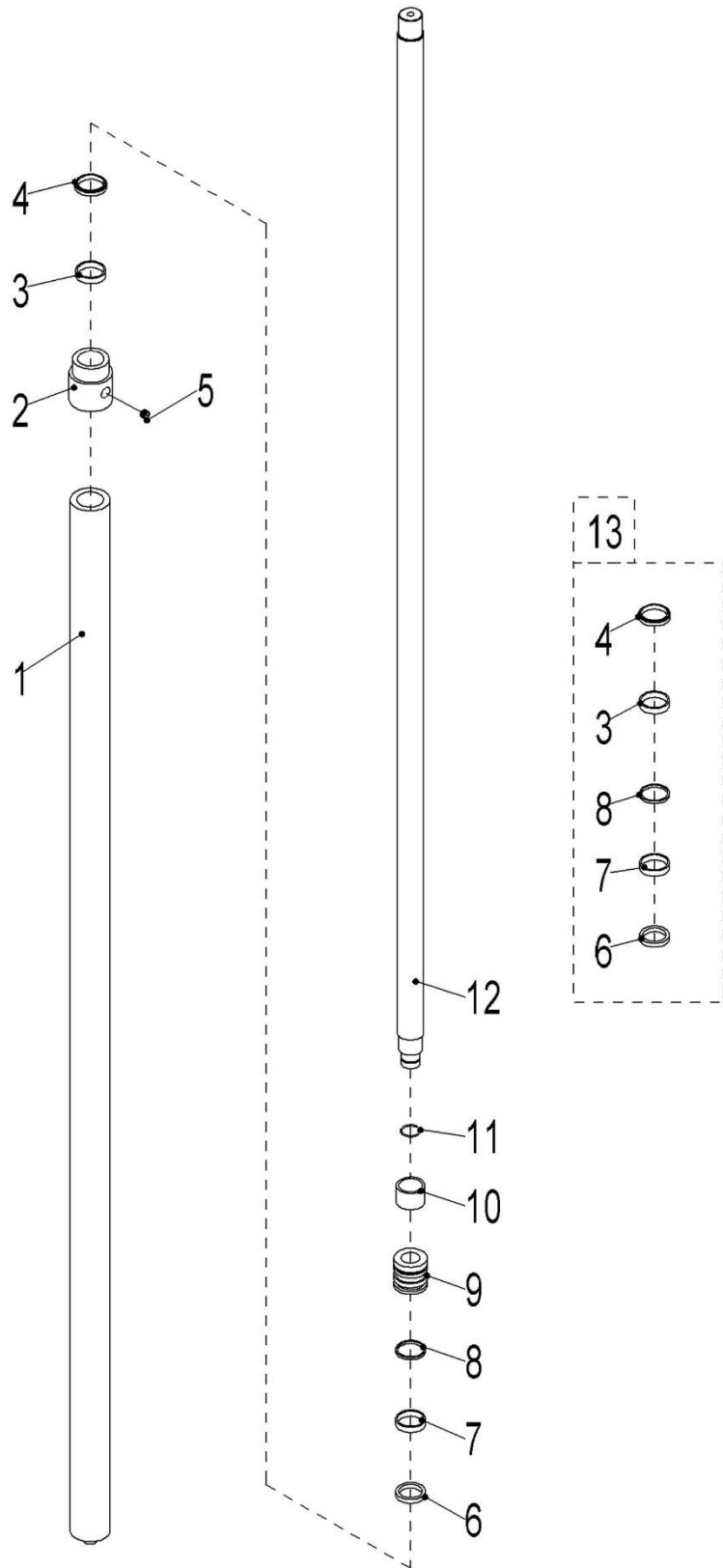


Fig.6 Cylinder

No.	Art No.	Description	Qty.	Note
1	532244010008	Cylinder tube welding	1	3600
	532244010010			3200
	532244010011			2900
	532243020014			1600
	532243020017			2000
2	532244020018	Guiding ring	1	
3	910800500008	Supporting ring 40x45x10	1	
4	910800400009	Dust ring FC40x48x6.5	1	
5	534198520007	Vent hole	1	
6	910800300006	Seal ring Y50x40x6	1	
7	910800500011	Support ring 50x45x10	1	
8	910800100050	O RING –external 50x3.1	1	
9	532244020020	Piston	1	two stage mast
	532243020015			one stage mast
10	532244020019	Bushing	1	
11	910401500011	Circlip GB895.1-28	1	
12	532244020017	Piston rod	1	3600
	532244020021			3200
	532244020022			2900
	532243020013			1600
	532243020016			2000
13	532298510002 - 10	Sealing components	1	

Fig.7 Power unit

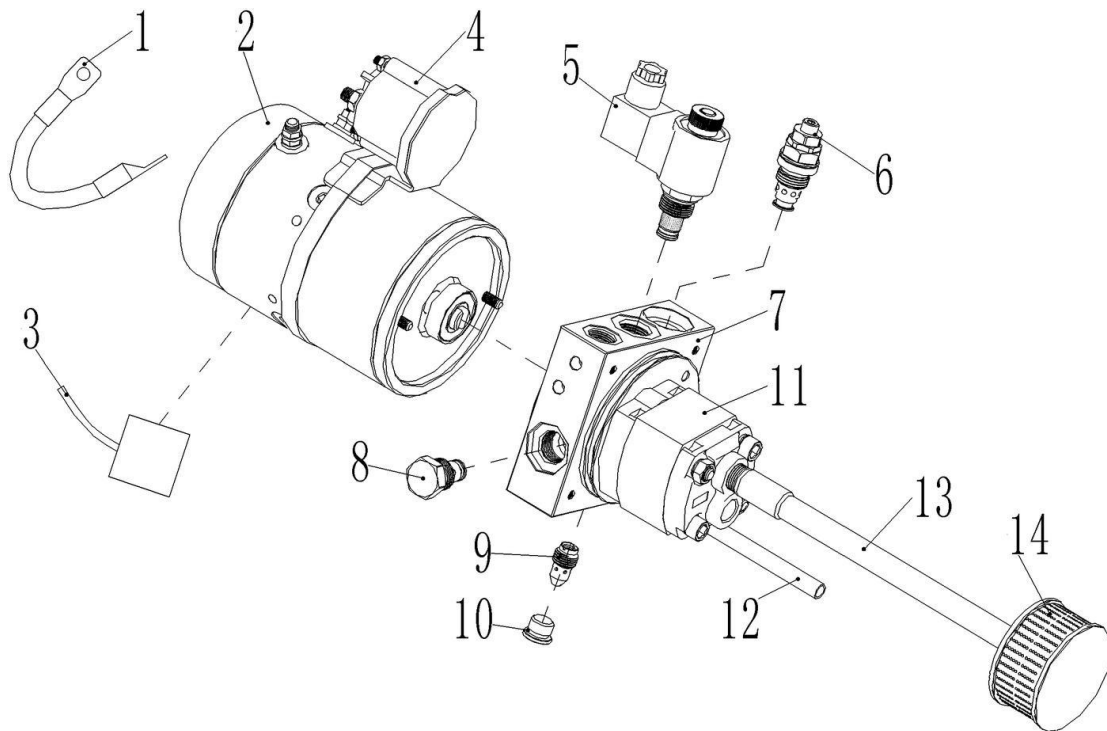


Fig.7 Power Unit

No.	Art No.	Description	Qty.	Note
1	532298510008	Soft connection cable	1	
2	532298510009	DC Motor	1	24V/2.2KW
3	532298510010 -2	Electric brush	1	
4	532298510011 - 3	Contactor	1	24V
5	532298510012 -2	Electromagnetic valve	1	
6	532298510013	Overflow valve	1	
7	532298510014	Valve body	1	
8	532298510015	Check valve	1	
9	532298510016	Flow control valve	1	8L/min
10	532298510017	Plug	1	
11	532298510018	Gear pump	1	2.0cc/r
12	532298510019	Oil return pipe	1	
13	532298510020	Oil suction pipe	1	
14	532298510021	Filter	1	

Fig.8 Hydraulic components

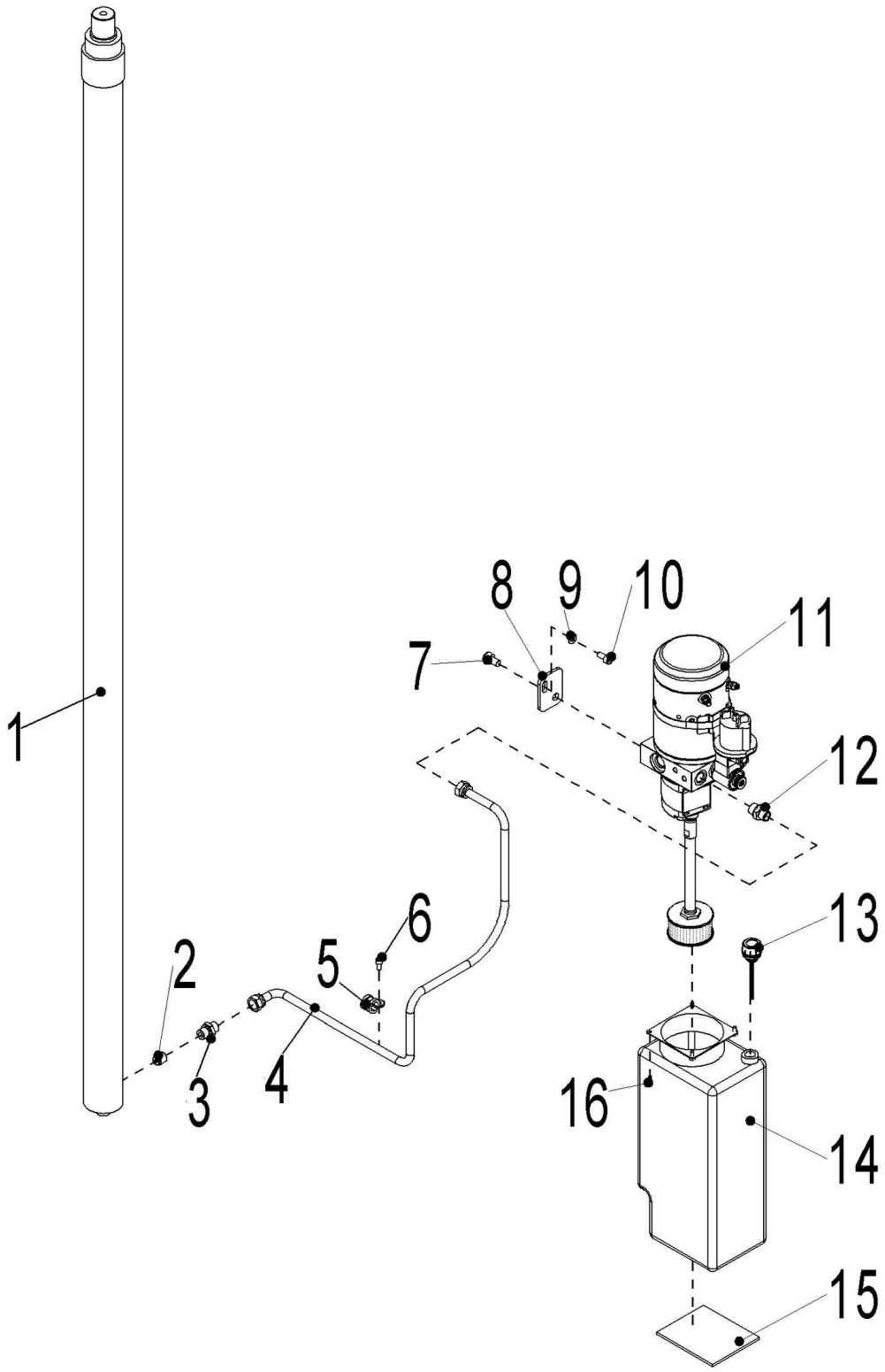


Fig.8 Hydraulic Components

No.	Art No.	Description	Qty.	Note
1	532244010004	Cylinder $\Phi 50 \times \Phi 40 \times 1790$	1	3600
	532244010009	Cylinder $\Phi 50 \times \Phi 40 \times 1590$	1	3200
	532244010001	Cylinder $\Phi 50 \times \Phi 40 \times 1440$	1	2900
	532243010001	Cylinder $\Phi 50 \times \Phi 40 \times 770$	1	1600
	532243010004	Cylinder $\Phi 50 \times \Phi 40 \times 970$	1	2000
2	950600300001	Safety valve M16x1.5	1	
3	950400300007	Joint 10-G3/8-M16x1.5-24°	1	
4	532224020001 - 1	Hydraulic hose assembly 10-L400-1SC-24°	1	
5	951000100003	Clamp	1	
6	910200200033	Screw GB70.1-M6x12-8.8	1	
7	910200200074	Screw GB70.1-M10x16-8.8	2	
8	532223520001	Linking plate	2	
9	910400100006	Washer GB97.1-8-200HV	2	
10	910200200053	Screw GB70.1-M8x12-8.8	2	
11	950900100063 - 1	Hydraulic power unit 24V2.2KW2.00cc	1	
12	950400400003	Joint 10-2xM16x1.5-24°	1	
13	532223520003	Vent hole G3/8	1	
14	532223520004 - 1	Oil tank	1	
15	532223520002	Damping pad 120*100*4	1	
16	910100800001	Screw GB5789-M5x8-8.8	4	

Fig.9 Steering wheel components

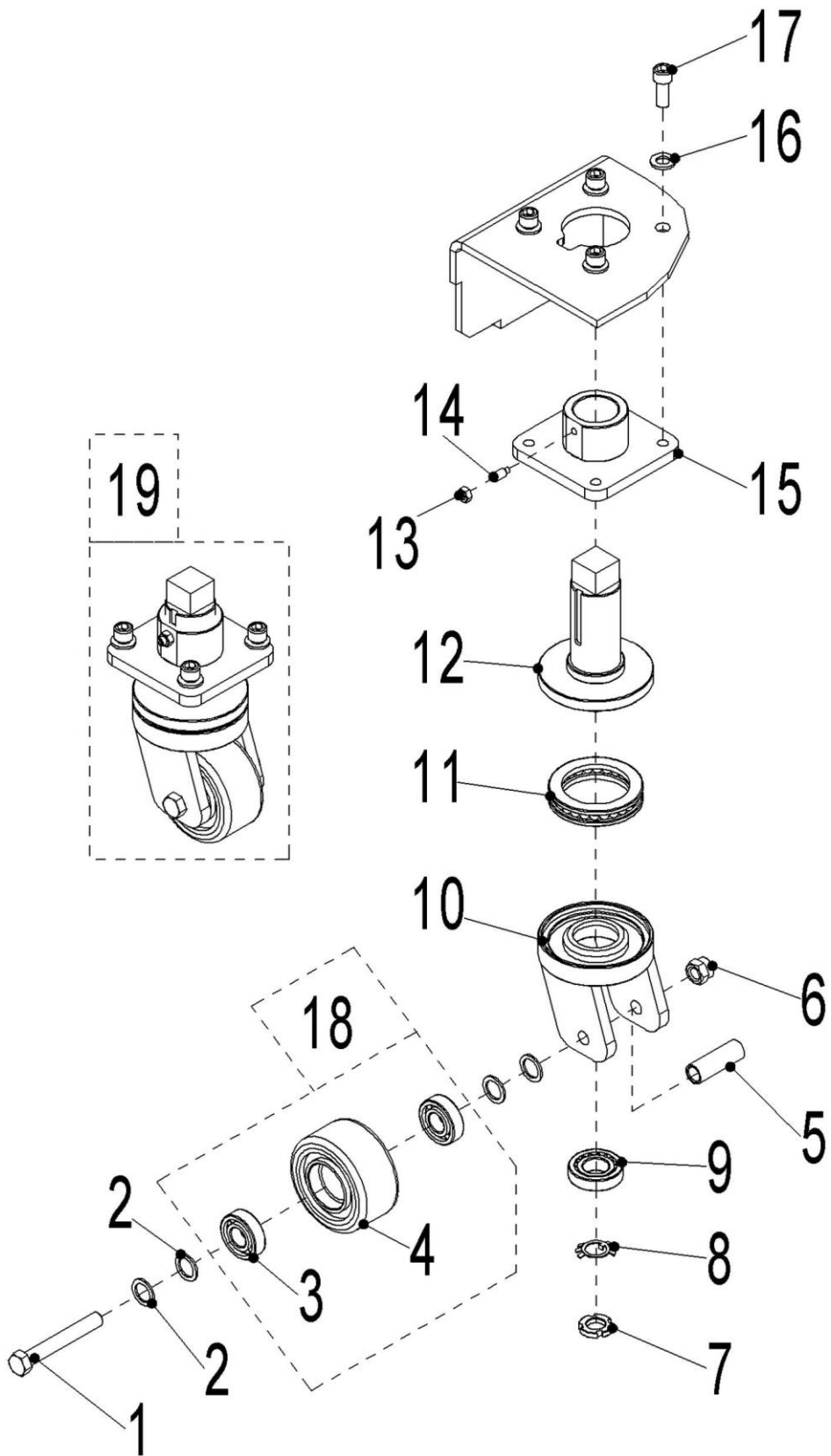


Fig.9 Steering Wheel Components

No.	Art No.	Description	Qty.	Note
1	910100100069	Bolt GB5782-M14x100-8.8	1	
2	940600500005	Washer Φ 28x Φ 20x2	4	
3	910700200019	Bearing GB276-6204-2RS	2	
4	940300300030	Roller Φ 100x50(Steel core PU)	1	
5	532216520006	Bushing	1	
6	910300500007	Nut GB889.1-M14-10	1	
7	910300700008	Nut GB810-M20x1.5	1	
8	910400900002	Washer GB858-20	1	
9	910700600001	Bearing GB297-30205	1	
10	532216510001	Wheel frame welding	1	
11	910700700011	Bearing GB301-51113	1	
12	532216510002	Small axle welding	1	
13	910300100006	Nut GB6170-M8-10	1	
14	910201000012	Screw GB79-M8x20-45H	1	
15	532216510003	Fixing base welding	1	
16	910400100008	Washer GB97.1-12-200HV	4	
17	910200200098	Screw GB70.1-M12x30-8.8	4	
18	532298510004 - 10	Steering wheeling components	1	
19	532216501001 - 4	Steering wheeling assembly	1	

Fig.10 Control panel components

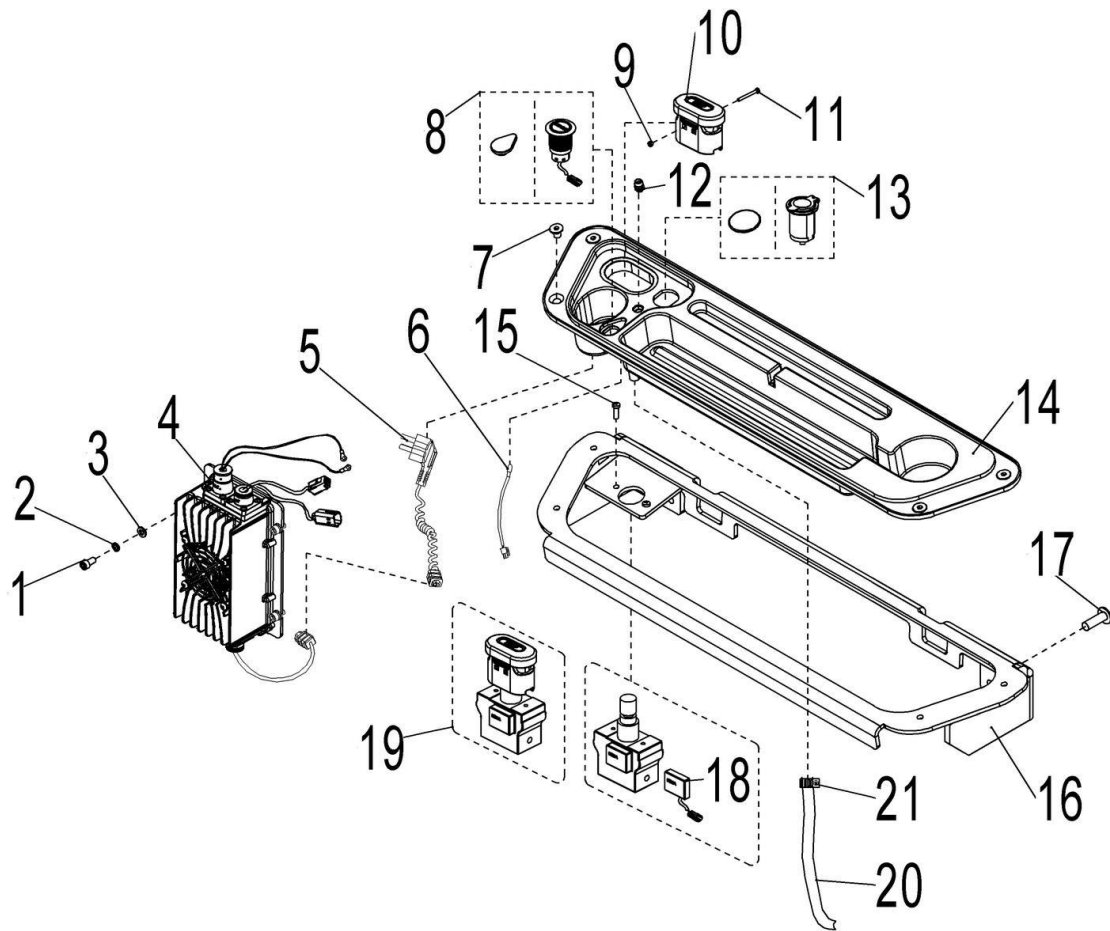


Fig.10 Control Panel Components

No.	Art No.	Description	Qty.	Note
1	910200200033	Screw GB70.1-M6x12-8.8	4	
2	910400500005	Washer GB93-6	4	
3	910400100005	Washer GB97.1-6-200HV	4	
4	921000100051 - 1	Charger WT24V12A	1	PS E12B
	921000100052 - 1	Lithium battery charger WT24V25A	1	PS E12N
5	921500200008	Spring cord 3x0.75	1	Asia
	921500200005		1	EU
	921500200003		1	AUS
	921500200004		1	ENG
	921500200002		1	US
	921500200037		1	Argentina
	921500200006		1	ITY
	921500200007		1	Sweden
921500200029	1	Israel		
6	532298510006	Charger BDI	1	
7	910200400023	Screw GB70.3-M8x10-8.8	4	
8	532210020002	Cap	1	PS E12B
	532233010023 - 2	Button switch	1	PS E12N
9	910300100002	Nut	2	M3
10	920200100006	Mounting base	1	
11	910200500017	Screw	2	M3x30
12	922000100024	Light base	1	
13	532210020003	Cap (USB)	1	PS E12B
	206033010036 - 2	USB port	1	PS E12N
14	532210020001	Panel	1	
15	910200500040	Screw	2	M5x16
16	532210010001	Mounting plate welding	1	
17	941100100005	Screw	4	M10x15-8.8
18	920200100011	Micro switch	1	
19	920200100007 - 3	Emergency switch	1	ZDK32-350-1
20	532210020008	Water hose Φ12	1	
21	911000600008	Hose clamps	1	

Fig.11 Tiller head

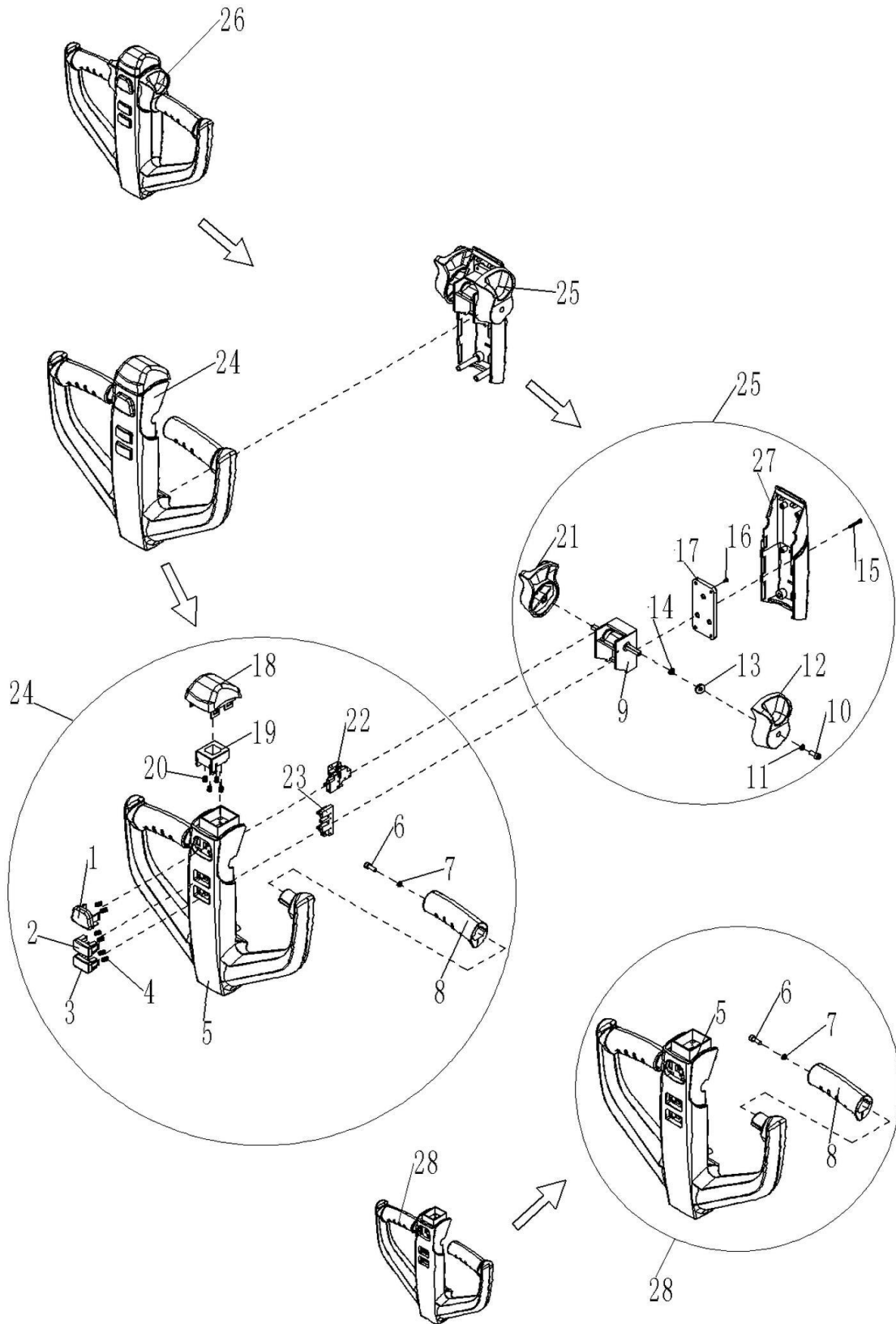


Fig.11 Tiller Head

No.	Art No.	Description	Qty.	Note
1	508098520029	Horn	1	
2	508098520030	Lifting button	1	
3	508098520031	Lowering button	1	
4	502311020022	Spring 0.6	6	Height 16
5	508098520012	Tiller body	1	
6	910200200058	Bolt	2	M8*25
7	910400500006	Washer	2	Φ8
8	508098520013	Grip	2	
9	532298510005	Accelerator assembly	1	PS E12B
	532298510007	Accelerator assembly	1	PS E12N
10	910200200003	Bolt	2	M3*12
11	910400500002	Washer	2	Φ3
12	508098520014	Left driving knob	1	
13	508098520015	Axle external bushing	2	
14	508098520016	Axle internal bushing	2	
15	910200200159	Screw GB70.1-M5x50-8.8	2	M5*50
16	910202000001	Screw	3	M4*6
17	508098520017	Accelerator fixing plate	1	
18	508098520018	Belly button seat	1	
19	508098520019	Belly button internal seat	1	
20	502311020018	Spring 0.8	4	高 11
21	508098520020	Right driving knob	1	
22	508098510029	Micro switch Components	1	
23	508098510030	Micro switch Components	1	
24	508098510031	Tiller upper cover components	1	
25	532298510022 - 2	Tiller bottom cover components	1	PS E12B
	532298510023 - 2	Tiller bottom cover components	1	PS E12N
26	922100100021 - 1	Tiller N200(12C-3)	1	PS E12B
	922100100028 - 1	Tiller N200(12C-2.1)	1	PS E12N

27	508098510039	Tiller front part components	1	
28	508098510046	Tiller upper cover kits	1	

Fig.12 Tiller arm components

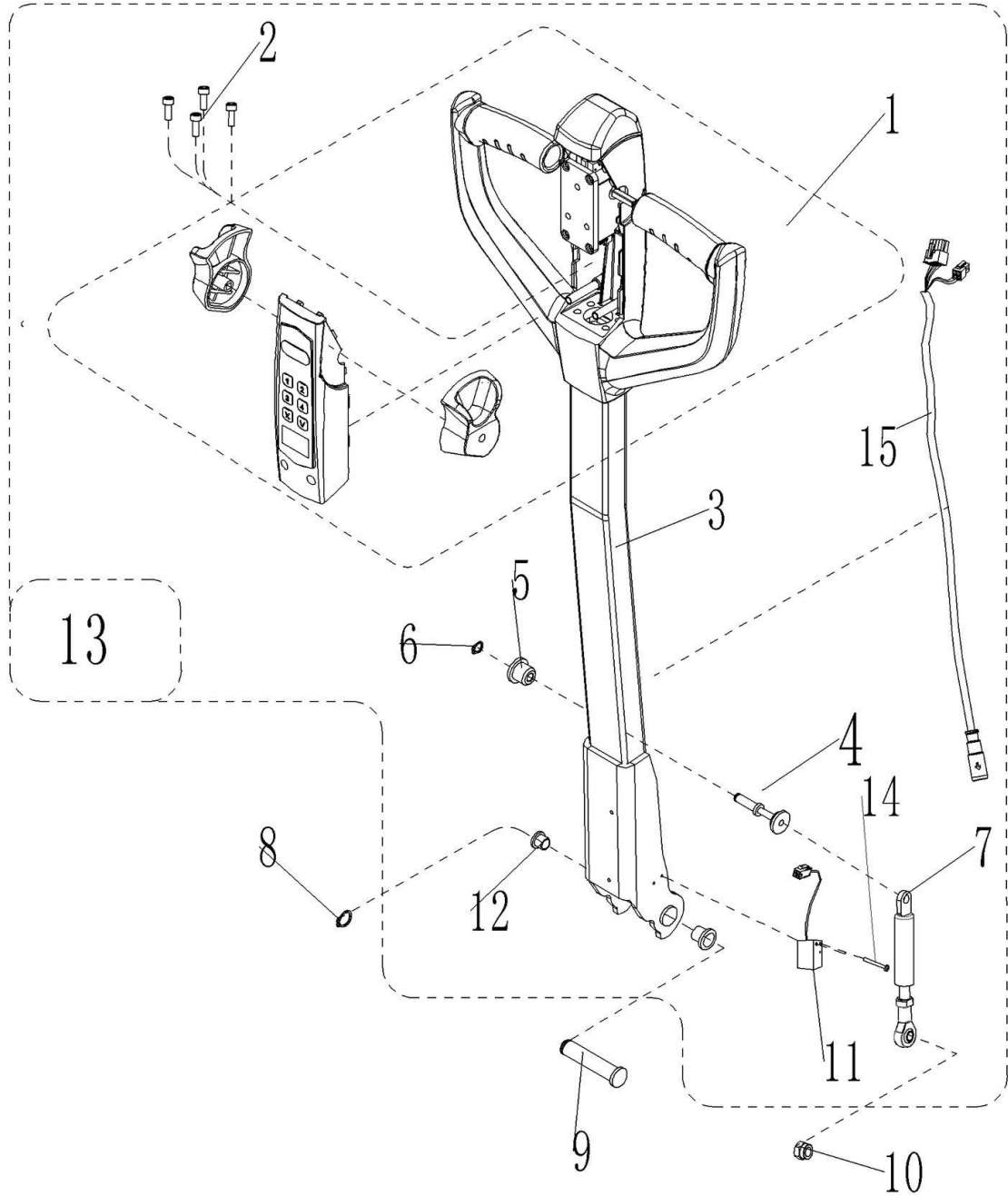
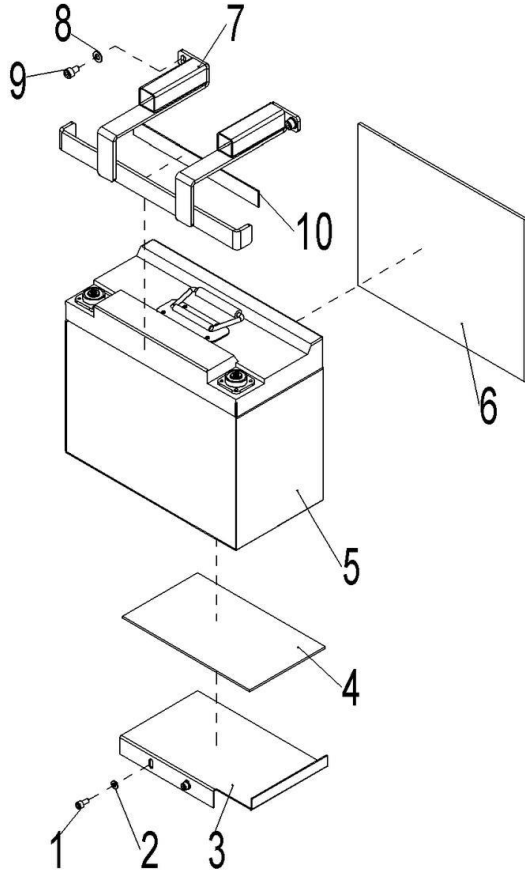


Fig.12 Tiller Arm Components

No.	Art No.	Description	Qty.	Note
1	922100100021	Tiller N200(12C-3)	1	PS E12B
	922100100028	Tiller N200(12C-2.1)	1	PS E12N
2	910200200040	Screw GB70.1-M6x35-8.8	4	
3	532211010000	Tiller arm welding	1	
4	508011010002	Fixing axle welding	1	
5	508011020005	Fixing base	1	
6	910401300001	Circlip GB894.1-8	1	
7	532211020003 - 10	Air spring 650N(D245)	1	
8	910401300006	Circlip GB894.1-15	1	
9	508011020004	Pin Φ 15x70	1	
10	910200200057	Screw GB70.1-M8x20-8.8	1	
11	505633510001	Proximity switch NBN5-F7-E2(600mm)	1	
12	940500200001	Bushing with shoulder Φ 15x Φ 17x9-SF-1	2	
13	532298510001	Tiller Components	1	PS E12B
	532298510024	Tiller Components	1	PS E12N
14	910200500015	Screw GB818-M3x20-4.8	2	
15	532233010019 - 1	Tiller wiring harness	1	

Fig.13 Battery component

PSE 12N



PSE 12B

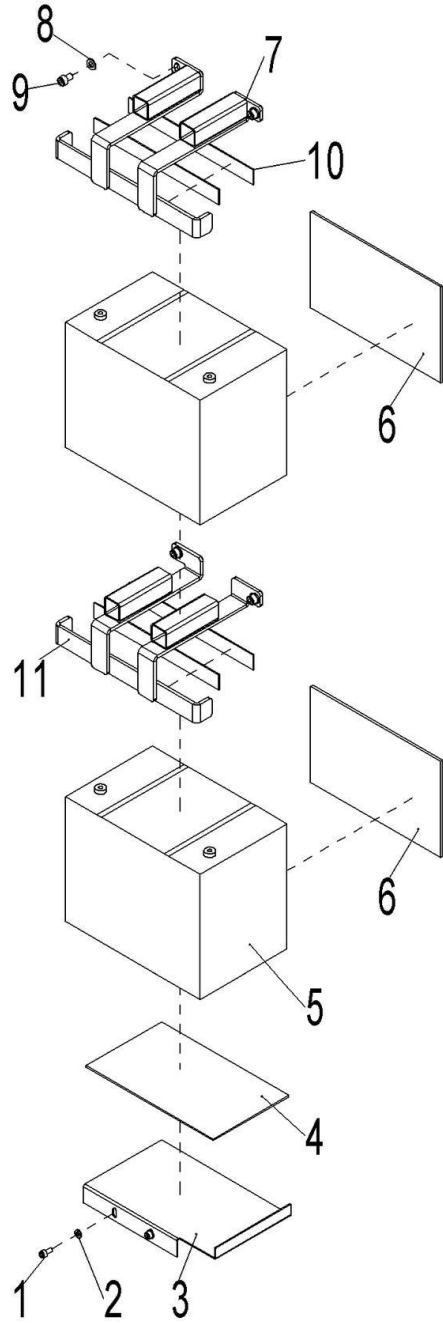


Fig.13 Battery component

No.	Art No.	Description	Qty.	Note
1	910200200033	screw GB70.1-M6x12-8.8	2	
2	910400100005	Washer GB97.1-6-200HV	2	
3	532212520006	Mounting plate	1	
4	532233020004	Damping pad 245*145*4	1	PS E12N / PS E12B (80Ah)
5	920600100082	Lithium battery 24V60AH1HR	1	PS E12N
	920600100080	battery 12V80Ah3HR	2	PS E12B (80Ah)
	920600100081	battery 12V100Ah3HR	2	PS E12B (100Ah)
6	532233020002	Damping pad 250*160*4	1	PS E12N
			2	PS E12B
7	532212510003	Mounting plate	1	PS E12N / PS E12B (100Ah)
	532212510001	Mounting plate	1	PS E12B (80Ah)
8	910400100006	Washer GB97.1-8-200HV	2	PS E12N
			4	PS E12B
9	910200200053	screw GB70.1-M8x12-8.8	2	PS E12N
			4	PS E12B
10	532233020005	Damping pad 240*25*2	1	PS E12N
			4	PS E12B (80Ah)
11	532212510002	Mounting plate	1	PS E12B (80Ah)
	532212510004	Mounting plate	1	PS E12B (100Ah)

Fig.14 Mast component (two stage mast)

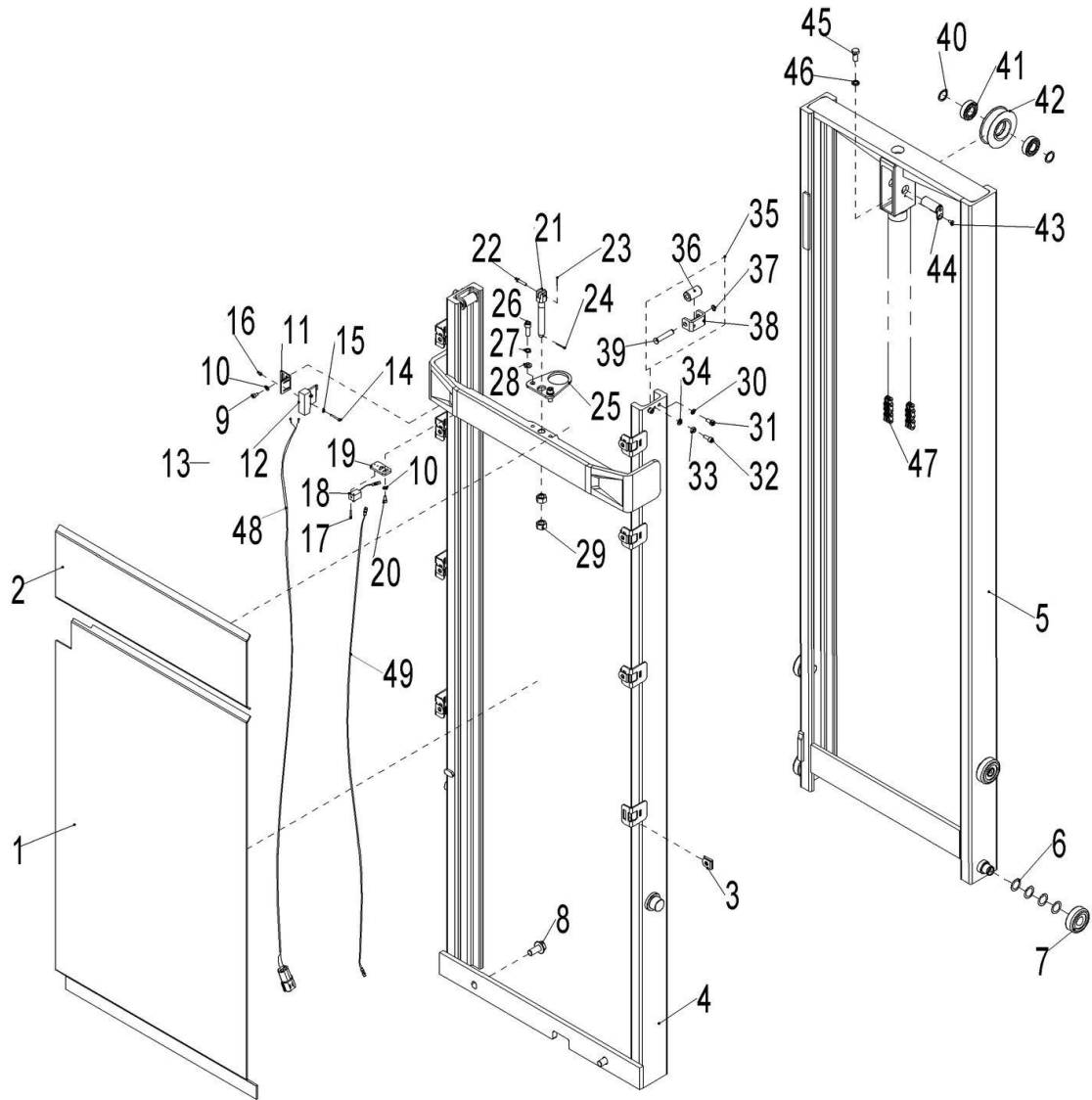


Fig.14 Mast component (two stage mast)

No	Art No.	Description	Qty	Note
1	532244020034	Protective board 4x715x925	1	290 0
	532244020033	Protective board 4x715x1075	1	320 0
	532244020031	Protective board 4x715x1275	1	360 0
2	532244020030	Protective board 4x715x251	1	
3	940400300001	Spring buckle	8	
4	532244010002	Outer mast welding	1	290 0
	532244010012		1	320 0
	532244010005		1	360 0
5	532244010003	Inner mast welding (2900)	1	290 0
	532244010013	Inner mast welding (3200)	1	320 0
	532244010006	Inner mast welding (3600)	1	360 0
6	940600500016	Washer $\Phi 35 \times \Phi 25 \times 0.5$	16	
7	940200100038 - 20	Roller $\Phi 70 \times \Phi 25 \times 22.5$	4	
8	910100800005	Bolt GB5789-M16x35-8.8	2	
9	910200200032	screw GB70.1-M6x10-8.8	2	
10	910400100005	Washer GB97.1-6-200HV	4	
11	532244020012	Plate	1	
12	920200300003 - 2	Proximity switch RZ-15GW2S-B3	1	
13	920200300007	Proximity switch protective cover AP-B	1	
14	910200500028	screw GB818-M4x30-4.8	2	
15	910400100003	Washer GB97.1-4-200HV	2	
16	910300500001	Nut GB889.1-M4-10	2	
17	910200500015	screw GB818-M3x20-4.8	2	
18	920200400030 - 4	Proximity switch	1	
19	532244020029	Plate	1	

20	910200200033	screw GB70.1-M6x12-8.8	2	
21	206044520060 – 1+	Bolt M16x1.5-137	1	
22	941100800010	Pin B6x30-c1B	1	
23	910600600015	Split pin GB91-2x20	1	
24	910600600019	Split pin GB91-2.5x25	1	
25	532244020027 -	Plate	1	
26	910200200077	screw GB70.1-M10x30-8.8	2	
27	910400500007	Washer GB93-10	2	
28	910400100007	Washer GB97.1-10-200HV	2	
29	910300200008	Nut GB6171-M16x1.5-10	2	
30	910400500006	Washer GB93-8	4	
31	910200200055	screw GB70.1-M8x16-8.8	4	
32	910200200057	screw GB70.1-M8x20-8.8	2	
33	910300100006	Nut GB6170-M8-10	2	
34	910400100006	Washer GB97.1-8-200HV	2	
35	400244010002 - 5	Roller component	2	
36	401744020000	Roller $\Phi 26 \times \Phi 12 \times 43$	2	
37	910401300003	Circlips for shaft GB894.1-12	2	
38	532021520075	seat	2	
39	401744020001	pin $\Phi 12 \times 60.5$	2	
40	940600500006	Washer $\Phi 32 \times \Phi 25 \times 2$	2	
41	910700200020	Bearing GB276-6205-2RS	2	
42	940200400002 - 1	Chain wheel $\Phi 100 \times \Phi 52 \times 24$	1	
43	910200400016	screw GB70.3-M6x12-8.8	1	
44	533243510005	shaft $\Phi 25 \times 57$	1	
45	910100300049	Bolt GB5783-M12x25-8.8	1	
46	910400500008	Washer GB93-12	1	
47	532244010007 - 1	Chain LH1044-117	1	290 0
	532244010014 - 1	Chain LH1044-127	1	320 0
	206044510103 - 1	Chain LH1044-139	1	360 0
48	532233010002 - 1	Limit control wiring harness	1	
49	921500100077	Wire YLS-F-Z307AM-C	1	

Fig.15 Mast component (one stage mast)

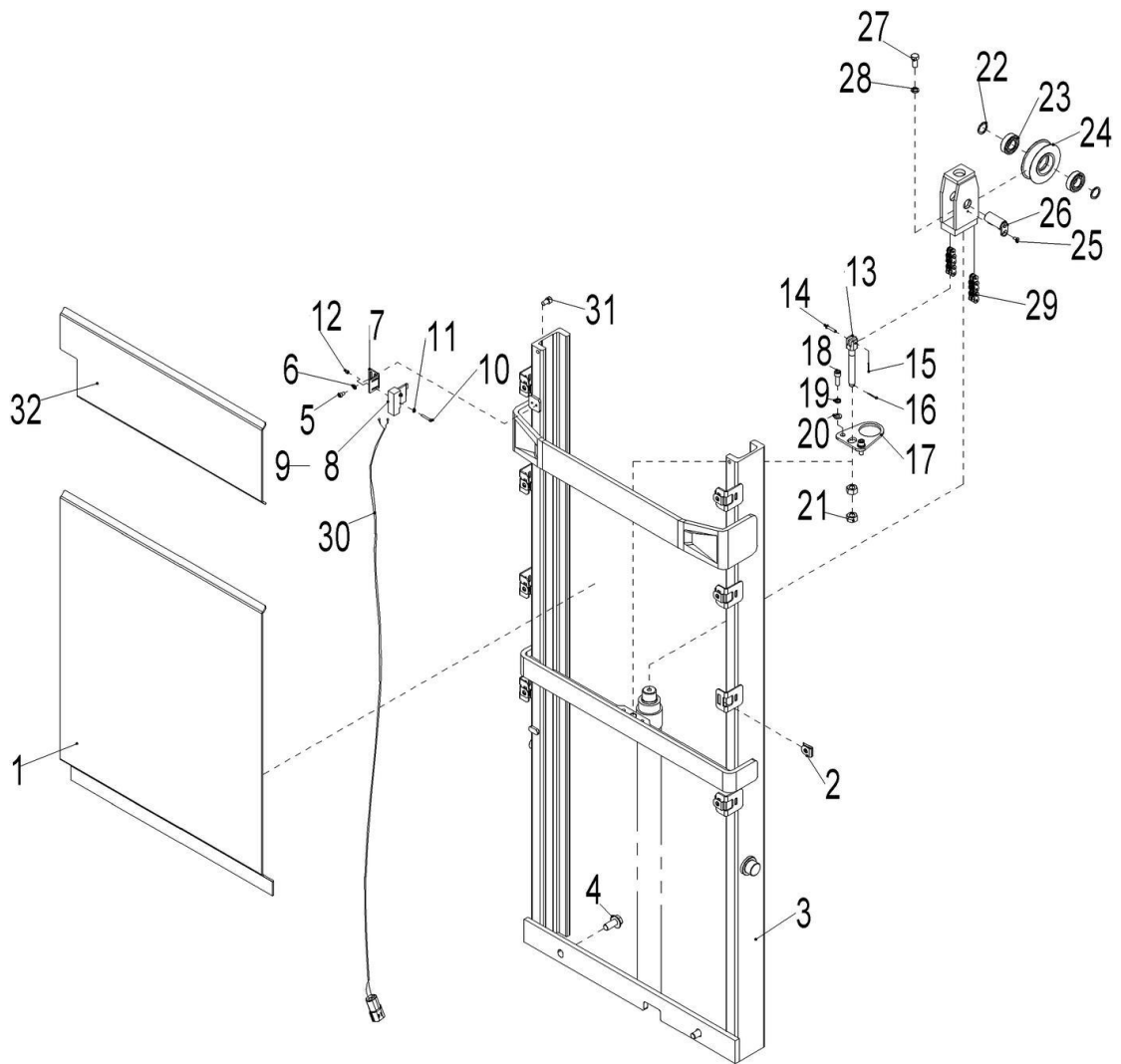


Fig.15 Mast component (one stage mast)

No.	Art No.	Description	Qty.	Note
1	532243020008 - 3	Protective board 4x715x905	1	1600
	532243020011 - 3	Protective board 4x715x1305	1	2000
2	940400300001 - 3	Spring buckle	8	
3	532243010003	Outer mast welding	1	1600
	532243010005		1	2000
4	910100800005	Bolt GB5789-M16x35-8.8	2	
5	910200200032	screw GB70.1-M6x10-8.8	2	
6	910400100005	Washer GB97.1-6-200HV	2	
7	532244020012	Plate	1	
8	920200300003	Proximity switch RZ-15GW2S-B3	1	
9	920200300007	Proximity switch protective cover AP-B	1	
10	910200500028	screw GB818-M4x30-4.8	2	
11	910400100003	Washer GB97.1-4-200HV	2	
12	910300500001	Nut GB889.1-M4-10	2	
13	206044520060	Bolt M16x1.5-137	1	
14	941100800010	Pin B6x30-c1B	1	
15	910600600015	Split pin GB91-2x20	1	
16	910600600019	Split pin GB91-2.5x25	1	
17	533244020019	Plate	1	
18	910200200077	screw GB70.1-M10x30-8.8	2	
19	910400500007	Washer GB93-10	2	
20	910400100007	Washer GB97.1-10-200HV	2	
21	910300200008	Nut GB6171-M16x1.5-10	2	
22	940600500006	Washer $\Phi 32 \times \Phi 25 \times 2$	2	
23	910700200020	Bearing GB276-6205-2RS	2	
24	940200400002	Chain wheel $\Phi 100 \times \Phi 52 \times 24$	1	
25	910200400016	screw GB70.3-M6x12-8.8	1	
26	533243510005	shaft $\Phi 25 \times 57$	1	
27	910100300049	Bolt GB5783-M12x25-8.8	1	
28	910400500008	Washer GB93-12	1	
29	532344510009	Chain LH1044-71	1	1600
	532344510004	Chain LH1044-83	1	2000
30	532233010002	Limit control wiring harness	1	
31	910200200074	screw GB70.1-M10x16-8.8	2	
32	532243020019	Protective board 4x715x253	1	

Fig.16 Controller components

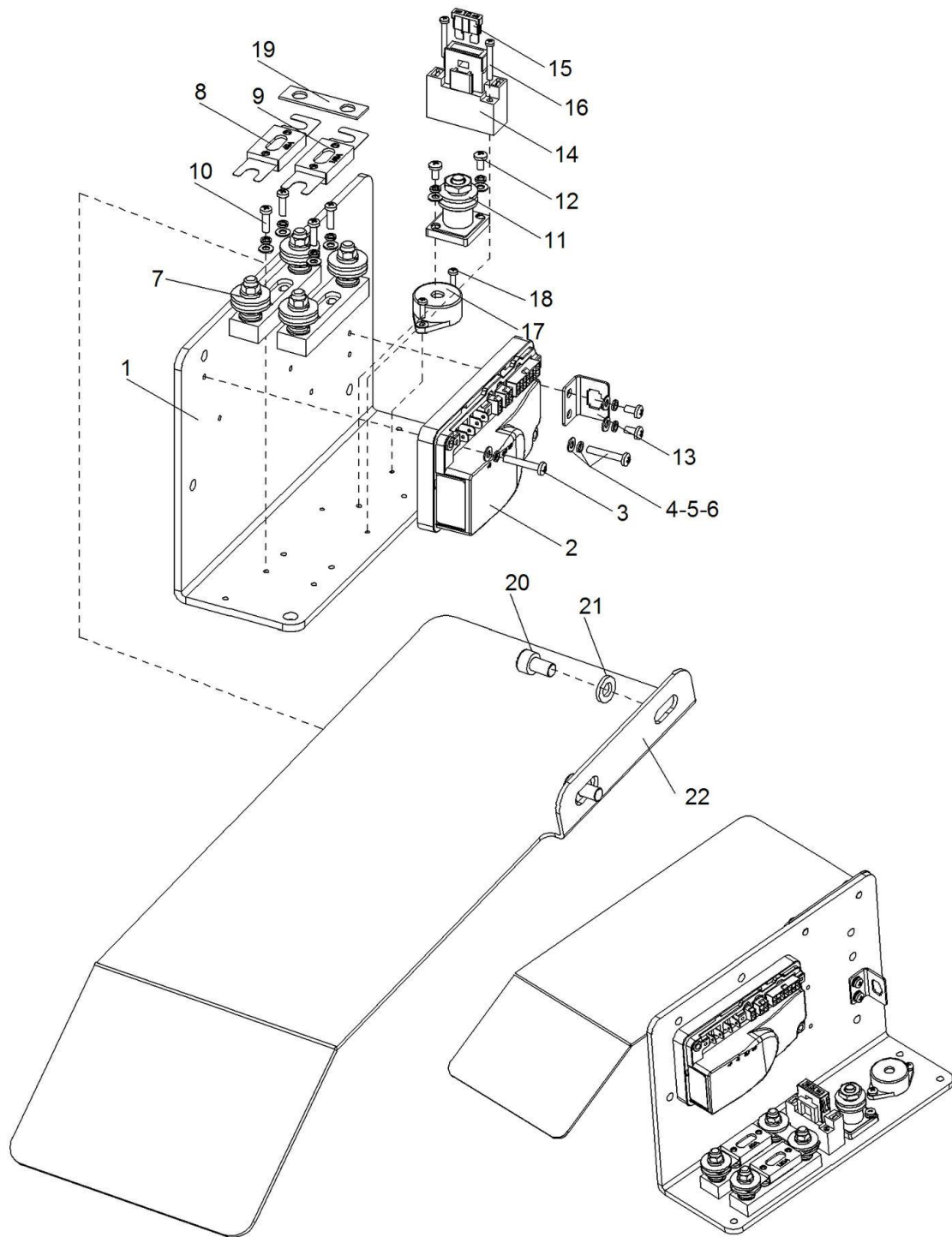


Fig.16 Controller components

No.	Art No.	Description	Qty.	Note
1	532233020001	Controller assemble plate	1	
2	921400100081 - 1	Controller 1212C-2503	1	
3	910200500027	screw GB818-M4x25-4.8	1	
4	910200500028	screw GB818-M4x30-4.8	1	
5	910400500003	Washer GB93-4	10	
6	910400100003	Washer GB97.1-4-200HV	10	
7	920100400002	Fuse seat SYY	2	
8	920100100003	Fuse 60A	1	Bolt type
9	920100100007	Fuse 150A	1	Bolt type
10	910200500024	screw GB818-M4x16-4.8	4	
11	920100400001	Fuse seat M8	1	binding post
12	910200500034	screw GB818-M4x8-4.8	4	
13	921300300003	Plug fixing frame 4 芯	1	Molex
14	920100400006	Fuse seat BD-1x10A	1	
15	920100200002	Fuse 10A	1	Insert type
16	910200500017	screw GB818-M3x30-4.8	2	
17	920500100007	Horn FSD-3015B	1	
18	910200300002	screw GB70.2-M3x8-8.8	2	
19	505633020003	Copper bar	1	
20	910200200033	screw GB70.1-M6x12-8.8	2	
21	910400100005	Washer GB97.1-6-200HV	2	
22	532221520027	Plate	1	

Fig.17 Wiring harness (PS E12B)

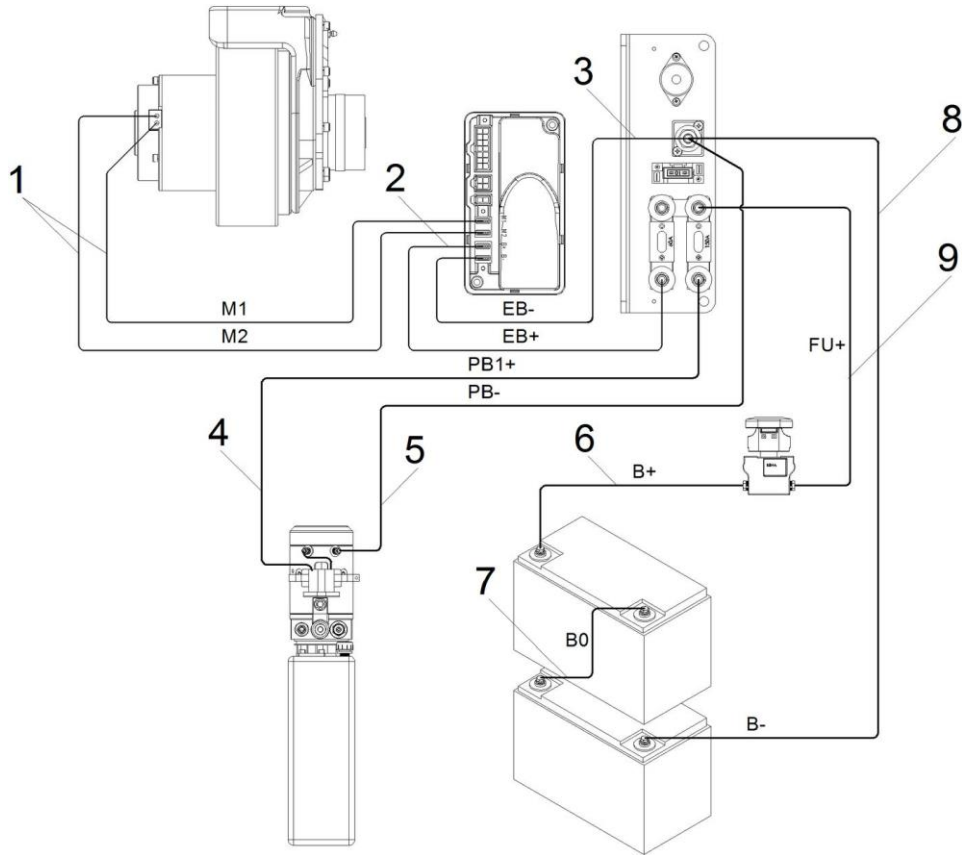


Fig.17 Wiring harness (PS E12B)

No.	Art No.	Description	Qty.	Note
1	532233010004	Motor main wiring harness	1	
2	532233010005	connection cable -EB+- 10AWG-6-6.3-190	1	
3	532233010006	connection cable -EB--10AWG- 6-6.3-340	1	
4	532233010007	cabl e -PB1+-16-8-8-1000	1	
5	532233010009	cabl e -PB--16-8-8-700	1	
6	532233010010	cabl e -B+-16-6-8-280	1	80AH
	532233010013	cabl e -B+-16-8-8-280	1	100AH
7	532233010011	cabl e -B0-16-6-6-690	1	80AH
	532233010014	cabl e -B0-16-8-8-750	1	100AH
8	532233010012	cabl e -B--16-6-8-500	1	80AH
	532233010015	cabl e -B--16-8-8-520	1	100AH
9	532233010016	cabl e -FU+-16-8-8-420	1	

Fig.18 Wiring harness (PS E12N)

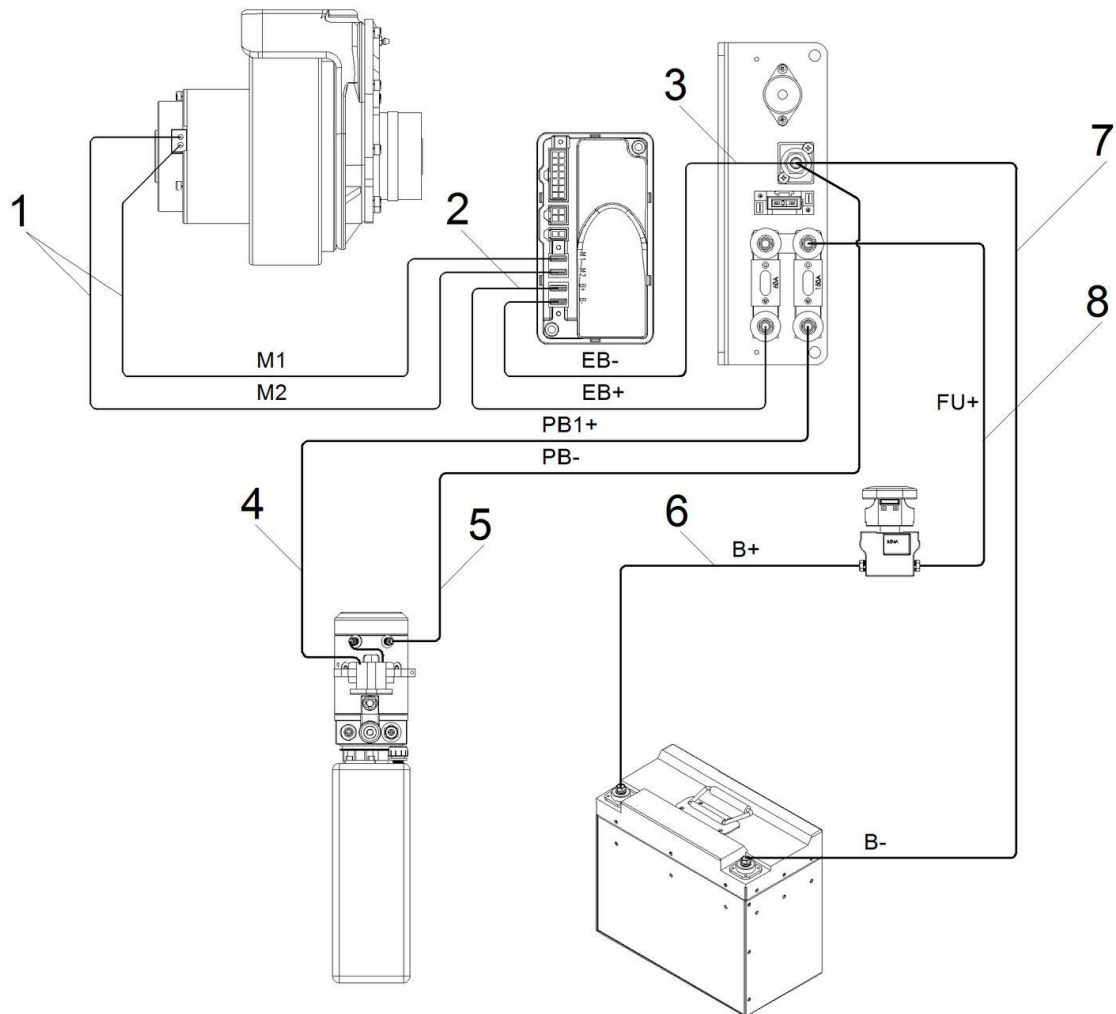


Fig.18 Wiring harness (PS E12N)

No.	Art No.	Description	Qty.	Note
1	532233010004	Motor main wiring harness	1	
2	532233010005	connection cable -EB+-10AWG-6-6.3-190	1	
3	532233010006	connection cable -EB--10AWG-6-6.3-340	1	
4	532233010007	cable -PB1+-16-8-8-1000	1	
5	532233010009	cable -PB--16-8-8-700	1	
6	532233010020	cable -B+-16-8-8-530(Li)	1	
7	532233010021	cable -B--16-8-8-620(Li)	1	
8	532233010016	cable -FU+-16-8-8-420	1	

Fig.19 Sticker (EU)

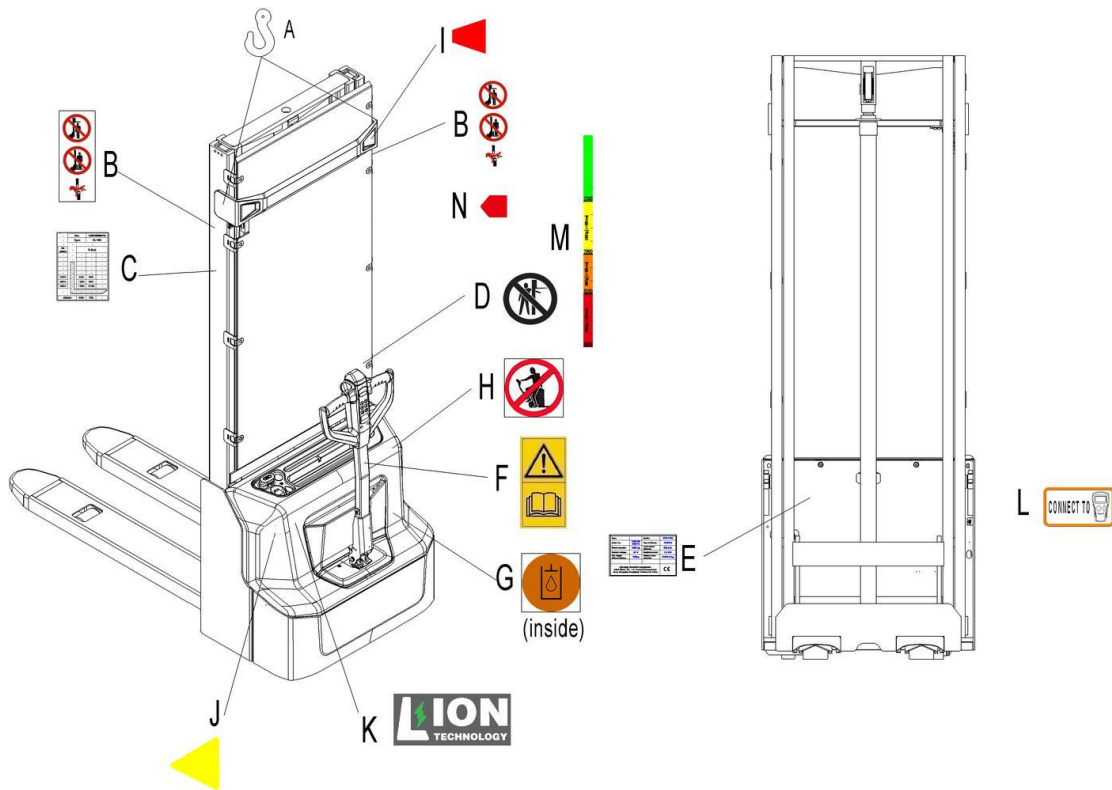


Fig.19 Sticker (EU)

No.	Art No.	Description	Qty.	Note
A	941200300001	Crane hook label	2	
B	941200100004	Warning decal: Do not step under or on the forks	2	
C	532247520001	Residual lift capacity sticker	1	
D	941200100006	Never reach through	1	
E	532247520017	Identification plate	1	
F	941200300002	Sticker to read and follow these instructions	1	
G	941200300003	Filling sticker	1	
H	941200100003	'No passengers' decal	1	
I	532247020001	Warning decal	2	
J	532247020000	Warning decal	2	
K	532247020002	Label (lithium)	1	PS E12N
L	941200300019	sticker (programmer)	1	
M	532247020003 - 5	lifting height sticker	1	two stage mast
N	532247020006	sticker (height indication)	1	

Easy worn parts list

No.	Art No.	Description	Qty.	Fig./Position	Note
1	910700200019	Bearing GB276-6204-2RS	4	Fig.3/2	
2	940300300011	Roller $\Phi 84 \times 93$ (Steel core PU)	2	Fig.3/3	
3	532298510003	Load roller components	2	Fig.3/6	
4	910800500008	Supporting ring 40x45x10	1	Fig.6/3	
5	910800400009	Dust ring FC40x48x6.5	1	Fig.6/4	
6	910800300006	Seal ring Y50x40x6	1	Fig.6/6	
7	910800500011	Support ring 50x45x10	1	Fig.6/7	
8	910800100050	O RING –external 50x3.1	1	Fig.6/8	
9	532298510002	Sealing components	1	Fig.6/13	
10	910700200019	Bearing GB276-6204-2RS	2	Fig.9/3	
11	940300300030	Roller $\Phi 100 \times 50$ (Steel core PU)	1	Fig.9/4	
12	910700600001	Bearing GB297-30205	1	Fig.9/9	
13	910700700011	Bearing GB301-51113	1	Fig.9/11	
14	532298510004	Steering wheeling components	1	Fig.9/18	
15	920100300004	Fuse 1.5A	1	Fig.10/9	
16	532211020003	Air spring 650N(D245)	1	Fig.12/7	
17	940500200001	Bushing with shoulder $\Phi 15 \times \Phi 17 \times 9$ -SF-1	2	Fig.12/12	
18	910700200020	Bearing GB276-6205-2RS	2	Fig.14/41	
19	920100100003	Fuse 60A	1	Fig.16/8	
20	920100100007	Fuse 150A	1	Fig.16/9	
21	920100200002	Fuse 10A	1	Fig.16/15	