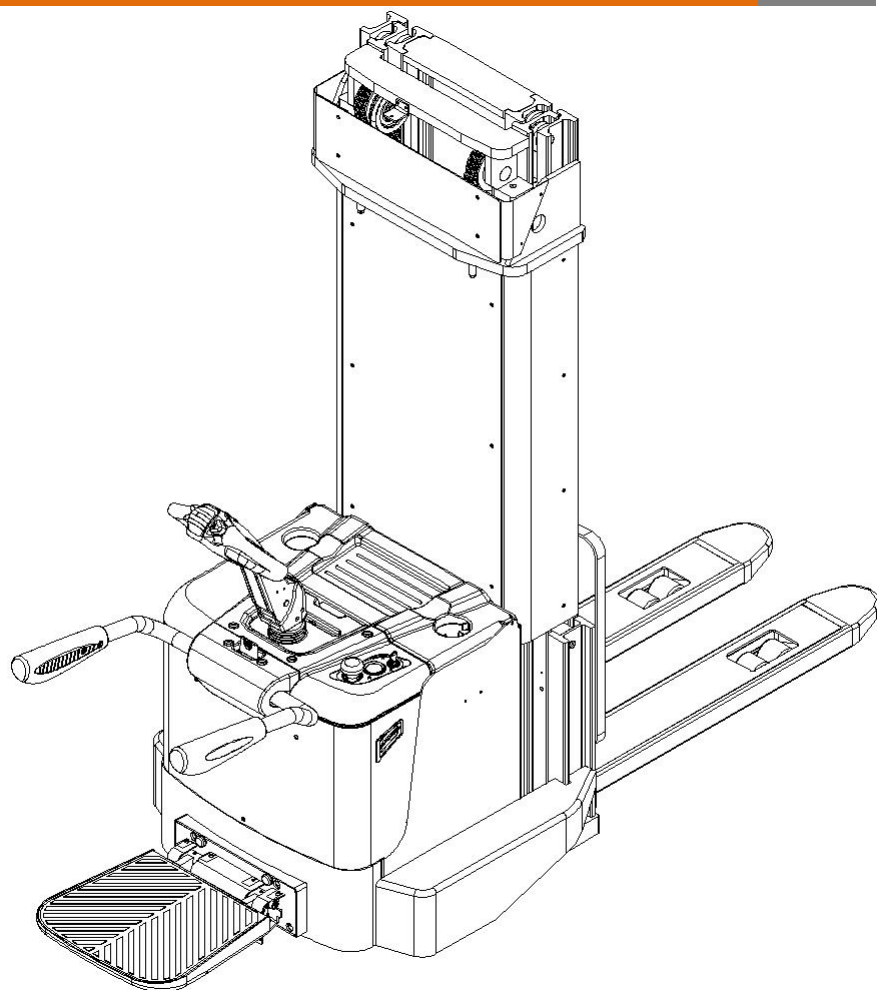


SPAREPARTS LIST

Electric Stacker PS 15/ PS 15SL



Version 10/2016

From truck identification number:

3016100001

PS 15-BPT-008-EN

Catalogue

Fig. 1 Label (for EU).....	3
Fig. 2 Label (for US).....	4
Fig. 3 Outline (Three-stage mast Full Free Lift/ Straddle leg)	5
Fig. 4 Outline (Two-stage mast/ Straddle leg).....	7
Fig. 5 Outline (Two-stage mast Full Free Lift).....	9
Fig. 6 Chassis (Three-stage mast Full Free Lift/ Two-stage mast Normal/ Two-stage mast Full Free Lift)	11
Fig. 7 Chassis (Three-stage/Two-stage mast Straddle Leg).....	12
Fig. 8 Chassis system (Three-stage mast Full Free Lift).....	13
Fig. 9 Chassis system (Three-stage mast Straddle Leg)	14
Fig. 10 Chassis system (Two-stage mast Normal/ Full Free Lift).....	16
Fig. 11 Chassis system (Two-stage mast Straddle Leg)	17
Fig. 12 Steering wheel assembly	19
Fig. 13 Load wheel assembly (tandem roller)	20
Fig. 14 Truck body.....	21
Fig. 15 Power supply.....	23
Fig. 16 Instrument assembly	25
Fig. 17 Battery cover assembly.....	26
Fig. 18 Mast system (Three-stage mast Full Free Lift/Straddle Leg)	27
Fig. 19 Mast system (Two-stage mast Normal/Straddle Leg)	29
Fig. 20 Mast system (Two-stage mast Full Free Lift)	31
Fig. 21 Mast lifting system (Three-stage mast Full Free Lift)	33
Fig. 22 Mast other accessories (Three-stage mast Full Free Lift).....	35
Fig. 23 Mast lifting system (Two-stage mast Normal/Straddle Leg)	36
Fig. 24 Mast lifting system (Three-stage mast Full Free Lift)	38
Fig. 25 Hydraulic system (Three-stage mast Full Free Lift/Straddle Leg)	40
Fig. 26 Hydraulic system (Three-stage mast Full Free Lift/Straddle Leg,proportional lifting).....	43

Fig. 27 Hydraulic system (Two-stage mast Normal/Straddle Leg)	46
Fig. 28 Hydraulic system (Two-stage mast Normal/Straddle Leg,proportional lifting).....	48
Fig. 29 Hydraulic system (Two-stage mast Full Free Lift/Straddle Leg).....	50
Fig. 30 Hydraulic system (Two-stage mast Full Free Lift/Straddle Leg,proportional lifting).....	52
Fig. 31 Outer cylinder seal kit (Three-stage mast Full Free Lift/Straddle Leg).....	54
Fig. 32 Middle cylinder seal kit (Three-stage mast Full Free Lift/Straddle Leg)	56
Fig. 33 Cylinder (Two-stage mast Normal/Straddle Leg)	58
Fig. 34 Cylinder (Two-stage mast Full Free Lift)	60
Fig. 35 Manual steering wheel carrier	61
Fig. 36 Electric power assisted steering wheel carrier	63
Fig. 37 Electric steering assembly	65
Fig. 38 Drive wheel assembly 7EL-AC-1.3	67
Fig. 39 26ELB-AC-1.3KW-R Drive wheel assembly	71
Fig. 40 Handle lever	75
Fig. 41 CANBUS Handle head.....	77
Fig. 42 High pressure pump station system (3.0KW 2.6 high pressure delivery capacity)	79
Fig. 43 Pump station system (3.0KW 3.2 delivery capacity)	81
Fig. 44 Pump station system (2.2KW 2.2 delivery capacity)	83
Fig. 45 Main circuit wiring (Electrical steering)	85
Fig. 46 Main circuit wiring (Manual steering)	86
Fig. 47 General electrical parts	87
Fig. 48 Electric control assembly(Electrical steering).....	89
Fig. 49 Electric control assembly(Manual steering)	92
Fig. 50 Foldable platform	95
Fig. 51 Protective arm	97
Fig. 52 Backrest (Normal)	99
Fig. 53 Backrest (Straddle Leg).....	100
Easy worn parts list.....	101

Fig. 1 Label (for EU)

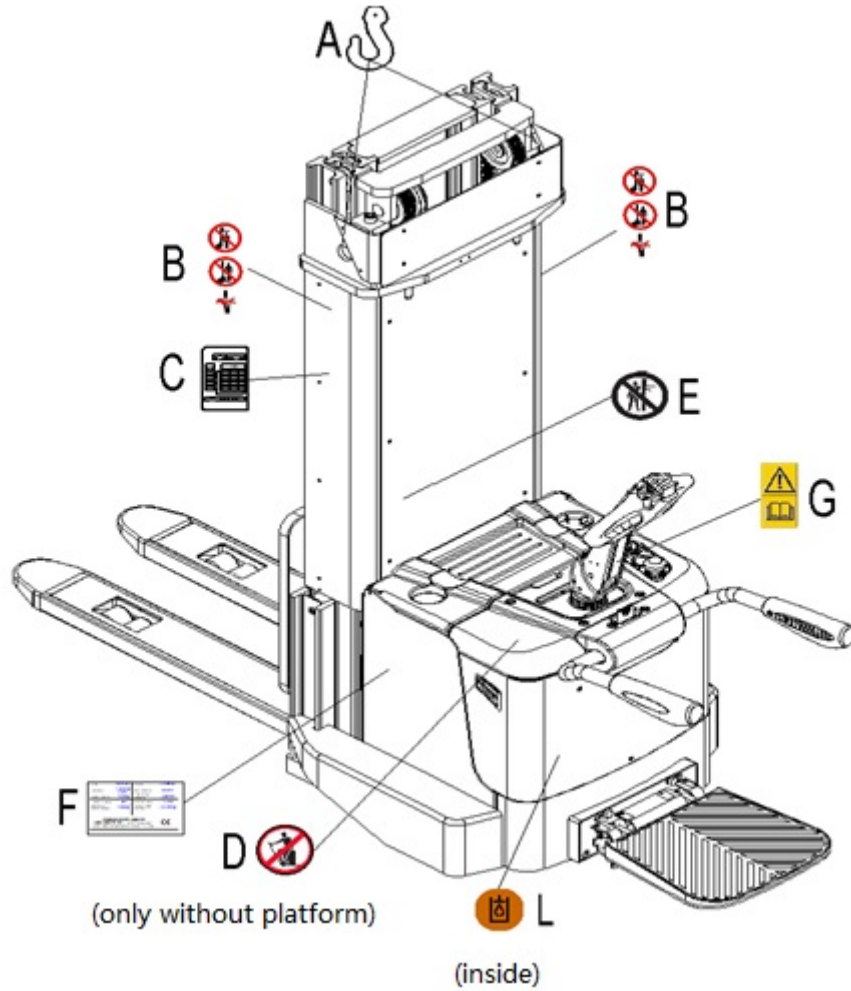


Fig. 1 Label (for EU)

No.	Parts No.	Item	Qty.	Note
A	9000005967	Crane hook label	2	
B	9000003923	Warning decal: Do not step under or on the forks	2	
C	9000008650	Residual lift capacity sticker	1	
D	9000003573	'No passengers' decal	1	
E	9000008561	Never reach through	1	
F	9000008649	Identification plate	1	
G	9000003570	Sticker to read and follow these instructions	1	
L	9000008555	Filling sticker	1	

Fig. 2 Label (for US)

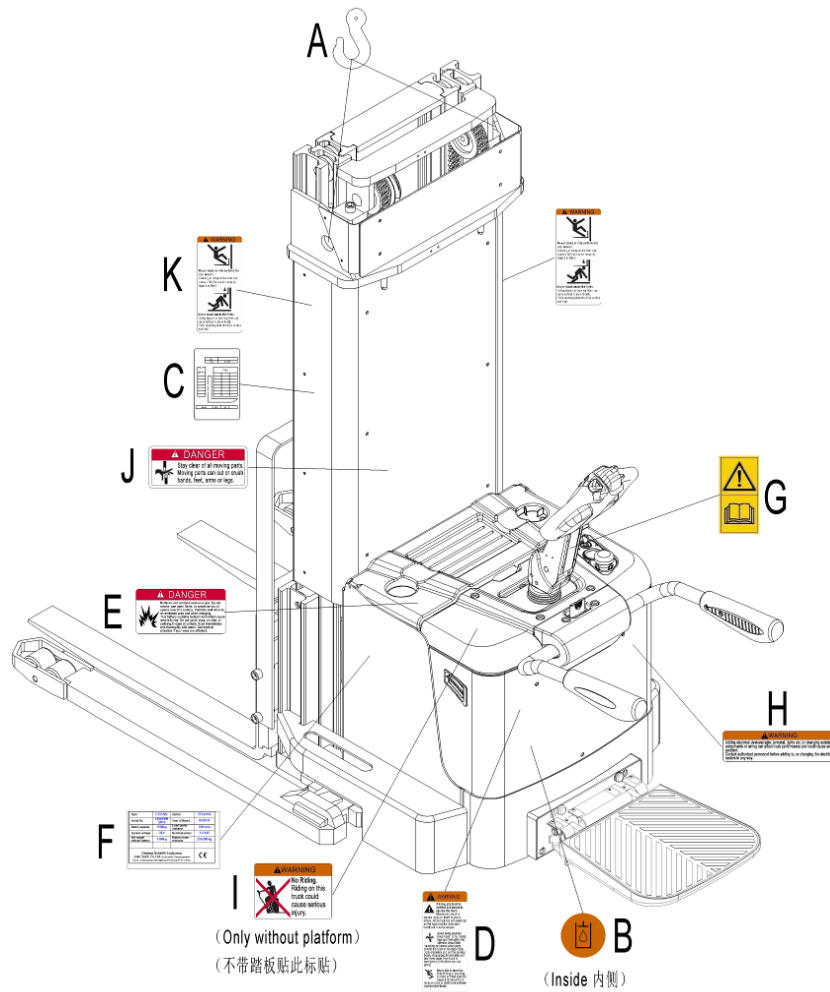


Fig. 2 Label (for US)

No.	Parts No.	Item	Qty.	Note
A	9000005967	Crane hook label	2	
B	9000008555	Filling sticker	1	
C	9000008650	Residual lift capacity sticker	1	
D	9000003575	Warning label	1	
E	9000003577	Warning label	1	
F	9000008649	Identification plate (ID-plate)	1	
G	9000003570	Sticker to read and follow these instructions	1	
H	9000003579	Warning label	1	
I	9000003580	Warning label	1	
J	9000005970	Warning label	1	
K	9000005971	Warning label	2	

Fig. 3 Outline (Three-stage mast Full Free Lift/ Straddle leg)

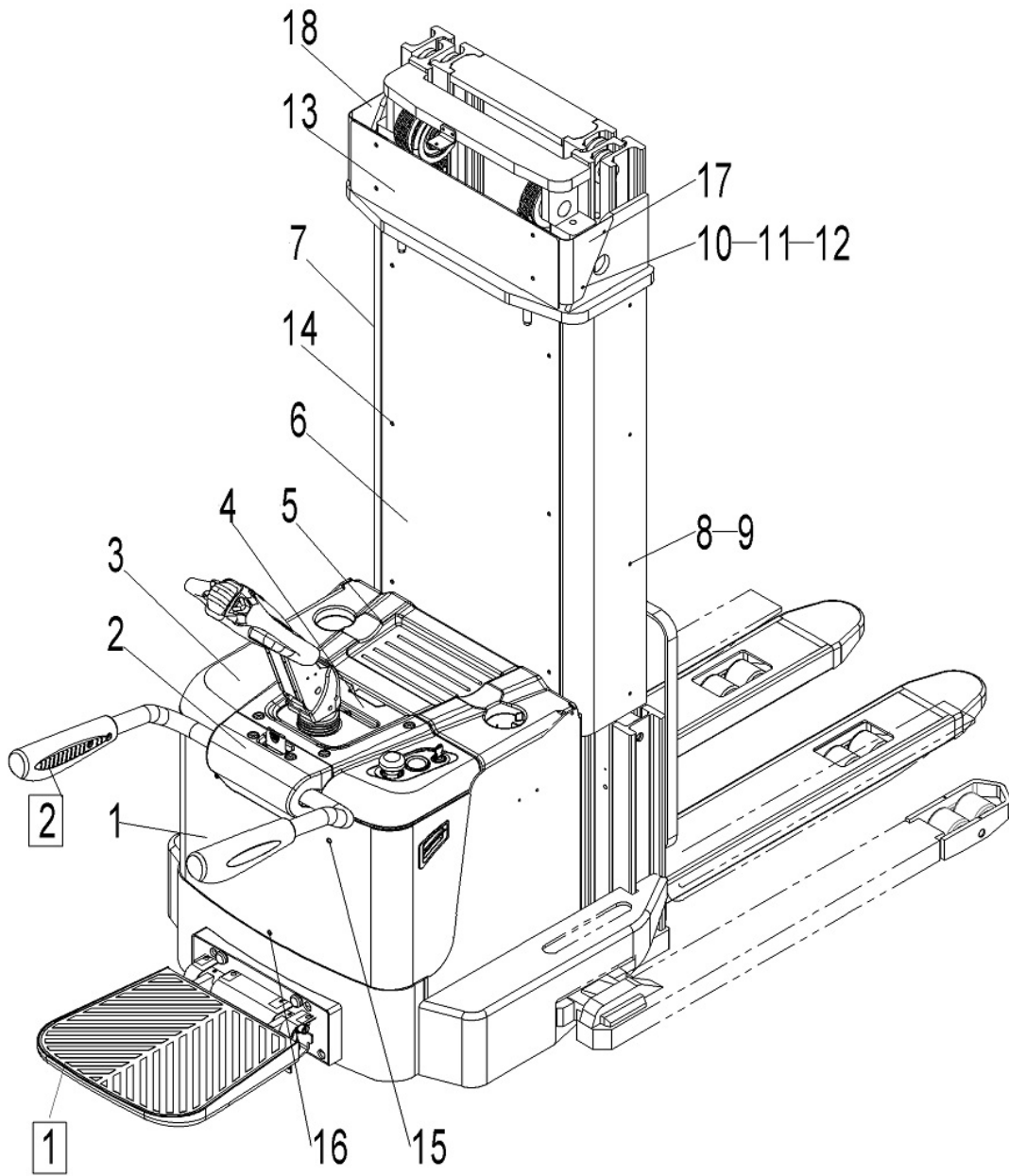


Fig. 3 Outline (Three-stage mast Full Free Lift/ Straddle leg)

No.	Art No.	Description	Qty.	Note	Standard
1	9000008061	Main cover	1		
2	9000008063	Protective arm cover	1	With protective arm	
	9000008064	Without Protective arm cover		Without protective arm	
3	9000008062	Upper cover	1		
4	9000008065	Middle cover	1		
5	9000008229	Battery cover	1		
6	9000008230	Protective board	1	5000	
	9000009063			4300	
	9000009064			4600	
	9000009065			5500	
	9000009066			6000	
7	9000008231	Protective board block	2	5000	
	9000009059			4300	
	9000009060			4600	
	9000009061			5500	
	9000009062			6000	
8	0000023519	Screw	8	M6×10	GB/T70.2=ISO7380
9	9000007785	Nut	8	M6	
10	0000023555	Screw	4	M6×16	GB/T70.2=ISO7380
11	0000025010	Washer	4	6	GB/T93
12	0000023055	Washer	4	6	GB/T95
13	9000008233	Protective board	1		
14	9000007803	Rivet	10		
15	1000423003	Screw	2	M10×30	
16	9000007793	Screw	1	M10×10	
17	9000008234	Right protective cover	1		
18	9000008235	Left protective cover	1		
①	9000007862	Platform assembly	1		
②	9000007891	Protective arm assembly	1		

Fig. 4 Outline (Two-stage mast/ Straddle leg)

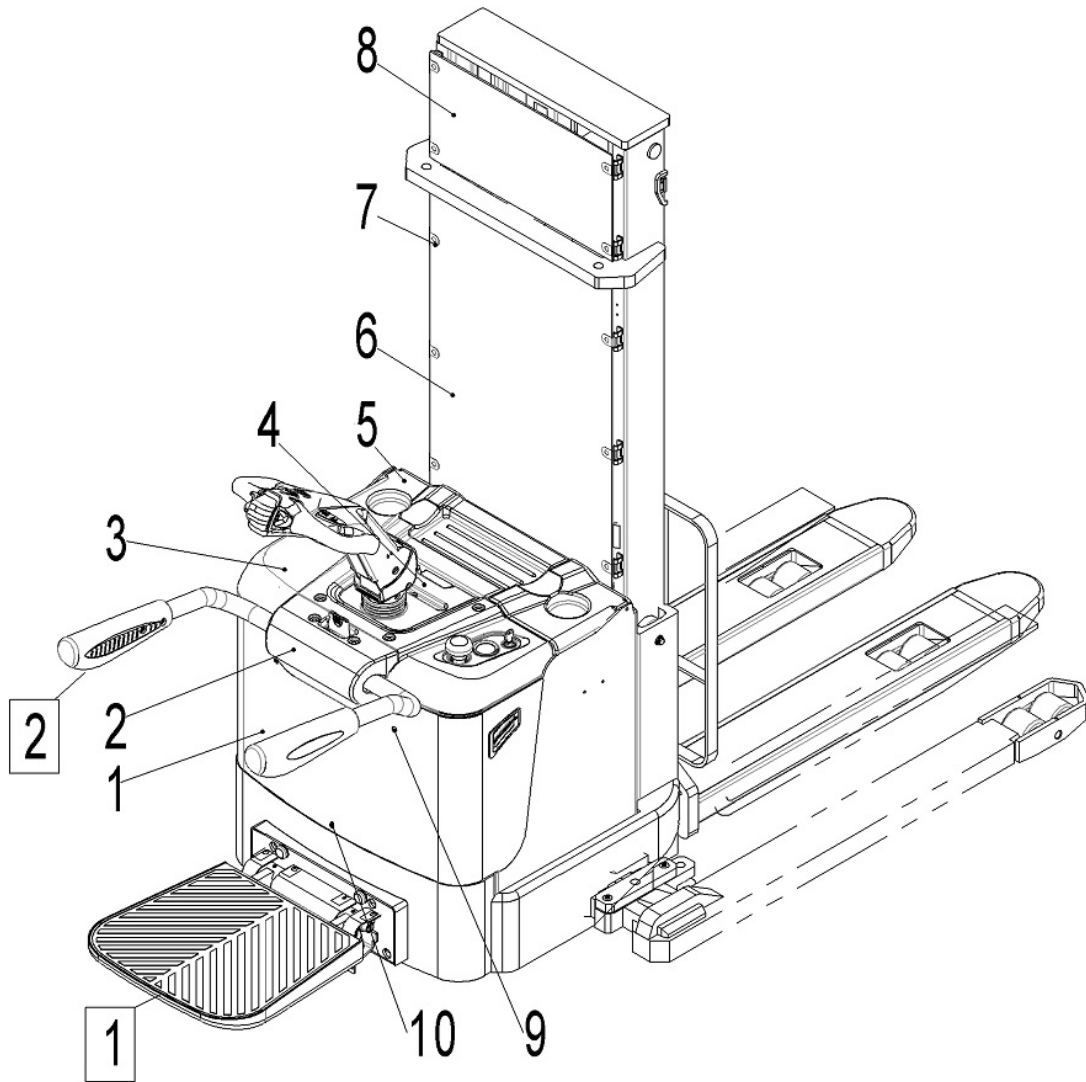


Fig. 4 Outline (Two-stage mast/ Straddle leg)

No.	Art No.	Description	Qty.	Note
1	9000008061	Main cover	1	
2	9000008063	Protective arm cover	1	With protective arm
	9000008064	Without Protective arm cover		Without protective arm
3	9000008062	Upper cover	1	
4	9000008065	Middle cover	1	
5	9000008984	Battery cover	1	
6	9000008977	Protective board	1	2900
	9000008978			3200
	9000008979			3600
	9000008980			4000
7	9000007782	Spring buckle	10	1
8	9000008972	Upper protective board	1	
9	1000423003	Screw	2	M10×30
10	9000007793	Screw	1	M10×10
①	9000007862	Platform assembly	1	
②	9000007891	Protective arm assembly	1	

Fig. 5 Outline (Two-stage mast Full Free Lift)

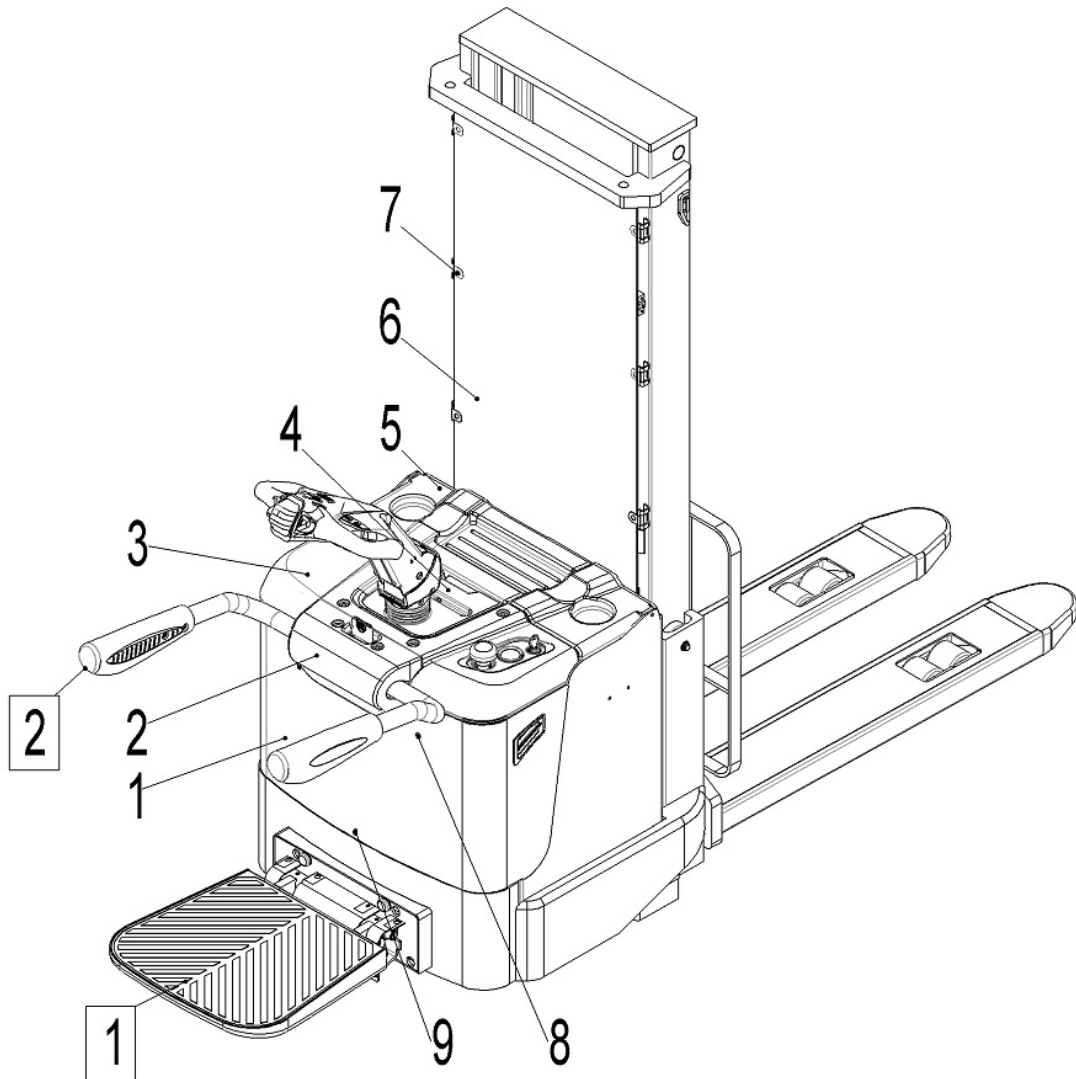


Fig. 5 Outline (Two-stage mast Full Free Lift)

No.	Art No.	Description	Qty.	Note
1	9000008061	Main cover	1	
2	9000008063	Protective arm cover	1	With protective arm
	9000008064	Without Protective arm cover		Without protective arm
3	9000008062	Upper cover	1	
4	9000008065	Middle cover	1	
5	9000008984	Battery cover	1	
6	9000008997	Protective board	1	2900
	9000008998			3600
7	9000007782	Spring buckle	10	1
8	1000423003	Screw	2	M10×30
9	9000007793	Screw	1	M10×10
①	9000007862	Platform assembly	1	
②	9000007891	Protective arm assembly	1	

Fig. 6 Chassis (Three-stage mast Full Free Lift/ Two-stage mast Normal/ Two-stage mast Full Free Lift)

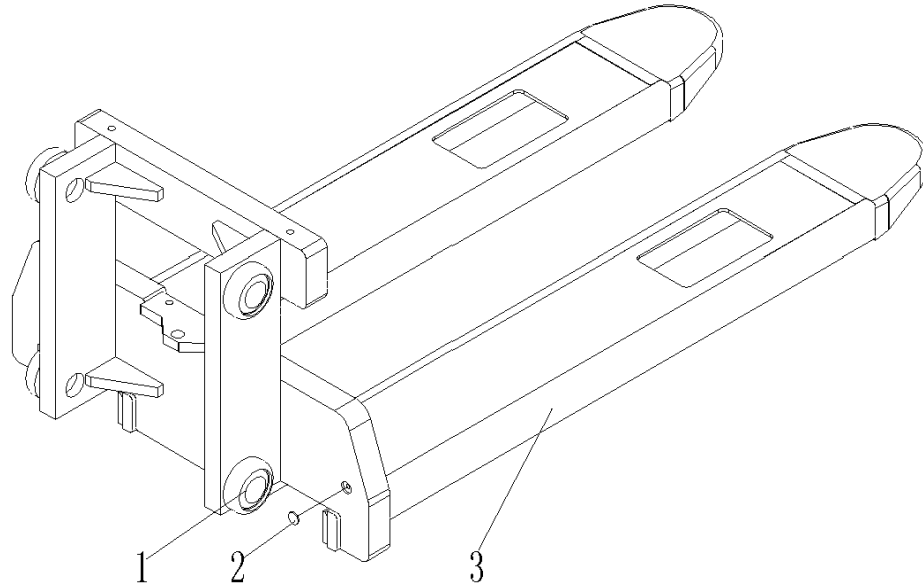


Fig. 6 Chassis (Three-stage mast Full Free Lift/ Two-stage mast Normal/ Two-stage mast Full Free Lift)

No.	Art No.	Description	Qty.	Note
1	2220511001	Compound roller	4	1
2	2000435002	Magnet steel	1	
3	9000008236	Welded chassis (570×1150)	1	Three-stage mast Full Free Lift
	9000009006	Welded chassis (680×1150)		
	9000008958	Welded chassis (570×1150)		Two-stage mast Normal/ Two-stage mast Full Free Lift
	9000008959	Welded chassis (680×1150)		

Fig. 7 Chassis (Three-stage/Two-stage mast Straddle Leg)

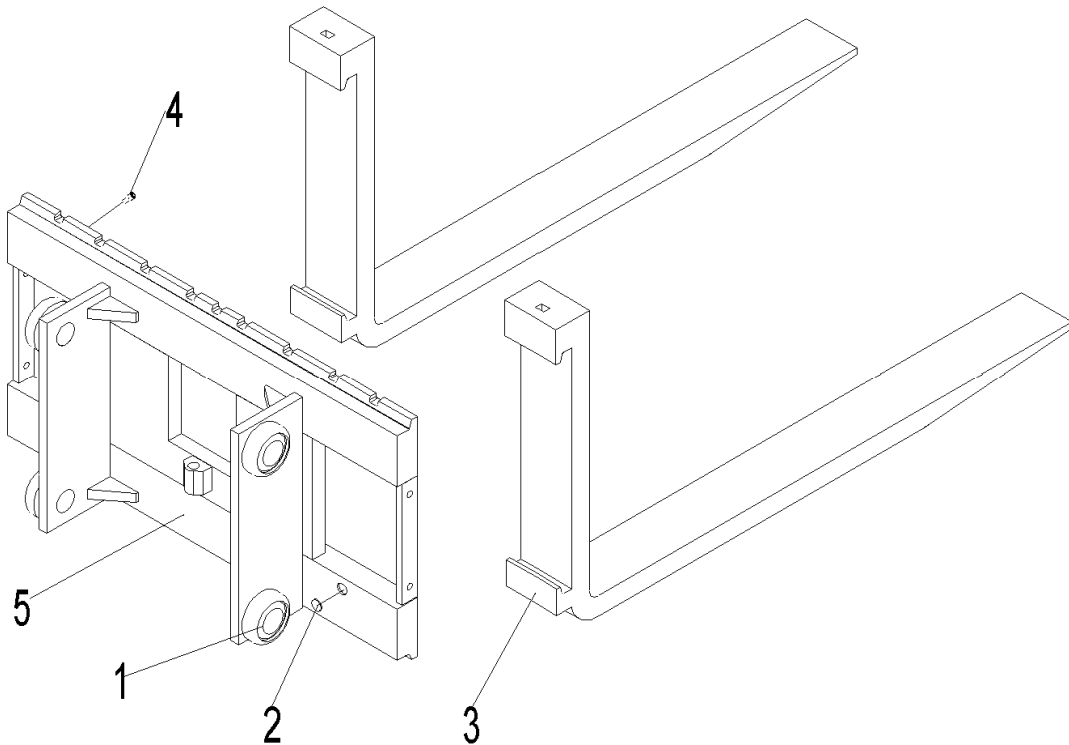


Fig. 7 Chassis (Three-stage/Two-stage mast Straddle Leg)

No.	Parts No.	Item	Qty.	Note	Standard
1	2220511001	Compound roller	4	Three-stage mast Straddle Leg	
	2330511001			Two-stage mast Straddle Leg	
2	2000435002	Compound roller	1		
3	2090500001	Fork	2	W 100	
4	0000023080	Screw	2	M10x16	GB/T70.1=ISO4762
5	9000009067	Fork carrier	1	Three-stage mast Straddle Leg	
	9000008988			Two-stage mast Straddle Leg	

Fig. 8 Chassis system (Three-stage mast Full Free Lift)

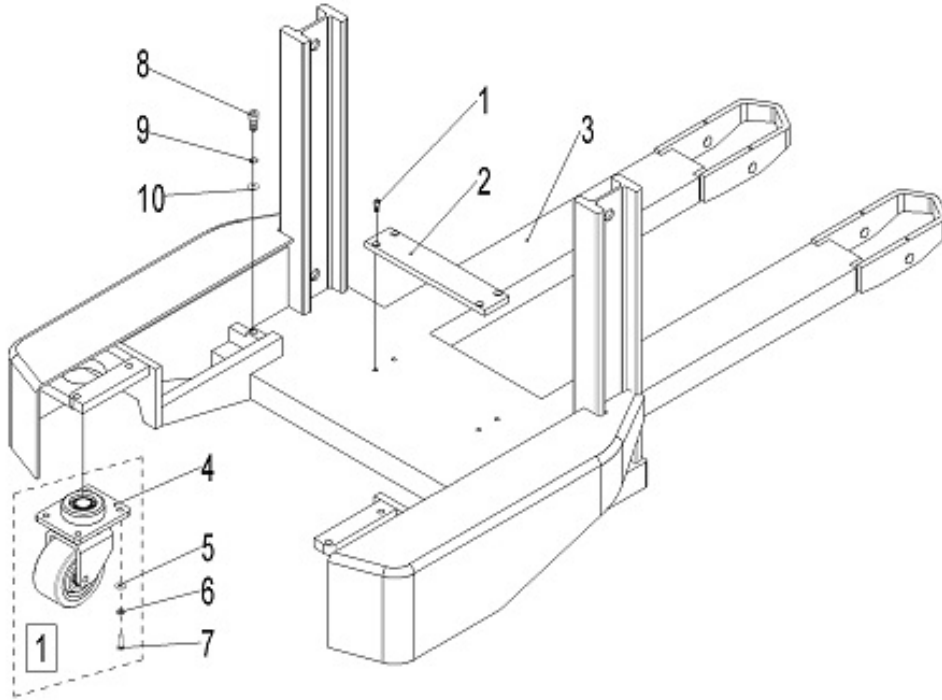


Fig. 8 Chassis system (Three-stage mast Full Free Lift)

No.	Parts No.	Item	Qty.	Note	Standard
1	0000023067	Screw	4	M8×16	GB/T70.1=ISO4762
2	9000008237	Damping pad	1	PU	
3	9000008238	Welded chassis	1	570x1150	
	9000009081			685x1150	
4	2040400001	Castor assembly	2		
5	0000025002	Washer	8	10	GB/T95
6	0000023006	Washer	8	10	GB/T93
7	0000023029	Screw	8	M10×35	GB/T70.1=ISO4762
8	0000023156	Screw	2	M12×25	GB/T70.1=ISO4762
9	0000025032	Washer	2	12	GB/T95
10	0000025024	Washer	2	12	GB/T93
1	9000010408	Castor complete	2		

Fig. 9 Chassis system (Three-stage mast Straddle Leg)

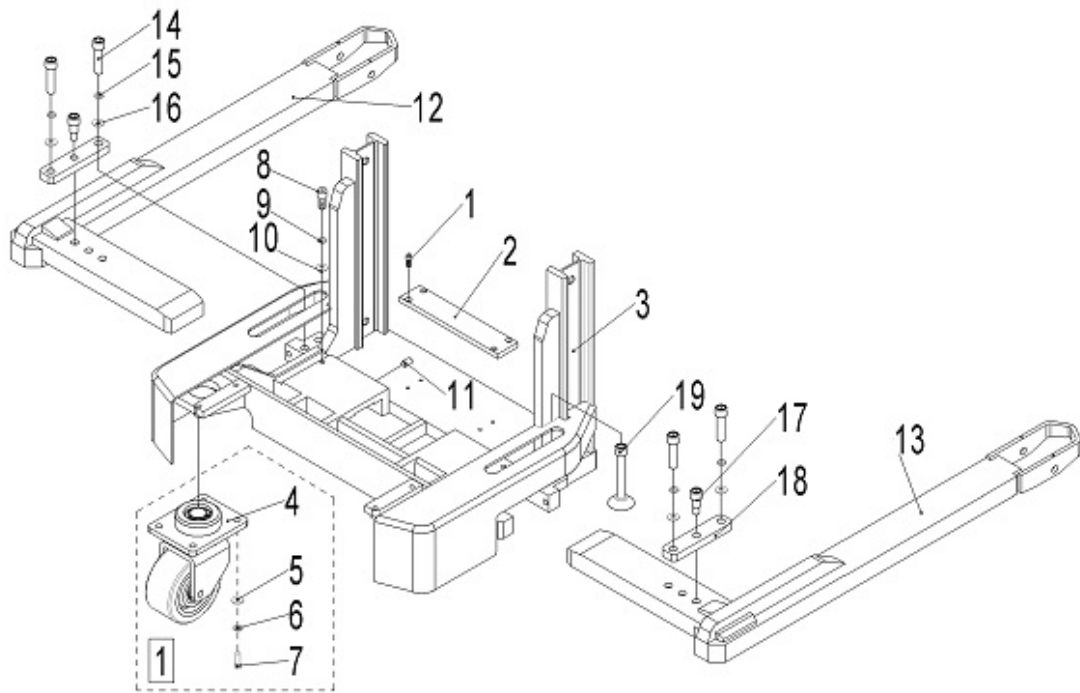


Fig. 9 Chassis system (Three-stage mast Straddle Leg)

No.	Parts No.	Item	Qty.	Note	Standard
1	0000023067	Screw	4	M8×16	GB/T70.1=ISO4762
2	9000008237	Damping pad	1	PU	
3	9000009070	Welded chassis	1		
4	2040400001	Castor	2		
5	0000025002	Washer	8	10	GB/T95
6	0000023006	Washer	8	10	GB/T93
7	0000023029	Screw	8	M10×35	GB/T70.1=ISO4762
8	0000023156	Screw	2	M12×25	GB/T70.1=ISO4762
9	0000025024	Washer	2	12	GB/T93
10	0000025032	Washer	2	12	GB/T95
11	0000023490	Screw	4	M16x20	GB/T77=ISO4026
12	9000009071	Welded front leg	1		
13	9000009072	Welded right front leg	1		
14	0000023453	Screw	4	M20x60	GB/T70.1=ISO4762
15	0000025033	Washer	4	20	GB/T93
16	0000025031	Washer	4	20	GB/T95
17	2050402003	Positioning pin	2		
18	2030402001	Press plate	2		
19	2050402002	Support components	2		
1	9000010408	Castor complete	2		

Fig. 10 Chassis system (Two-stage mast Normal/ Full Free Lift)

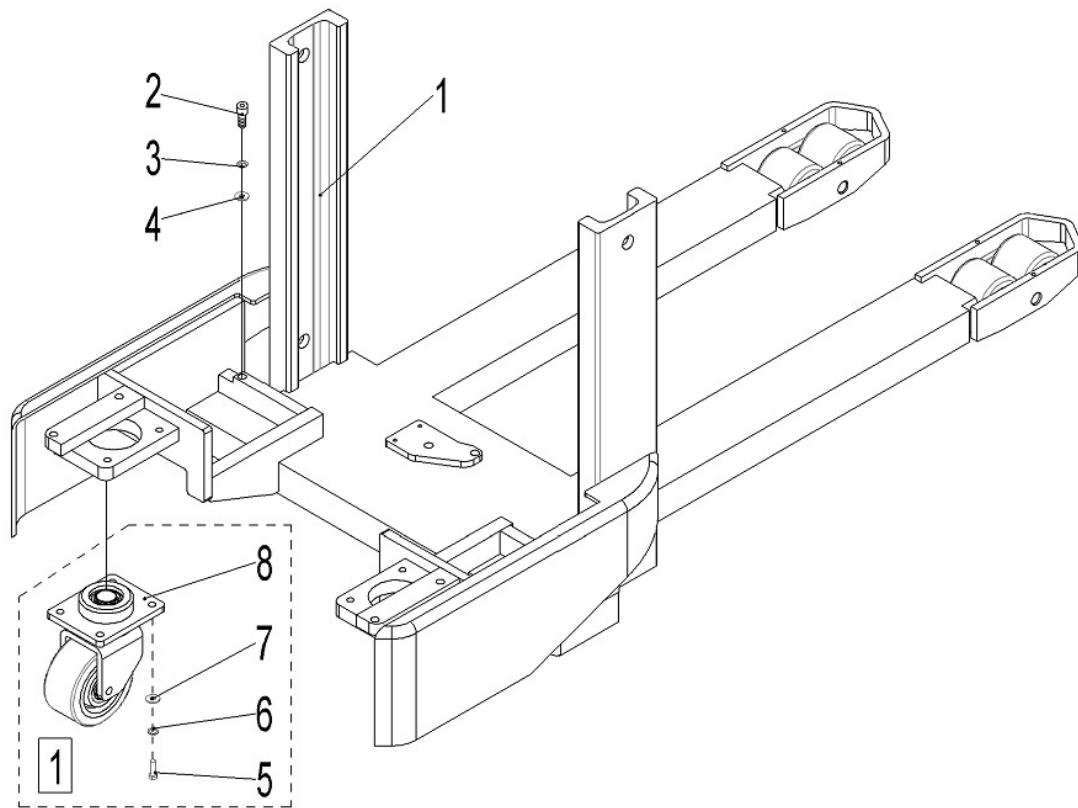


Fig. 10 Chassis system (Two-stage mast Normal / Full Free Lift)

No.	Parts No.	Item	Qty.	Note	Standard
1	9000008985	Welded chassis	1	570X1150	
	9000008986			685X1150	
2	0000023156	Screw	2	M12×25	GB/T70.1=ISO4762
3	0000025024	Washer	2	12	GB/T93
4	0000025032	Washer	2	12	GB/T95
5	0000023029	Screw	8	M10×35	GB/T70.1=ISO4762
6	0000023006	Washer	8	10	GB/T93
7	0000025002	Washer	8	10	GB/T95
8	2040400001	Castor	2		
①	9000010408	Castor complete	2		

Fig. 11 Chassis system (Two-stage mast Straddle Leg)

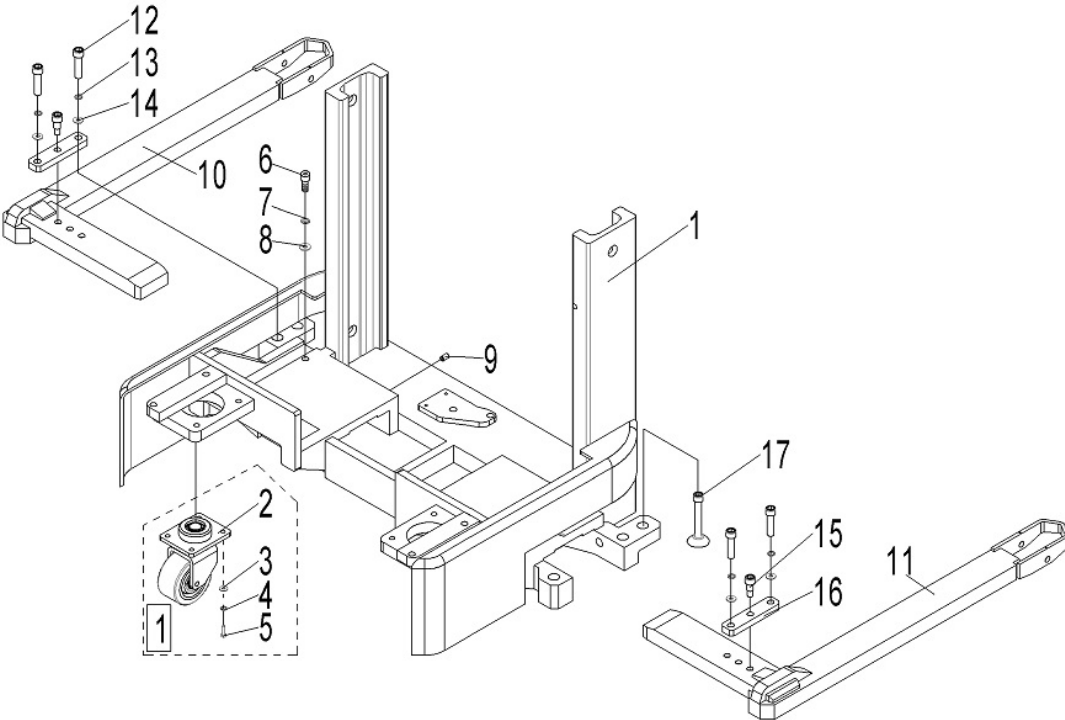


Fig. 11 Chassis system (Two-stage mast Straddle Leg)

No.	Parts No.	Item	Qty.	Note	Standard
1	9000008989	Welded chassis	1		
2	2040400001	Castor	2		
3	0000025002	Washer	8	10	GB/T95
4	0000023006	Washer	8	10	GB/T93
5	0000023029	Screw	8	M10×35	GB/T70.1=ISO4762
6	0000023156	Screw	2	M12×25	GB/T70.1=ISO4762
7	0000025024	Washer	2	12	GB/T93
8	0000025032	Washer	2	12	GB/T95
9	0000023490	Screw	4	M16x20	GB/T77=ISO4026
10	9000008990	Welded front leg	1		
11	9000008991	Welded right front leg	1		
12	0000023453	Screw	4	M20x60	GB/T70.1=ISO4762
13	0000025033	Washer	4	20	GB/T93
14	0000025031	Washer	4	20	GB/T95
15	2050402003	Positioning pin	2		
16	2030402001	Press plate	2		
17	2050402002	Support components	2		
1	9000010408	Castor complete	2		

Fig. 12 Steering wheel assembly

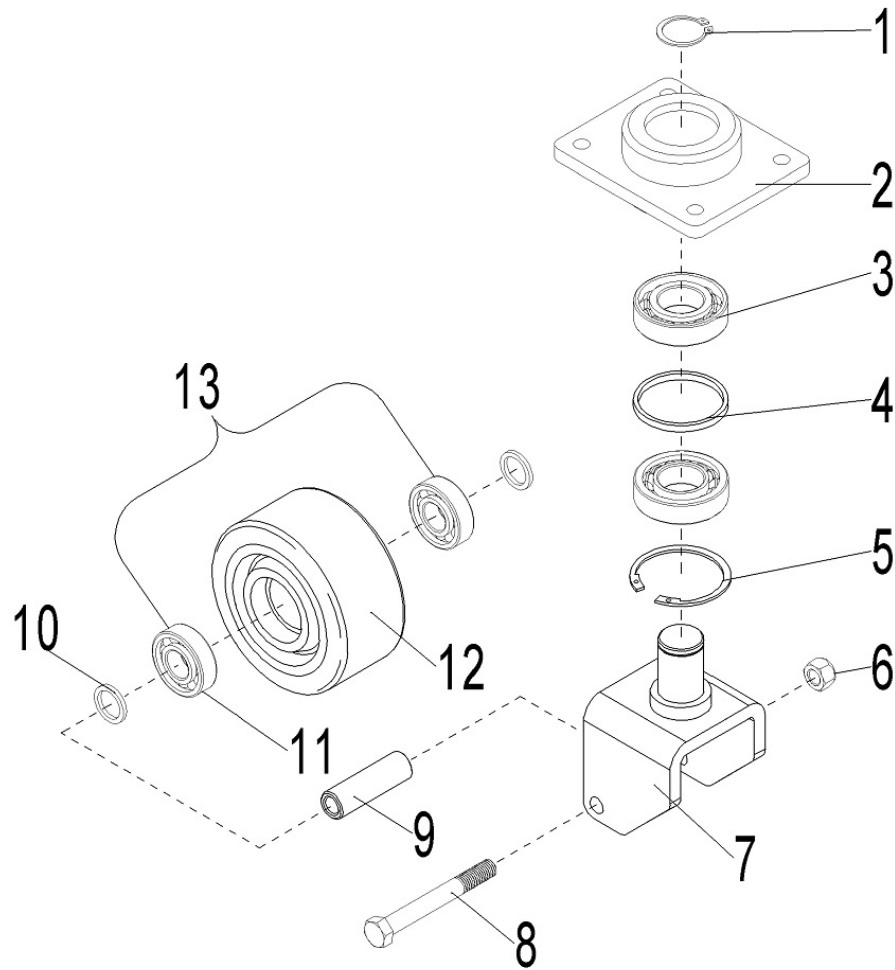


Fig. 12 Steering Wheel Assembly

No.	Parts No.	Item	Qty.	Note	Standard
1	0000026008	Circlip	1	30	GB/T894.1
2	2000405001	Bearing seat	1		
3	0000027013	Ball bearing	2	7206C/DB	GB/T292
4	2000413001	Sleeve	1		
5	0000026010	Circlip	1	62	GB/T893.1
6	0000024015	Lock nut	1	M14	GB/T889.1=ISO7040
7	2000401007	Rear wheel carrier welding	1		
8	0000023111	Bolt	1	M14×100	GB/T5782=ISO4014
9	2000413002	Shaft sleeve	1		
10	1000525001	Washer	2		
11	0000027001	Ball bearing	2	6204	GB/T276
12	2020416001	Castor	1	124×60	
13	9000003638	Castor wheel	2		

Fig. 13 Load wheel assembly (tandem roller)

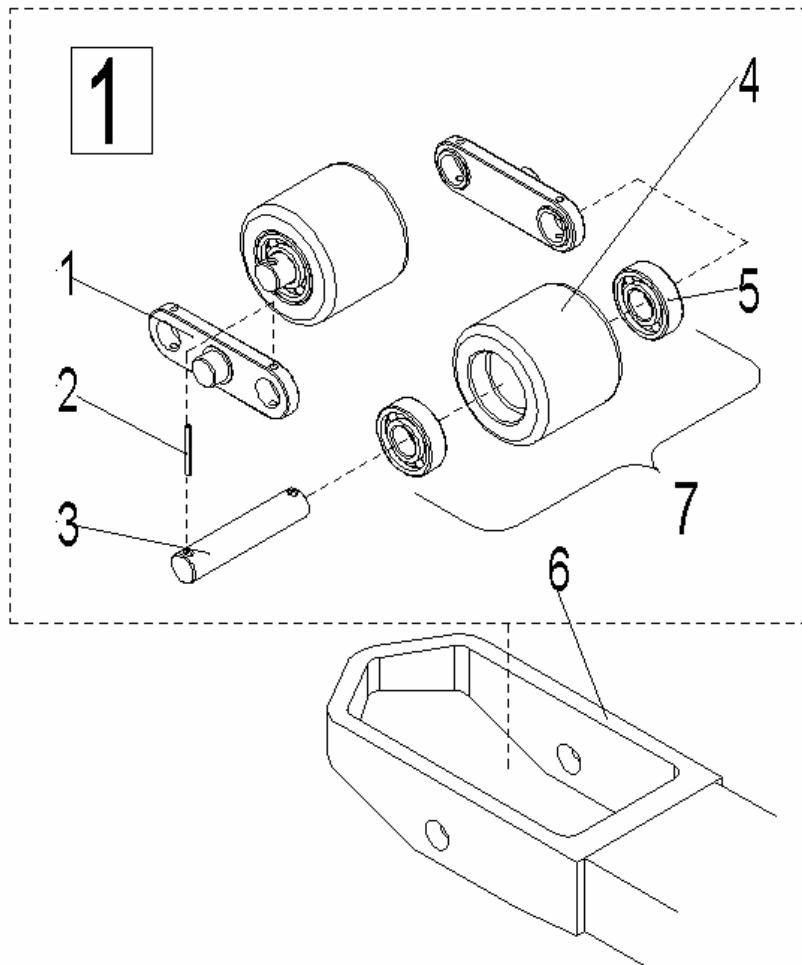


Fig. 13 Load Wheel Assembly (tandem roller)

No.	Parts No.	Item	Qty.	Note	Standard
1	9000012083	Linking plate	2		
2	0000028009	Dowel pin	4	5×35	GB/T879.1=ISO8752
3	9000012082	Castor shaft	2		
4	2000416002	Load wheel	2	80×70	
5	0000027001	Ball bearing	4	6204	GB/T276
6	0000030001	Press-on grease cup	2	6	JB/T7940.4=ISOB1575
7	9000010398	Load wheel set	2		
1	2000600001	Load wheel	2		

Fig. 14 Truck body

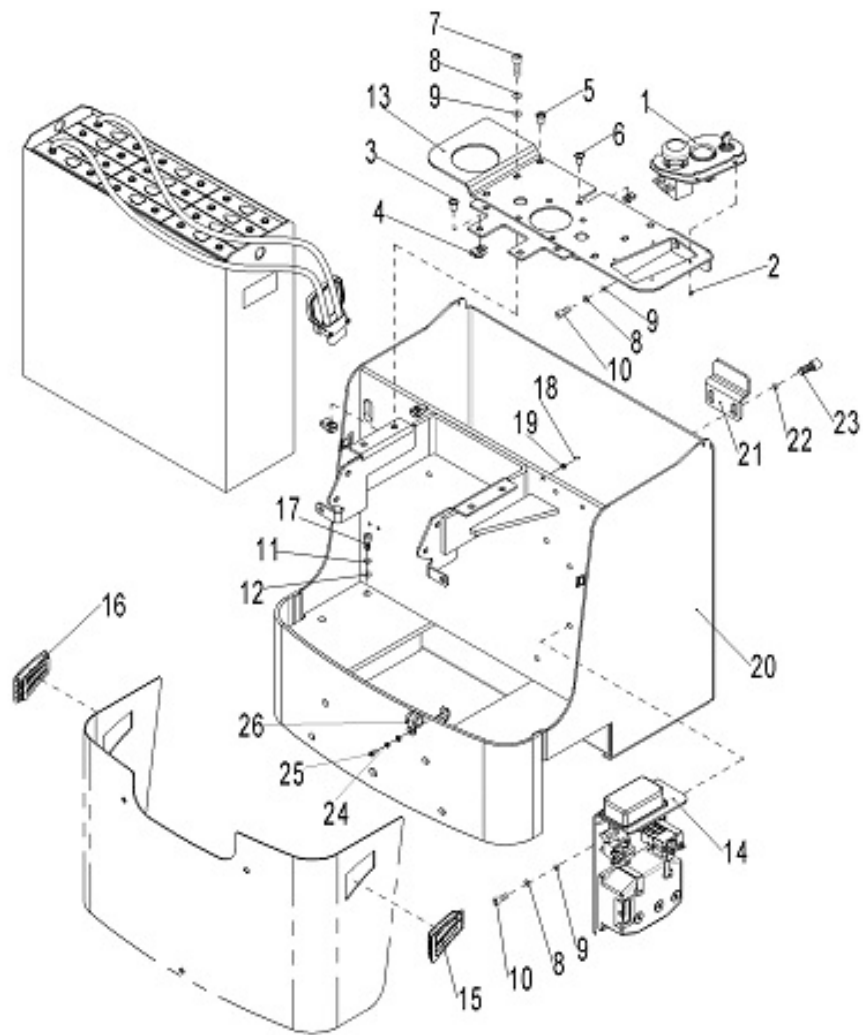


Fig. 14 Truck Body

No.	Parts No.	Item	Qty.	Note	Standard
1	9000007940	Instrument assembly	1		
2	0000023020	Screw	4	M6×20	GB/T70.1=ISO4762
3	9000007791	Screw	4	M10×35	
4	9000007783	Nut	13	M10	
5	9000007790	Screw	2	M10×55	
6	1000423003	Screw	1	M10×30	
7	0000023029	Screw	4	M10×35	GB/T70.1=ISO4762
8	0000023006	Washer	8	10	GB/T93
9	0000025002	Washer	8	10	GB/T95
10	0000023034	Screw	4	M10×20	GB/T70.1=ISO4762
11	0000025024	Washer	4	12	GB/T93
12	0000025032	Washer	4	12	GB/T95
13	9000008240	Board	1		
14	9000008069	Electronic control assemble board	1		
15	9000007923	Right vent components	1		
16	9000007920	Left vent components	1		
17	0000023082	Screw	4	M12×35	GB/T70.1=ISO4762
18	0000023455	Screw	2	M8×35	GB/T70.1=ISO4762
19	0000024026	Nut	2	M8	GB/T6170=ISO4032
20	9000008241	Welded body	1	Three-stage mast	
	9000009082			Two-stage mast	
21	9000009080	Upper plate of protective board	2	Only used for Two-stage mast	
22	0000025014	Washer 5	4		GB/T95
23	0000023311	Screw M5x10	4		GB/T70.1=ISO4762
24	0000025010	Washer	1	6	GB/T93
25	0000023053	Screw	1	M6x12	GB/T70.1=ISO4762
26	9000009545	YGE rubber pipe clamp	1		

Fig. 15 Power supply

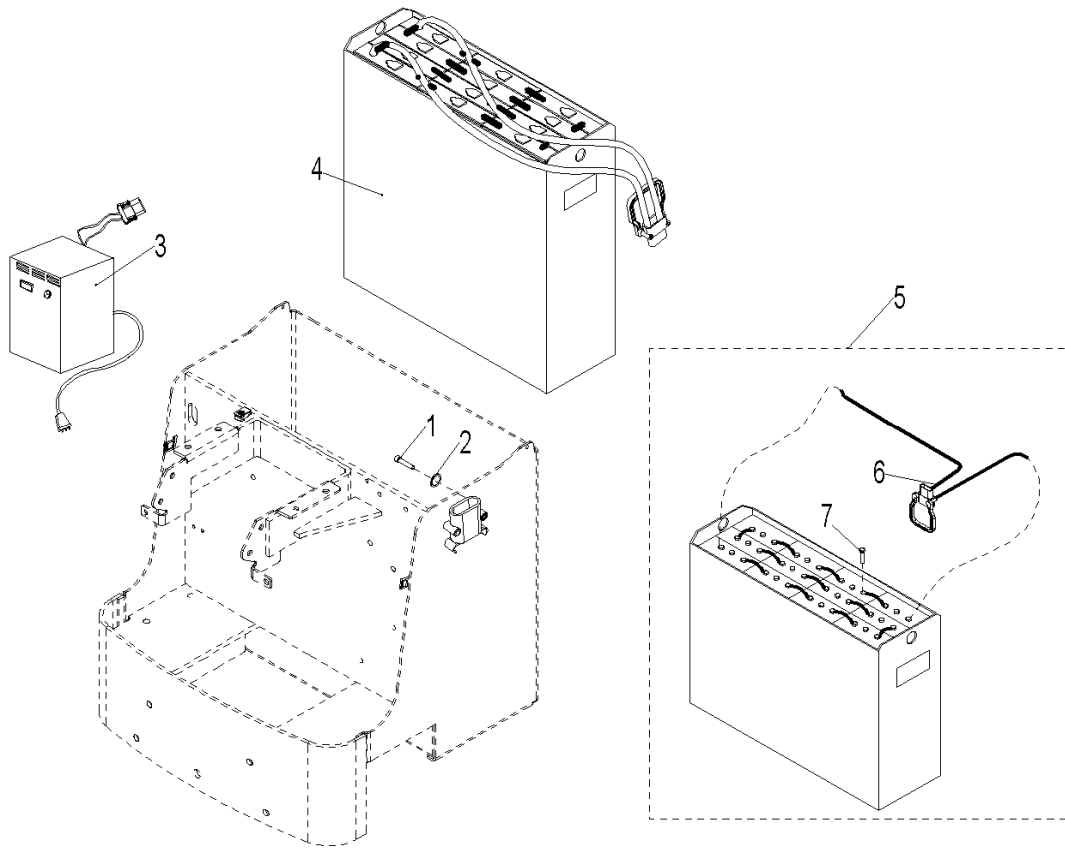


Fig. 15 Power Supply

No.	Parts No.	Item	Qty.	Note	Standard
1	0000023106	Screw	2	M6×30	GB/T70.1=ISO4762
2	0000023055	Washer	2	6	GB/T95
3	9000010147	Charger 24V/45A(Asia in Chinese)	1	Three-stage mast	
	9000010148	Charger 24V/45A(Asia in English)			
	9000010194	Charger 24V/45A(For EU)			
	9000010195	Charger 24V/45A(For AUS)			
	9000010196	Charger 24V/45A(For UK)			
	9000010197	Charger 24V/45A(For USA)			
	9000010116	Charger 24V/30A(Asia in Chinese)	1	Two-stage mast	
	9000010117	Charger 24V/30A(Asia in English)			
	9000010118	Charger 24V/30A(For EU)			
	9000010120	Charger 24V/30A(For AUS)			
	9000010121	Charger 24V/30A(For UK)			
	9000010146	Charger 24V/30A(For USA)			
4	9000009083	Power supply (210Ah) welded type	1	Two-stage mast	
	9000008322	Power supply (350Ah) welded type		Three-stage mast	
5	9000003990	Power supply (210Ah) bolt type	1	Two-stage mast	
	9000008935	Power supply (350Ah) bolt type		Three-stage mast	
6	9000003988	Connector components (350Ah) (Three-stage mast)	1	Only used for bolt type battery	
	9000008585	Connector components (210Ah) (Two-stage mast)			
7	9000009832	Bolt	24		

Fig. 16 Instrument assembly

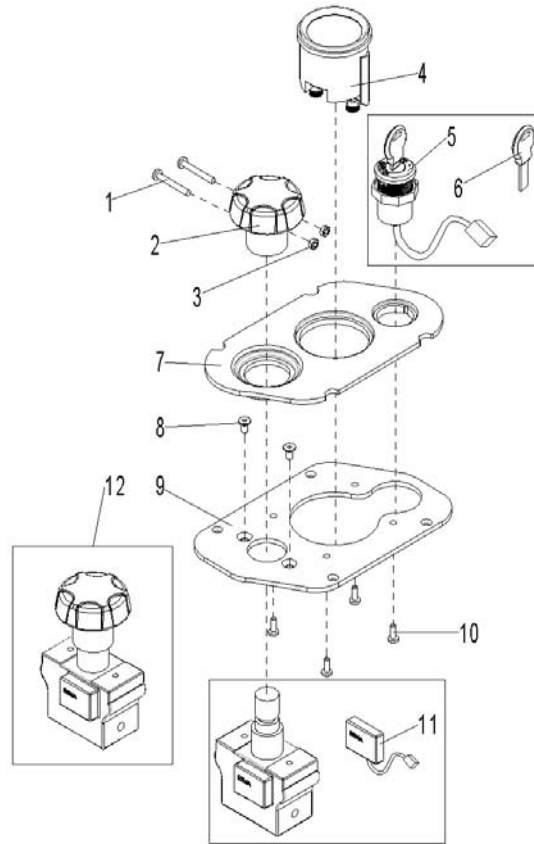


Fig. 16 Instrument Assembly

No.	Parts No.	Description	Qty.	Note	Standard
1	0000023685	Screw	2	M3×25	GB/T818-2000=ISO7045
2	9000008516	Emergency	1	ZDK32-350	
3	0000024002	Nut	2	M3	GB/T6170=ISO4032
4	1000434025	Indicator	1	CURTIS	
5	9000008326	Key switch	1	LKS-101A	
6	9000008519	Key	1		
7	9000007938	Plastic plate	1		
8	0000023215	Screw	2	M5×10	GB/T70.3=ISO10642
9	9000007939	Fixing plate	1		
10	0090000272	Screw	4	M4×12	GB/T6560
11	9000008517	Proximity switch	1		
12	9000008515	DC power	1	ZDK32-350	

Fig. 17 Battery cover assembly

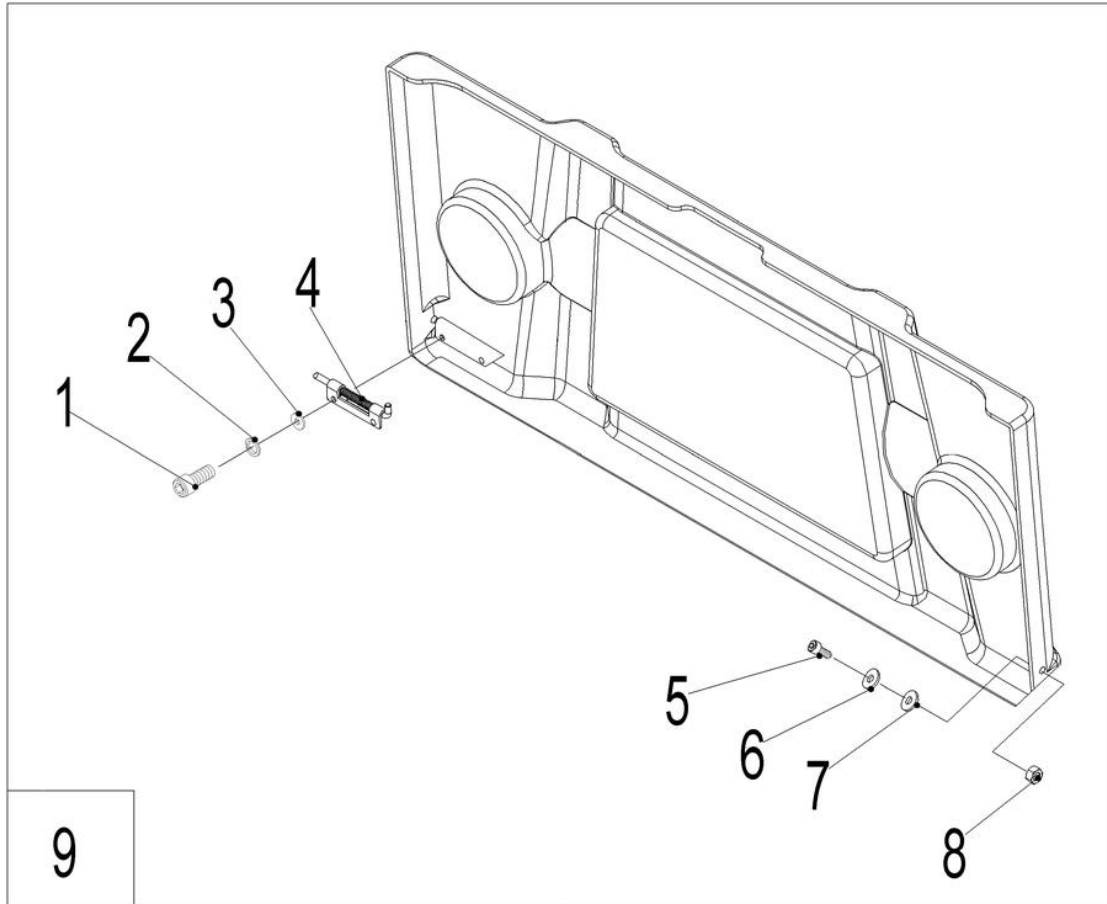


Fig. 17 Battery Cover Assembly

No.	Parts No.	Item	Qty.	Note	Standard
1	0000023073	Screw	2	M4×10	GB/T70.1=ISO4762
2	0000025018	Washer	2	4	GB/T93
3	0000025019	Washer	2	4	GB/T95
4	9000008795	Pin	1		
5	0000023306	Screw	1	M5×20	GB/T70.1=ISO4762
6	0000025015	Washer	1	5	GB/T93
7	0000025014	Washer	1	5	GB/T95
8	0090000636	Nut	1	M5	GB/T6172.1=ISO4035
9	9000014328	Battery cover assembly	1	Three-stage mast	
	9000013440			Two-stage mast	

Fig. 18 Mast system (Three-stage mast Full Free Lift/Straddle

Leg)

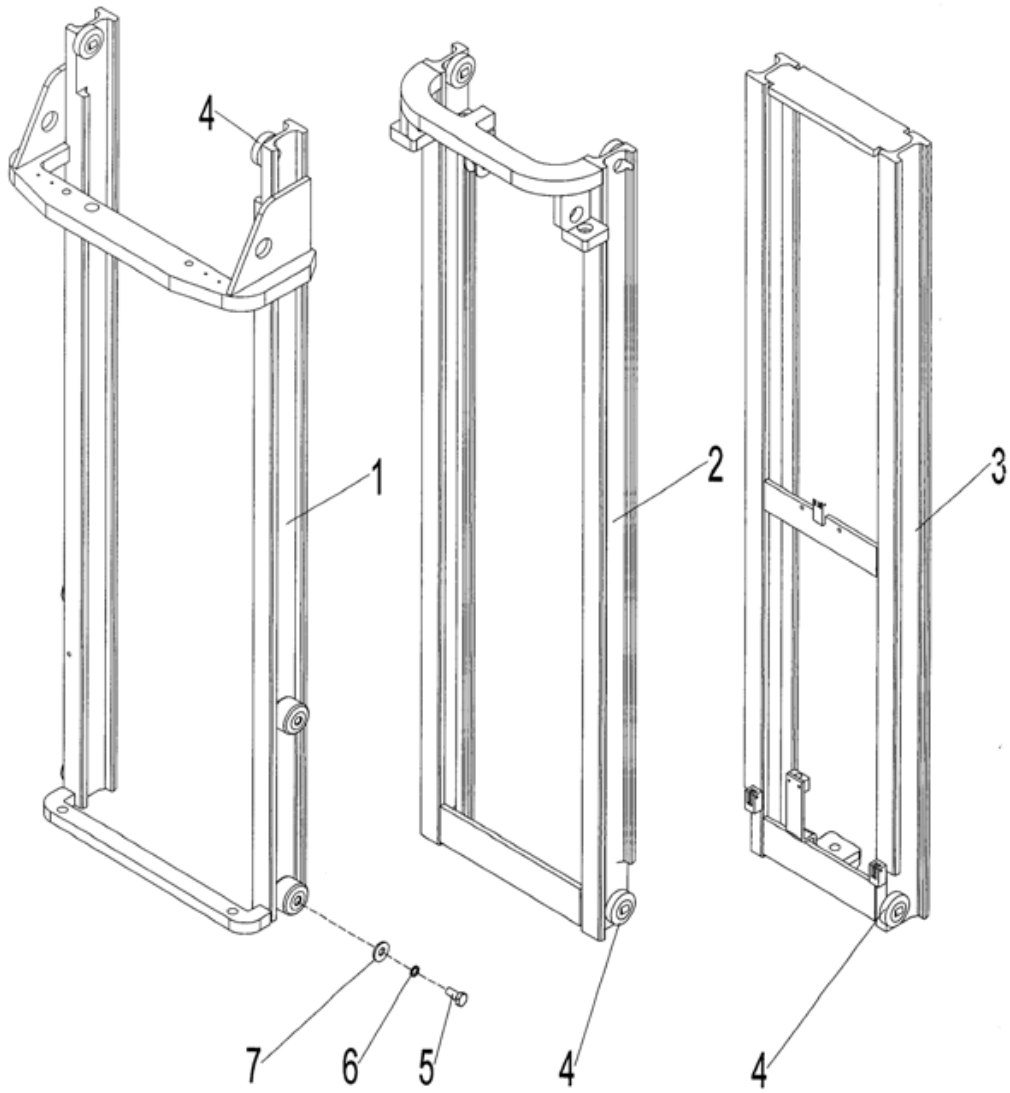


Fig. 18 Mast system (Three-stage mast Full Free Lift / Straddle Leg)

No.	Parts No.	Item	Qty.	Note	Standard
1	9000008242	Outer mast welding	1	5000	
	9000009043			4300	
	9000009044			4600	
	9000009045			5500	
	9000009046			6000	
2	9000008243	Middle mast welding	1	5000	
	9000009047			4300	
	9000009048			4600	
	9000009049			5500	
	9000009050			6000	
3	9000008244	Inner mast welding	1	5000	
	9000009051			4300	
	9000009052			4600	
	9000009053			5500	
	9000009054			6000	
4	2040511001	Compound roller for mast	8		
5	0000023079	Bolt	4	M18×40	GB/T5783=ISO4017
6	0000025022	Washer	4	18	GB/T93
7	0000025023	Washer	4	8	GB/T95

Fig. 19 Mast system (Two-stage mast Normal/Straddle Leg)

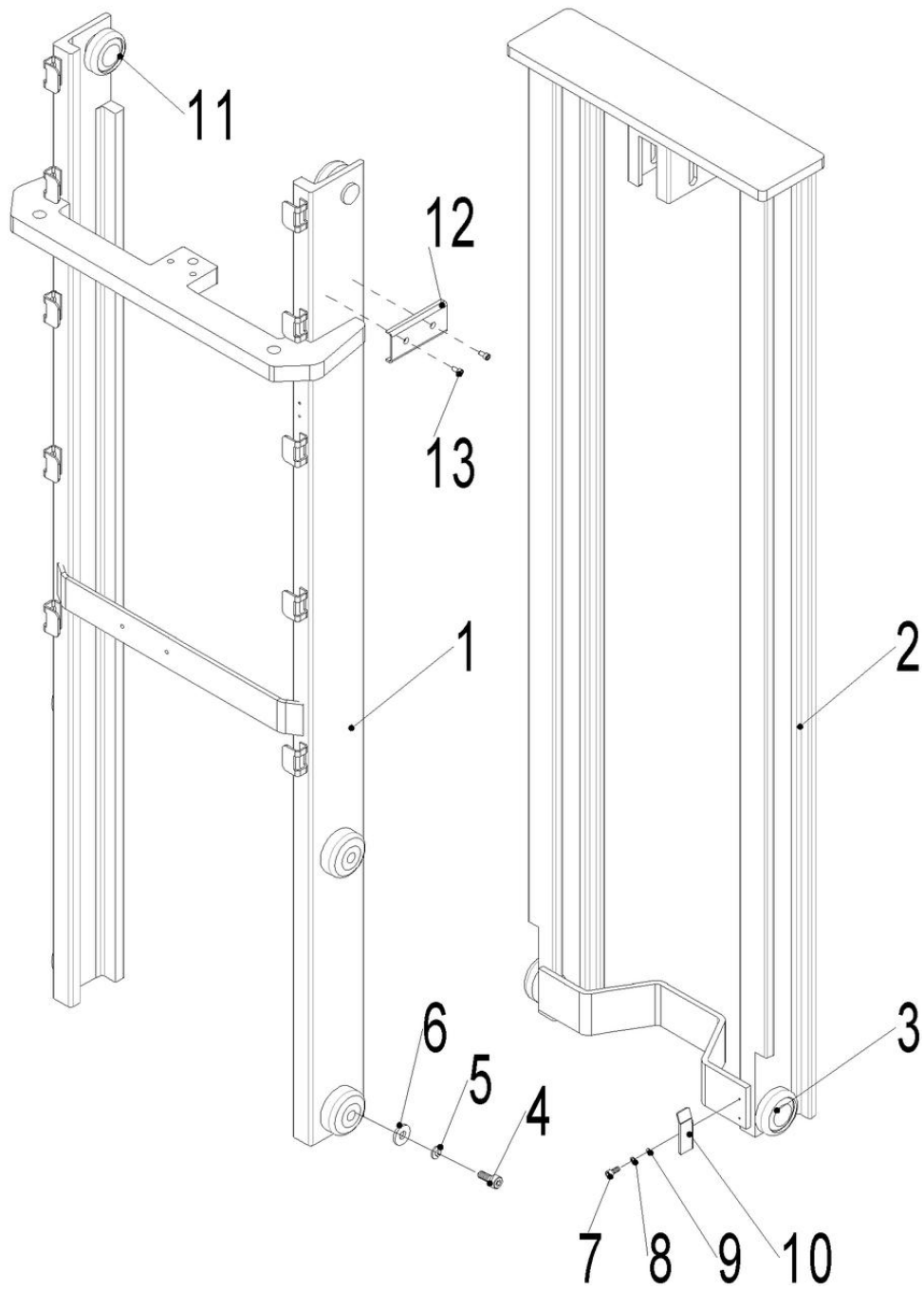


Fig. 19 Mast system (Two-stage mast Normal / Straddle Leg)

No.	Parts No.	Item	Qty.	Note	Standard
1	9000008968	Outer mast welding	1	2900	
	9000008969			3200	
	9000008970			3600	
	9000008971			4000	
2	9000008973	Inner mast welding	1	2900	
	9000008974			3200	
	9000008975			3600	
	9000008976			4000	
3	2220611001	Compound roller for mast	2		
4	0000023079	Bolt	4	M18×40	GB/T5783=ISO4017
5	0000025022	Washer	4	18	GB/T93
6	0000025023	Washer	4	18	GB/T95
7	0000023056	Screw	2	M4x12	GB/T70.1=ISO4762
8	0000025018	Washer	2	4	GB/T93
9	0000025019	Washer	2	4	GB/T95
10	9000008981	Limit block	1		
11	2040511001	Compound roller for mast	2		
12	9000013691	cover	1		
13	0000023053	Screw	2	M6x12	GB/T70.1=ISO4762

Fig. 20 Mast system (Two-stage mast Full Free Lift)

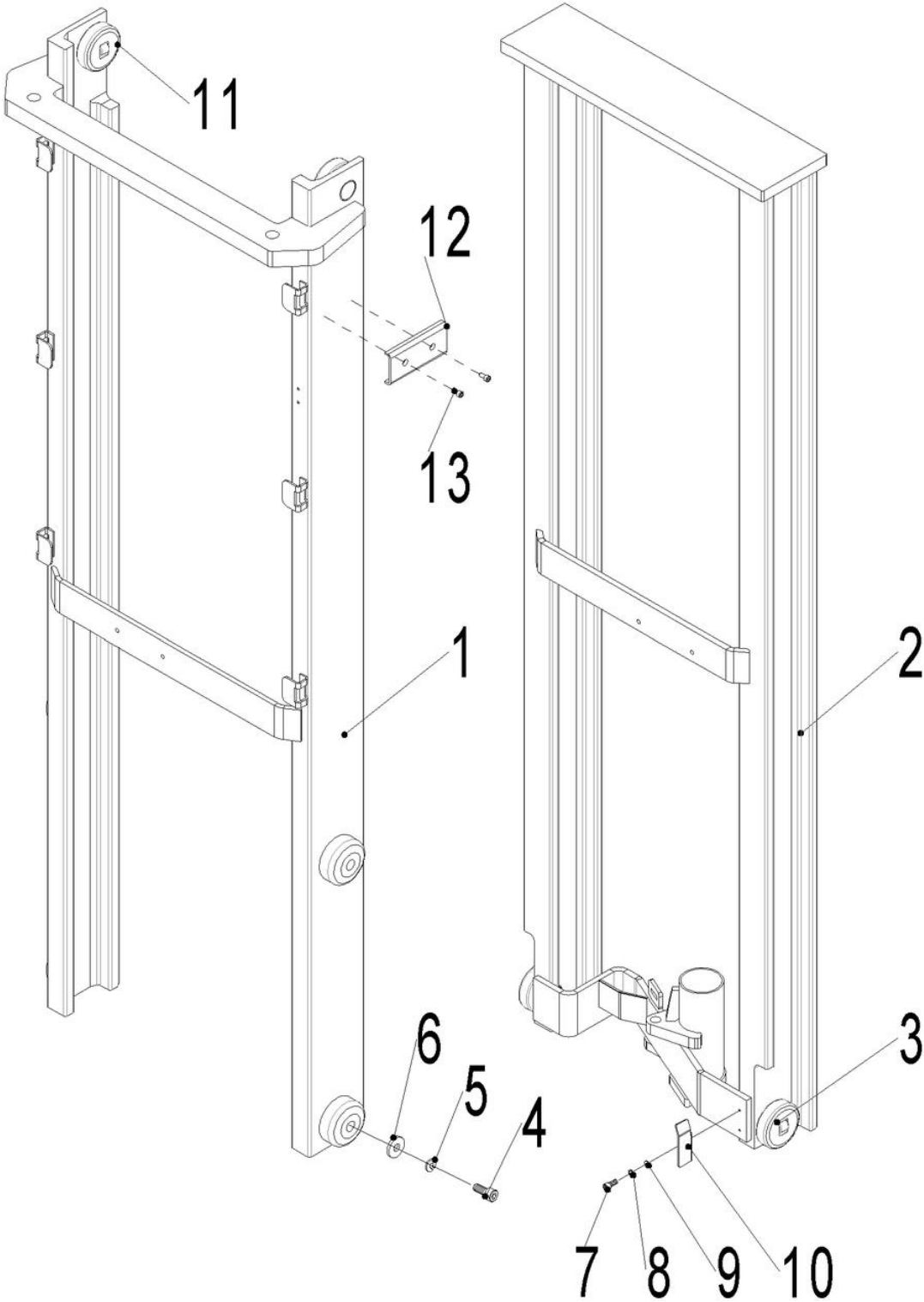


Fig. 20 Mast system (Two-stage mast Full Free Lift)

No.	Parts No.	Item	Qty.	Note	Standard
1	9000008994	Outer mast welding	1	2900	
	9000008995			3600	
2	9000008999	Inner mast welding	1	2900	
	9000009000			3600	
3	2220611001	Compound roller for mast	2		
4	0000023079	Bolt	4	M18×40	GB/T5783=ISO4017
5	0000025022	Washer	4	18	GB/T93
6	0000025023	Washer	4	18	GB/T95
7	0000023056	Screw	2	M4x12	GB/T70.1=ISO4762
8	0000025018	Washer	2	4	GB/T93
9	0000025019	Washer	2	4	GB/T95
10	9000008981	Limit block	1		
11	2040511001	Compound roller for mast	2		
12	9000013691	cover	1		
13	0000023053	Screw	2	M6x12	GB/T70.1=ISO4762

Fig. 21 Mast lifting system (Three-stage mast Full Free Lift)

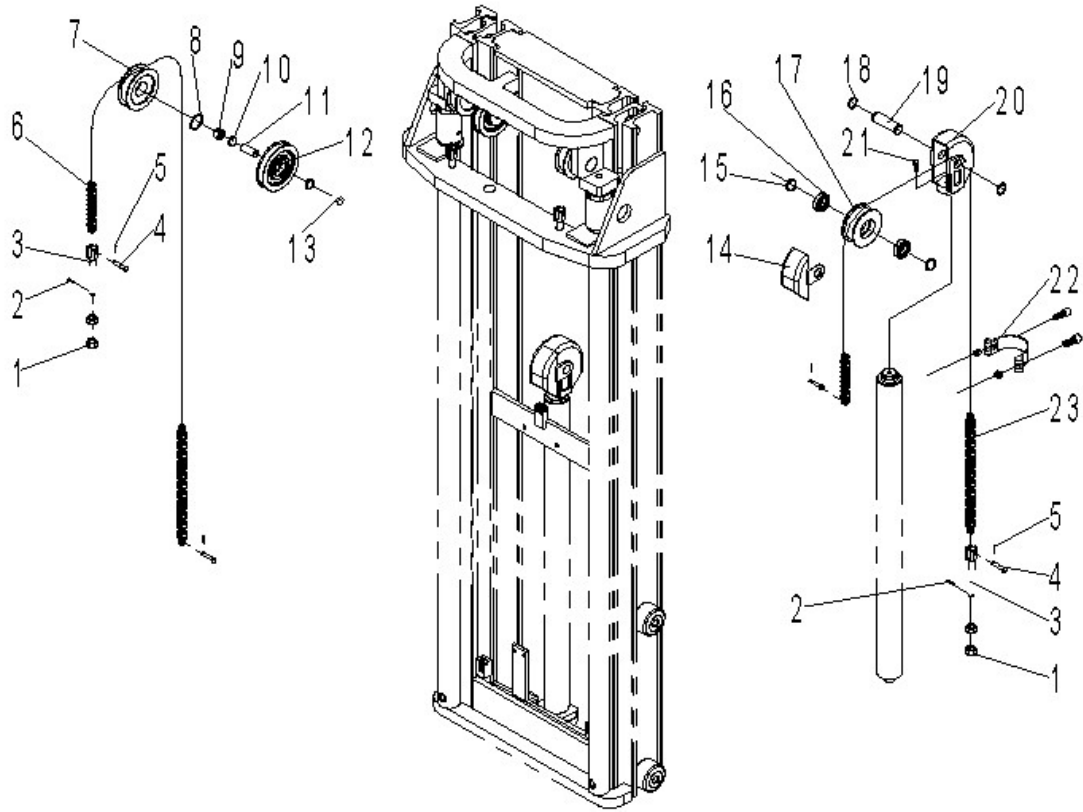


Fig. 21 Mast lifting system (Three-stage mast Full Free Lift)

No.	Parts No.	Item	Qty.	Note	Standard
1	0000024042	Nut	6	M16×1.5	GB/T6171=ISO8673
2	0000028011	Split pin	3	3×40	GB/T91=ISO1234
3	9000008260	Bolt	3		
4	0000028030	Hinge pin	6	6×45	GB/T882=ISO2341
5	0000028010	Split pin	6	2×20	GB/T91=ISO1234
6	0090000540	Chain LH1066×135	2	5000	GB/T6074=ISO4347
	0000029237	Chain LH1066×121		4300	GB/T6074=ISO4347
	0090000455	Chain LH1066×127		4600	GB/T6074=ISO4347
	0090000543	Chain LH1066×151		5500	GB/T6074=ISO4347
	0090000544	Chain LH1066×167		6000	GB/T6074=ISO4347
7	9000007762	Chain wheel for mast	2		
8	0000026049	Retainer ring for shaft	2	45	GB/T894.1
9	0000024010	Nut	2	M16	GB/T6172.1=ISO4035
10	0000025029	Washer	N	16	GB/T95
11	9000008245	Bearing sleeve	1		
12	9000008246	Pulley	1		
13	0000023123	Bolt	1	M16×70	GB/T5782=ISO4014
14	2230305002	Side cover	1		
15	2000302002	Adjusting washer	2	2	
16	0000027012	Ball bearing	2	6206	GB/T276
17	9000010331	Middle cylinder chain wheel	1		
18	0000026008	Retainer ring for shaft	2	30	GB/T894.1
19	2230307001	Chain wheel shaft	1		
20	2230305001	Chain wheel seat	1		
21	0000023094	Screw	1	M12×30	GB/T70.1=ISO4762
22	9000009831	Hoop assembly	1		
23	0000029068	Chain LH1066×79	1	5000	GB/T6074=ISO4347
	0090000539	Chain LH1066×73		4300	GB/T6074=ISO4347
	0090000483	Chain LH1066×75		4600	GB/T6074=ISO4347
	0000029057	Chain LH1066×89		5500	GB/T6074=ISO4347
	0000029085	Chain LH1066×97		6000	GB/T6074=ISO4347

Fig. 22 Mast other accessories (Three-stage mast Full Free

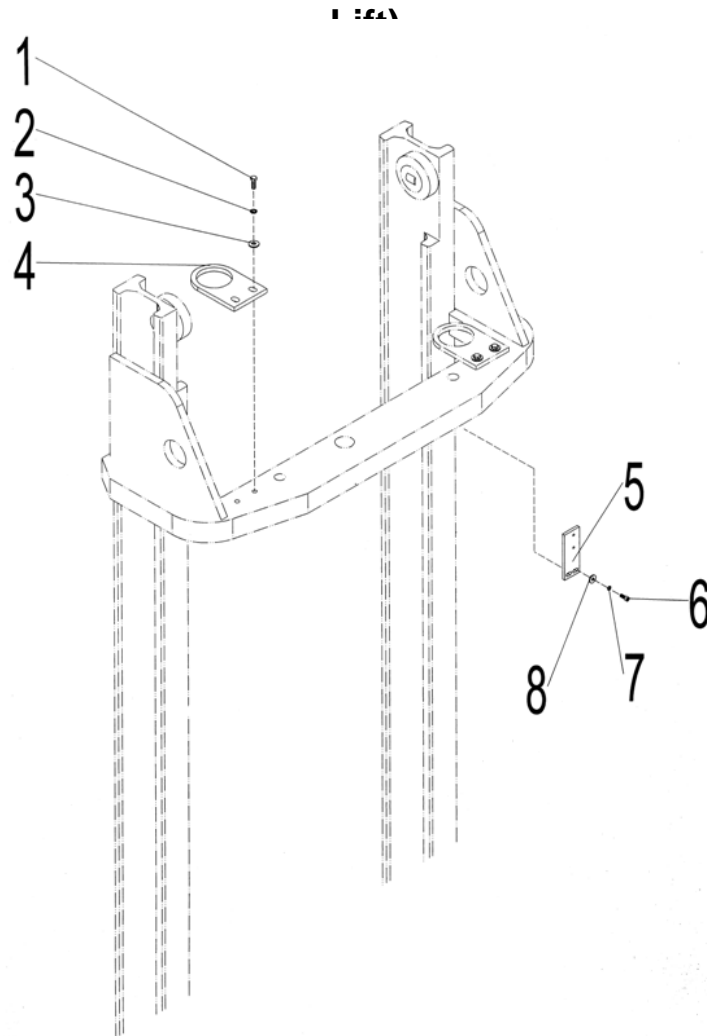


Fig. 22 Mast Other Accessories (Three-stage mast Full Free Lift

No.	Parts No.	Item	Qty.	Note	Standard
1	0000023047	Screw	4	M8×25	GB/T70.1=ISO4762
2	0000025001	Washer	4	8	GB/T93
3	0000025011	Washer	4	8	GB/T95
4	9000008248	Cylinder fixing plate	2		
5	9000010332	Limit switch mounting plate	1		
6	0000023040	Screw	2	M6×16	GB/T70.1=ISO4762
7	0000025010	Washer	2	6	GB/T93
8	0000023055	Washer	2	6	GB/T95

Fig. 23 Mast lifting system (Two-stage mast Normal/Straddle

Leg)

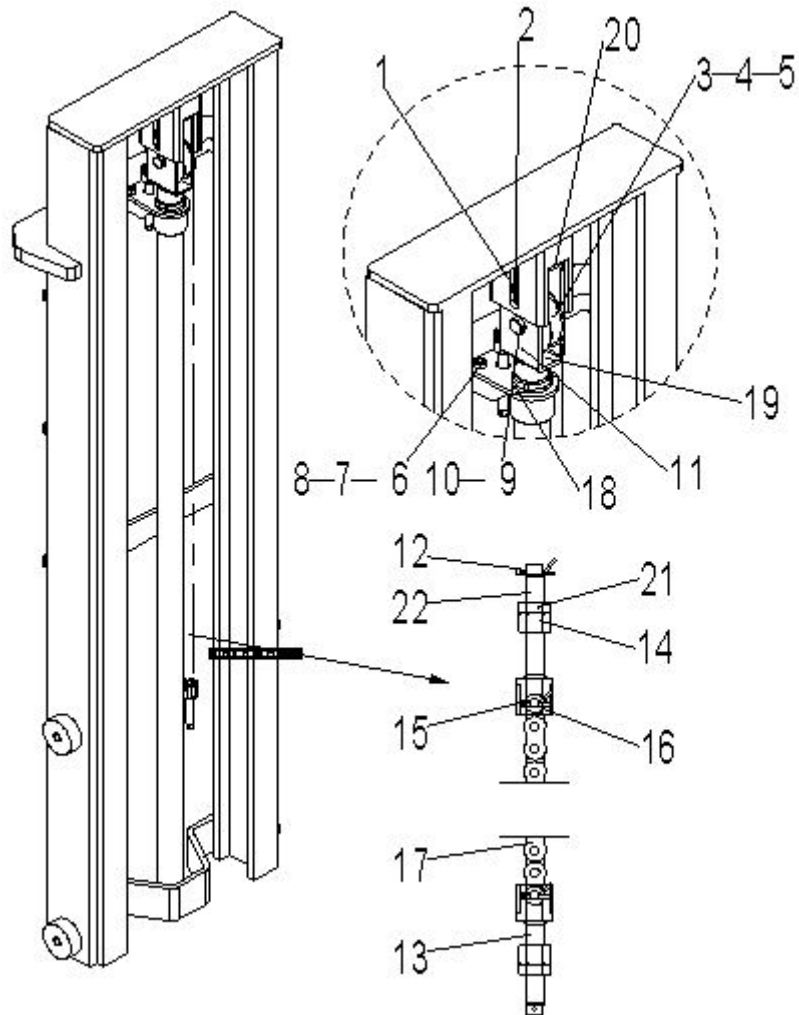


Fig. 23 Mast lifting system (Two-stage mast Normal / Straddle Leg)

No.	Parts No.	Item	Qty.	Note	Standard
1	0000023510	Screw	2	M16x35	GB/T77=ISO4026
2	0000024014	Nut	2	M16x1.5	GB/T6173=ISO8675
3	2010310001	Chain wheel	1		
4	0000027012	Ball bearing	2	6206	GB/T276
5	2000302002	Adjusting washer	2	2	
6	0000023158	Screw	2	M10x30	GB/T70.1=ISO4762
7	0000023006	Washer	2	10	GB/T93
8	0000025002	Washer	2	10	GB/T95
9	2030301001	Chain wheel shaft components	1		
10	0000023103	Screw	1	M6x8	GB/T70.3=ISO10642
11	2010305001	Chain wheel carrier	1		
12	0000028011	Split pin	2	3x40	GB/T91=ISO1234
13	9000008983	Chain tension bar	1		
14	0000024042	Nut	2	M16x1.5	GB/T6171=ISO8673
15	0000028010	Split pin	2	2x20	GB/T91=ISO1234
16	0000028014	Hinge pin	2	8x40	GB/T882=ISO2341
17	0000029012	Leaf chain LH1244x91	1	2900	GB/T6074=ISO4347
	0000029013	Leaf chain LH1244x99		3200	GB/T6074=ISO4347
	0000029014	Leaf chain LH1244x109		3600	GB/T6074=ISO4347
	0000029015	Leaf chain LH1244x119		4000	GB/T6074=ISO4347
18	2010302001	Cylinder fixing plate	1		
19	0000023101	Bolt	1	M12x25	GB/T5783=ISO4017
20	2010319001	Cushion pad	1		
21	0000024014	Nut	2	M16x1.5	GB/T6173=ISO8675
22	9000009005	Chain tension bar	1		

Fig. 24 Mast lifting system (Three-stage mast Full Free Lift)

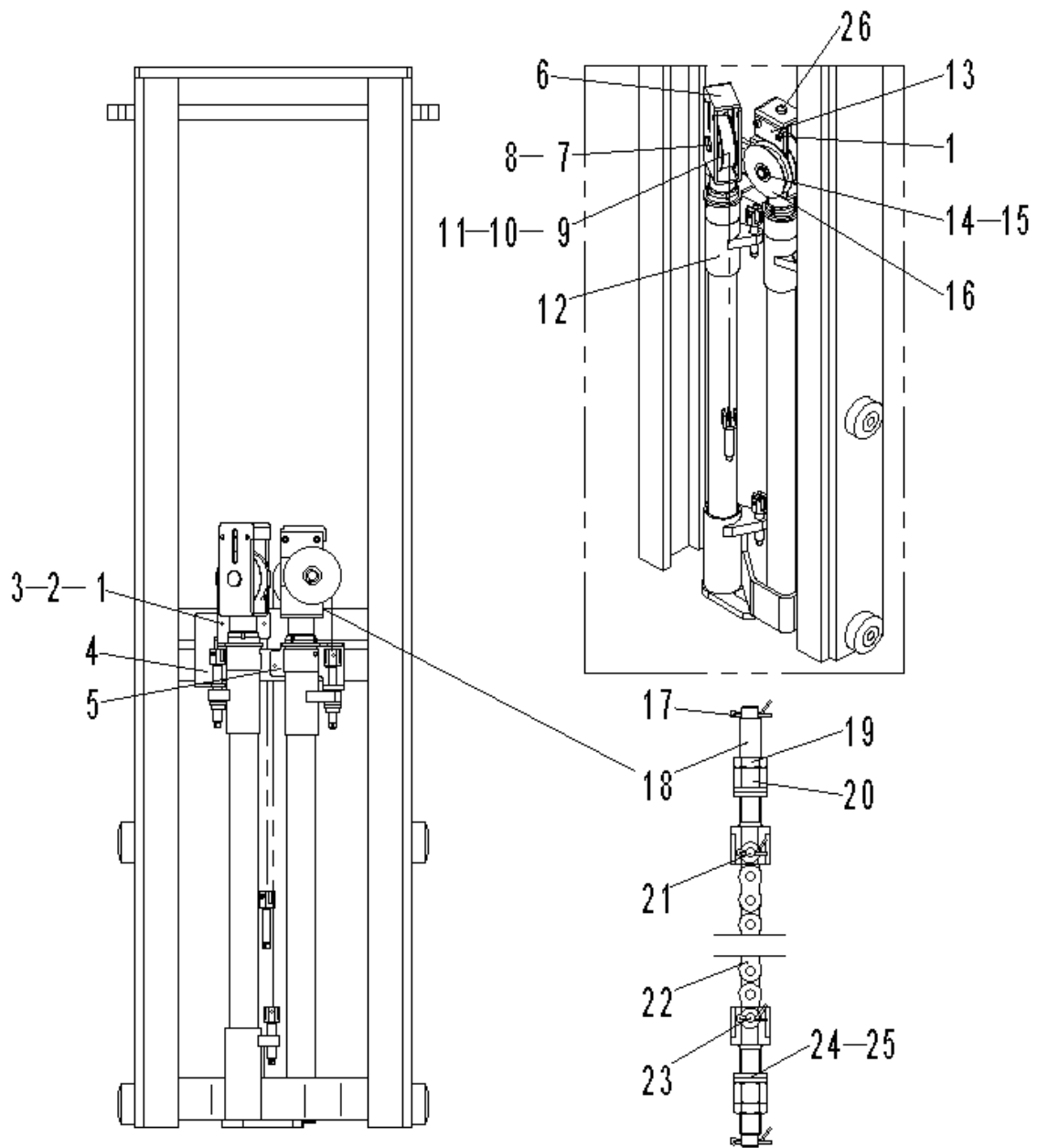


Fig. 24 Mast lifting system (Two-stage mast Full Free Lift)

No.	Parts No.	Item	Qty.	Note	Standard
1	0000023067	Screw	8	M8x16	GB/T70.1=ISO4762
2	0000025001	Washer	6	8	GB/T93
3	0000025011	Washer	6	8	GB/T95
4	9000009003	Holder	1	1	
5	9000009002	Holder	1	2	
6	2010305001	Chain wheel carrier	2		
7	2030301001	Chain wheel shaft components	2		
8	0000023103	Screw	2	M6x8	GB/T70.3=ISO10642
9	2010310001	Chain wheel	2		
10	0000027012	Ball bearing	4	6206	GB/T276
11	2000302002	Adjusting washer	4	2	
12	9000009001	Welded tension bar seat	2		
13	2000301002	Welded pulley carrier	1		
14	0000025031	Washer	1	20	GB/T95
15	0000026003	Retainer ring for shaft	1	20	GB/T894.1
16	2000310002	Pulley	1		
17	0000028011	Split pin	4	3x40	GB/T91=ISO1234
18	9000009005	Chain tension bar	4		
19	0000024014	Nut	4	M16x1.5	GB/T6173=ISO8675
20	0000024042	Nut	8	M16x1.5	GB/T6171=ISO8673
21	0000028010	Split pin	8	2x20	GB/T91=ISO1234
22	0090000484	Chain LH1244x61	2	2900	GB/T6074=ISO4347
	0000029017	Chain LH1244x69		3600	GB/T6074=ISO4347
23	0000028060	Hinge pin	4	8x35	GB/T882=ISO2341
24	0000025098	Washer	4	16	GB/T849
25	0000025099	Washer	4	16	GB/T850
26	2010319001	Cushion pad	2		

Fig. 25 Hydraulic system (Three-stage mast Full Free

Lift/Straddle Leg)

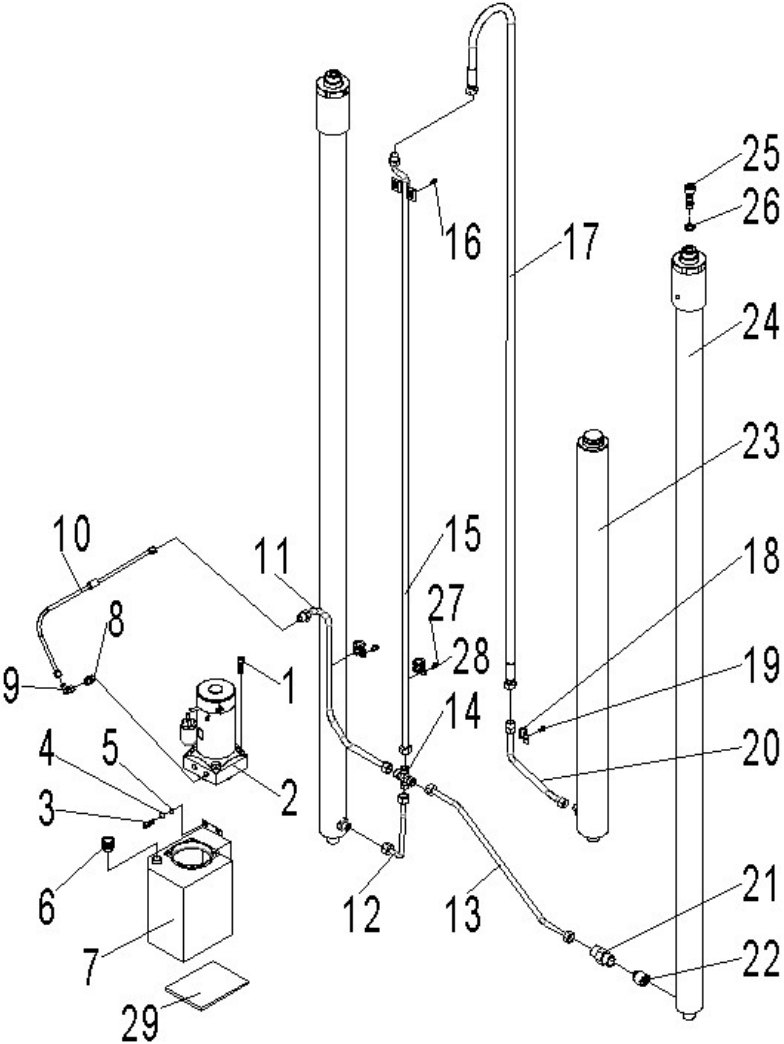


Fig. 25 Hydraulic System (Three-stage mast Full Free Lift / Straddle Leg)

No.	Parts No.	Item	Qty.	Note	Standard
1	0000023090	Screw	4	M6×35	GB/T70.1=ISO4762
2	9000008796	DC hydraulic power unit body	1	High pressure pump station	
3	0000023044	Screw	2	M8×20	GB/T70.1=ISO4762
4	0000025001	Washer	2	8	GB/T93
5	0000025011	Washer	2	8	GB/T95
6	2000303001	Hydraulic oil tank cover	1		
7	9000008249	Oil tank welding	1		
8	9000007832	G end direct connection pipe joint	1		
9	9000007838	Steering connecting elbow	1		
10	9000010283	Tube	1		
11	9000008250	Pump station outlet steel pipe	1		
12	9000008252	Left cylinder steel pipe	1		
13	9000008251	Right cylinder steel pipe	1		
14	9000007841	Four-way joint	1		
15	9000008253	Middle cylinder steel pipe	1	5000	
	9000009055			4300	
	9000009056			4600	
	9000009057			5500	
	9000009058			6000	
16	0000023053	Screw	2	M6×12	GB/T70.1=ISO4762
17	9000011658	Hydraulic tube assembly	1	5000	
	9000010284			4300	
	9000010286			4600	
	9000010288			5500	
	9000010289			6000	
18	9000008325	Screw	3		
19	0000023020	Hydraulic tube assembly	1	M6×20	GB/T70.1=ISO4762
20	9000008254	YGE rubber pipe clamp	1	1	

21	9000007842	Screw	3		
22	2000337001	Safety valve	3		
23	9000008255	High pressure middle cylinder	1	5000	
	9000009027			4300	
	9000009028			4600	
	9000009029			5500	
	9000009030			6000	
24	9000008256	High pressure outer cylinder	2	5000	
	9000009007			4300	
	9000009008			4600	
	9000009009			5500	
	9000009010			6000	
25	0000023094	Screw	3	M12×30	GB/T70.1=ISO4762
26	0000025032	Washer	3	12	GB/T95
27	0000023042	Screw	2	M6×10	GB/T70.1=ISO4762
28	0000023055	Washer	2	6	GB/T95
29	9000010307	Anti-vibration pad	1		

Fig. 26 Hydraulic system (Three-stage mast Full Free Lift/Straddle Leg,proportional lifting)

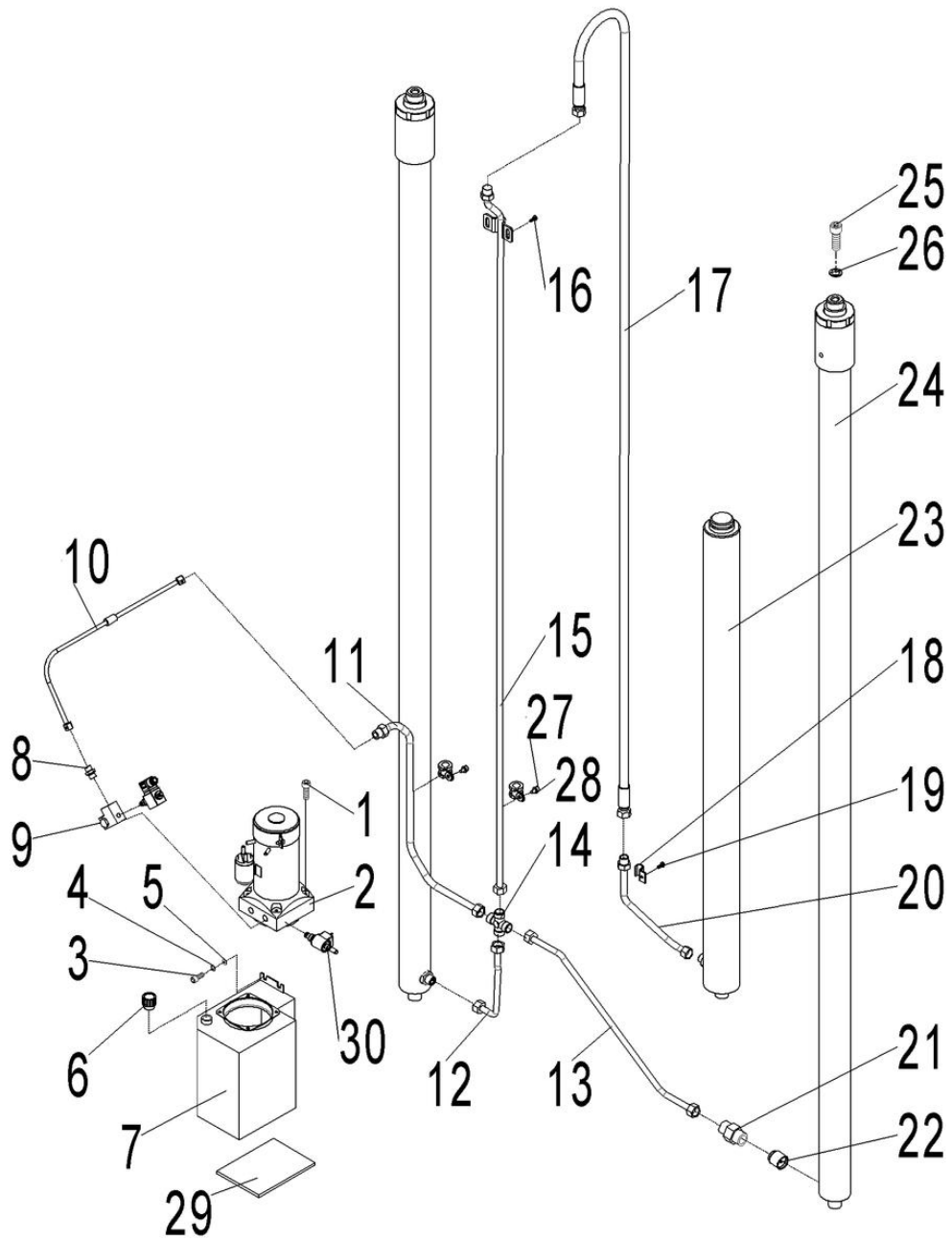


Fig. 26 Hydraulic System (Three-stage mast Full Free Lift / Straddle Leg,proportional lifting)

No.	Parts No.	Item	Qty.	Note	Standard
1	0000023090	Screw	4	M6×35	GB/T70.1=ISO4762
2	9000008796	DC hydraulic power unit body	1	High pressure pump station	
3	0000023044	Screw	2	M8×20	GB/T70.1=ISO4762
4	0000025001	Washer	2	8	GB/T93
5	0000025011	Washer	2	8	GB/T95
6	2000303001	Hydraulic oil tank cover	1		
7	9000008249	Oil tank welding	1		
8	9000007832	G end direct connection pipe joint	1		
9	9000011791	valve plate assembly	1		
10	9000011789	Tube	1		
11	9000008250	Pump station outlet steel pipe	1		
12	9000008252	Left cylinder steel pipe	1		
13	9000008251	Right cylinder steel pipe	1		
14	9000007841	Four-way joint	1		
15	9000008253	Middle cylinder steel pipe	1	5000	
	9000009055			4300	
	9000009056			4600	
	9000009057			5500	
	9000009058			6000	
16	0000023053	Screw	2	M6×12	GB/T70.1=ISO4762
17	9000011658	Hydraulic tube assembly	1	5000	
	9000010284			4300	
	9000010286			4600	
	9000010288			5500	
	9000010289			6000	
18	9000008325	Screw	3		
19	0000023020	Hydraulic tube assembly	1	M6×20	GB/T70.1=ISO4762
20	9000008254	YGE rubber pipe clamp	1	1	

21	9000007842	Screw	3		
22	2000337001	Safety valve	3		
23	9000008255	High pressure middle cylinder	1	5000	
	9000009027			4300	
	9000009028			4600	
	9000009029			5500	
	9000009030			6000	
24	9000008256	High pressure outer cylinder	2	5000	
	9000009007			4300	
	9000009008			4600	
	9000009009			5500	
	9000009010			6000	
25	0000023094	Screw	3	M12×30	GB/T70.1=ISO4762
26	0000025032	Washer	3	12	GB/T95
27	0000023042	Screw	2	M6×10	GB/T70.1=ISO4762
28	0000023055	Washer	2	6	GB/T95
29	9000010307	Anti-vibration pad	1		
30	9000011790	proportional valve	1		

**Fig. 27 Hydraulic system (Two-stage mast Normal/Straddle
Leg)**

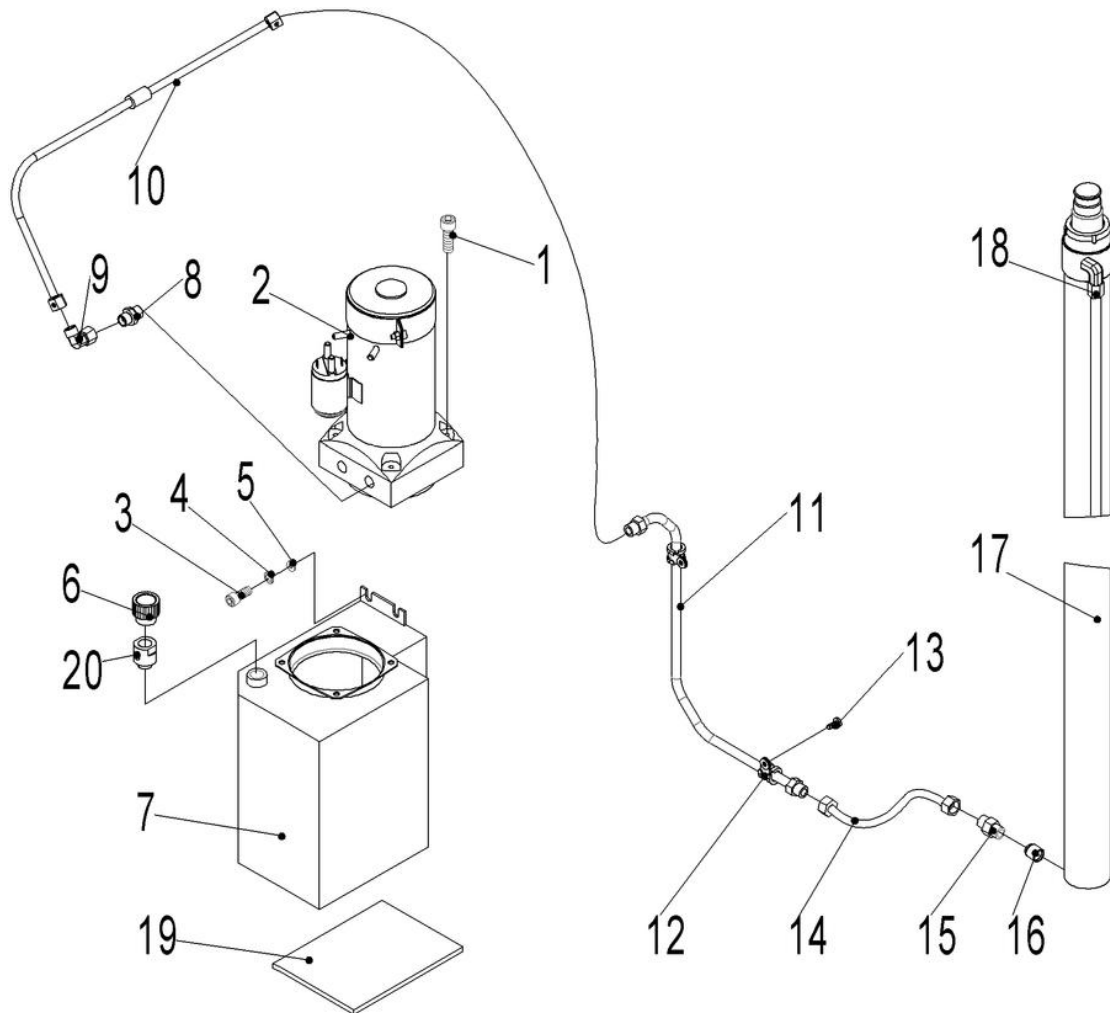


Fig. 27 Hydraulic System (Two-stage mast Normal / Straddle Leg)

No.	Parts No.	Item	Qty.	Note	Standard
1	0000023090	Screw	4	M6×35	GB/T70.1=ISO4762
2	9000008867	DC hydraulic power unit body	1	3200/3600/4000	
	9000007854			2900	
3	0000023044	Screw	2	M8×20	GB/T70.1=ISO4762
4	0000025001	Washer	2	8	GB/T93
5	0000025011	Washer	2	8	GB/T95
6	2000303001	Hydraulic cylinder cover	1		
7	9000008249	Welded cylinder	1		
8	9000007832	G end direct connection pipe joint	1		
9	9000007838	Steering connecting bend	1		
10	9000010282	Tube	1		
11	9000008987	Pump station outlet steel pipe	1		
12	9000008325	YGE rubber pipe clamp	2		
13	0000023042	Screw	2	M6×10	GB/T70.1=ISO4762
14	9000007820	Hydraulic tube assembly	1		
15	9000007842	Direct pipe joint	1		
16	2000337001	Safe anti-explosion valve	1		
17	9000008960	Cylinder assembly	1	2900	
	9000008961			3200	
	9000008962			3600	
	9000008963			4000	
18	9000008964	Oil return tube assembly	1	2900	
	9000008965			3200	
	9000008966			3600	
	9000008967			4000	
19	9000010307	Anti-vibration pad	1		
20	2010317003	Joint	1		

**Fig. 28 Hydraulic system (Two-stage mast Normal/Straddle
Leg,proportional lifting)**

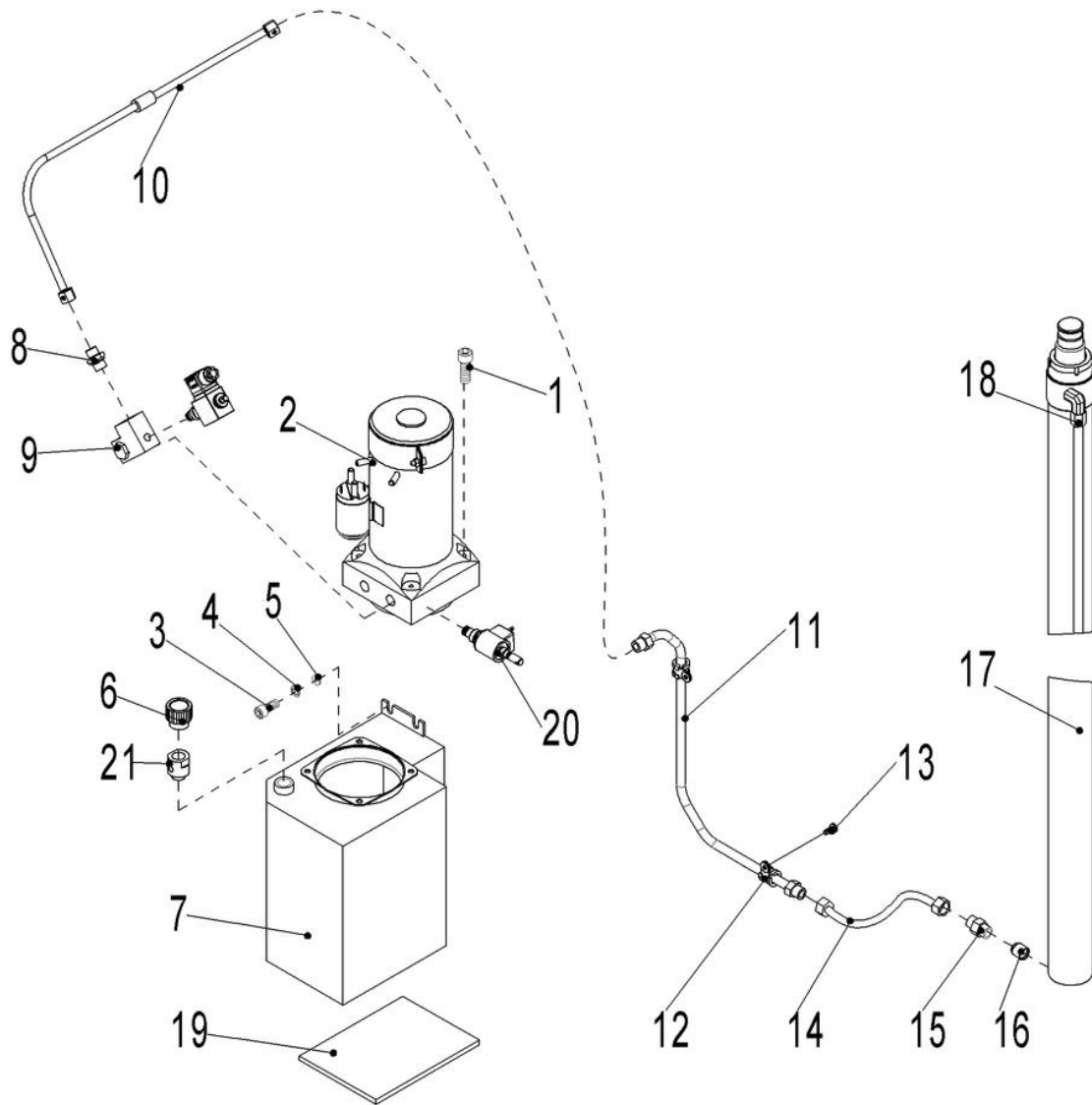


Fig. 28 Hydraulic System (Two-stage mast Normal / Straddle Leg,proportional lifting)

No.	Parts No.	Item	Qty.	Note	Standard
1	0000023090	Screw	4	M6×35	GB/T70.1=ISO4762
2	9000008867	DC hydraulic power unit body	1	3200/3600/4000	
	9000007854			2900	
3	0000023044	Screw	2	M8×20	GB/T70.1=ISO4762
4	0000025001	Washer	2	8	GB/T93
5	0000025011	Washer	2	8	GB/T95
6	2000303001	Hydraulic cylinder cover	1		
7	9000008249	Welded cylinder	1		
8	9000007832	G end direct connection pipe joint	1		
9	9000011791	valve plate assembly	1		
10	9000011788	Tube	1		
11	9000008987	Pump station outlet steel pipe	1		
12	9000008325	YGE rubber pipe clamp	2		
13	0000023042	Screw	2	M6×10	GB/T70.1=ISO4762
14	9000007820	Hydraulic tube assembly	1		
15	9000007842	Direct pipe joint	1		
16	2000337001	Safe anti-explosion valve	1		
17	9000008960	Cylinder assembly	1	2900	
	9000008961			3200	
	9000008962			3600	
	9000008963			4000	
18	9000008964	Oil return tube assembly	1	2900	
	9000008965			3200	
	9000008966			3600	
	9000008967			4000	
19	9000010307	Anti-vibration pad	1		
20	9000011790	proportional valve	1		
21	2010317003	Joint	1		

Fig. 29 Hydraulic system (Two-stage mast Full Free Lift/Straddle Leg)

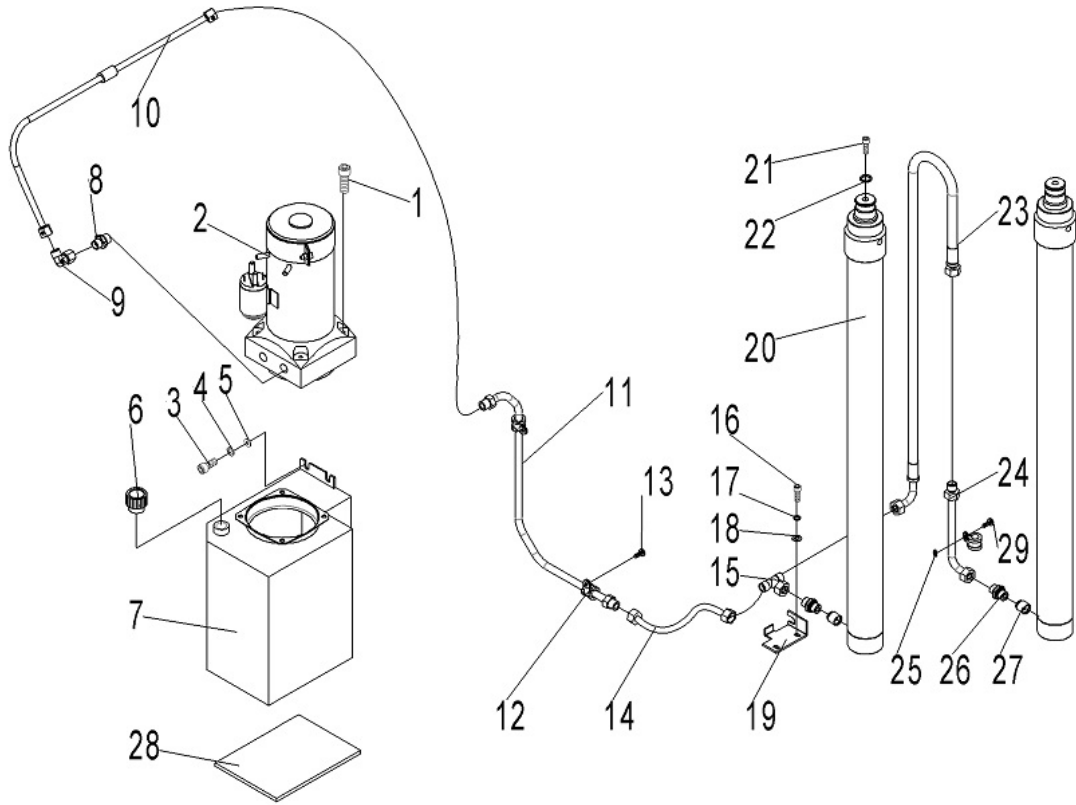


Fig. 29 Hydraulic System (Two-stage mast Full Free Lift/Straddle Leg)

No.	Parts No.	Item	Qty.	Note	Standard
1	0000023090	Screw	4	M6×35	GB/T70.1=ISO4762
2	9000008867	DC hydraulic power unit body	1	3600	
	9000007854			2900	
3	0000023044	Screw	2	M8×20	GB/T70.1=ISO4762
4	0000025001	Washer	2	8	GB/T93
5	0000025011	Washer	2	8	GB/T95
6	2000303001	Hydraulic cylinder cover	1		
7	9000008249	Welded cylinder	1		
8	9000007832	G end direct connection pipe joint	1		
9	9000007838	Steering connecting bend	1		
10	9000010282	Tube	1		
11	9000008987	Pump station outlet steel pipe	1		
12	9000008325	YGE rubber pipe clamp	3		
13	0000023042	Screw	2	M6×10	GB/T70.1=ISO4762
14	9000007820	Hydraulic tube assembly	1		
15	9000008887	Steering connecting bend	1		
16	0000023053	Screw	2	M6x12	GB/T70.1=ISO4762
17	0000025010	Washer	2	6	GB/T93
18	0000023055	Washer	2	6	GB/T95
19	2000302005	Tube card board	1		
20	9000008992	Hydraulic cylinder assembly	2	2900	
	9000008993			3600	
21	0000023101	Screw	2	M12×25	GB/T5783=ISO4017
22	0000025032	Washer	2		GB/T95
23	9000008888	Hydraulic tube assembly	1	2900	
	9000005537			3600	
24	9000009004	Steel tube	1		
25	0000024068	Nut	1	M6	GB/T6170=ISO4032
26	9000007842	Direct pipe joint	2		
27	2000337001	Safety valve	2		
28	9000010307	Anti-vibration pad	1		
29	0000023310	Screw	1	M6x20	GB/T5781=ISO4018

Fig. 30 Hydraulic system (Two-stage mast Full Free Lift/Straddle Leg,proportional lifting)

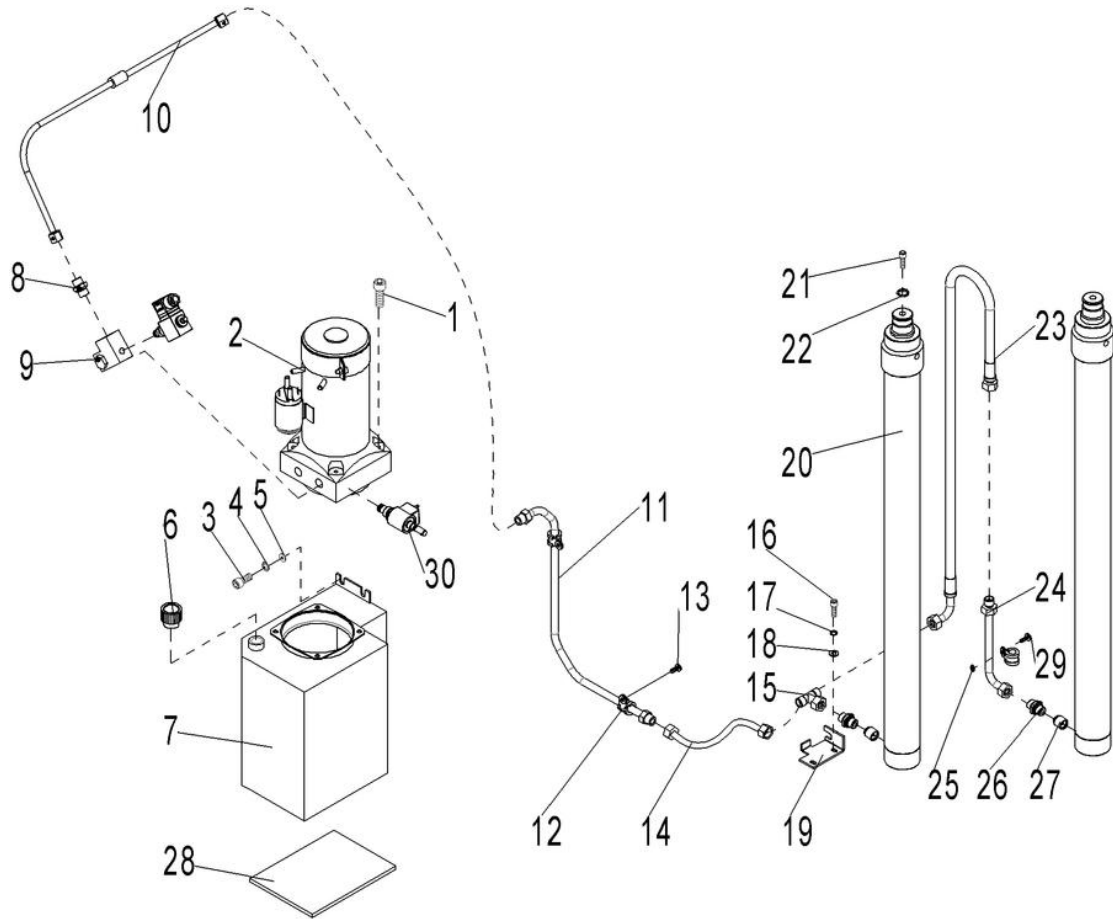


Fig. 30 Hydraulic System (Two-stage mast Full Free Lift/Straddle Leg,proportional lifting)

No.	Parts No.	Item	Qty.	Note	Standard
1	0000023090	Screw	4	M6×35	GB/T70.1=ISO4762
2	9000008867	DC hydraulic power unit body	1	3600	
	9000007854			2900	
3	0000023044	Screw	2	M8×20	GB/T70.1=ISO4762
4	0000025001	Washer	2	8	GB/T93
5	0000025011	Washer	2	8	GB/T95
6	2000303001	Hydraulic cylinder cover	1		
7	9000008249	Welded cylinder	1		
8	9000007832	G end direct connection pipe joint	1		
9	9000011791	valve plate assembly	1		
10	9000011788	Tube	1		
11	9000008987	Pump station outlet steel pipe	1		
12	9000008325	YGE rubber pipe clamp	3		
13	0000023042	Screw	2	M6×10	GB/T70.1=ISO4762
14	9000007820	Hydraulic tube assembly	1		
15	9000008887	Steering connecting bend	1		
16	0000023053	Screw	2	M6x12	GB/T70.1=ISO4762
17	0000025010	Washer	2	6	GB/T93
18	0000023055	Washer	2	6	GB/T95
19	2000302005	Tube card board	1		
20	9000008992	Hydraulic cylinder assembly	2	2900	
	9000008993			3600	
21	0000023101	Screw	2	M12×25	GB/T5783=ISO4017
22	0000025032	Washer	2		GB/T95
23	9000008888	Hydraulic tube assembly	1	2900	
	9000005537			3600	
24	9000009004	Steel tube	1		
25	0000024068	Nut	1	M6	GB/T6170=ISO4032
26	9000007842	Direct pipe joint	2		
27	2000337001	Safety valve	2		
28	9000010307	Anti-vibration pad	1		
29	0000023310	Screw	1	M6x20	GB/T5781=ISO4018
30	9000011790	proportional valve	1		

**Fig. 31 Outer cylinder seal kit (Three-stage mast Full Free
Lift/Straddle Leg)**

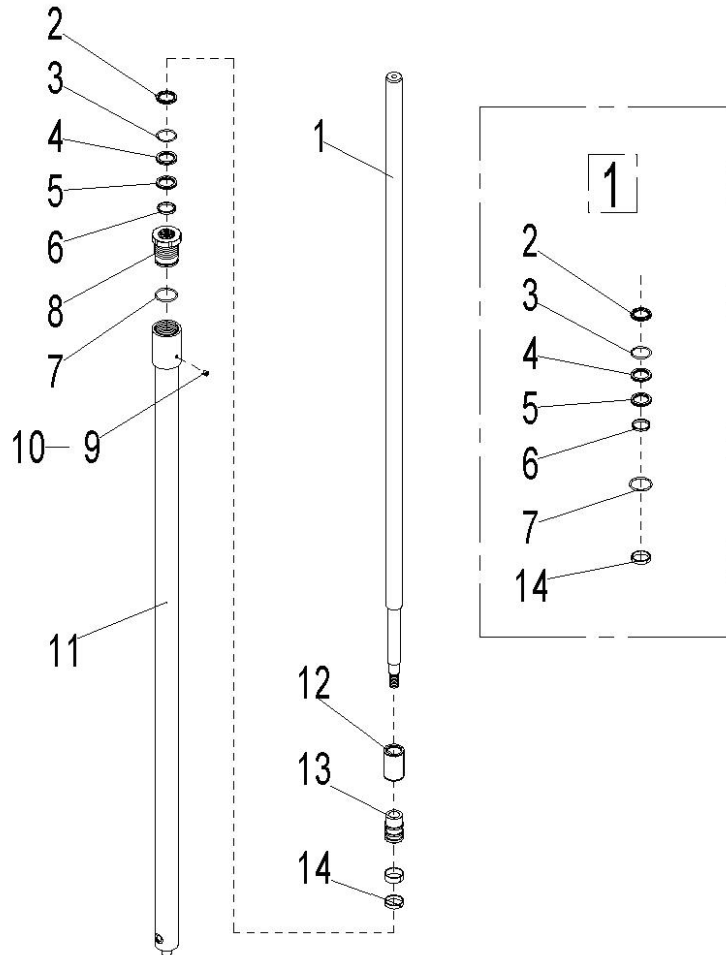


Fig. 31 Outer cylinder seal kit(Three-stage mast Full Free Lift / Straddle Leg)

No.	Parts No.	Item	Qty.	Note	Standard
1	9000009011	Piston rod	1	5000	
	9000009012			4300	
	9000009013			4600	
	9000009014			5500	
	9000009015			6000	
2	9000009075	Dust cover	1	32X40X5/6.5	
3	9000008954	Support ring for shaft	1	32X36X5	
4	9000011557	O ring		31.7X3.5	
5	9000009079	Seal ring for shaft	1	32X42X6/7	
6	9000008953	Seal ring	1	32X42.7X4.2	
7	9000011558	O ring	2	44.4X3.1	
8	9000009016	Guide sleeve	1		
9	0000023415	Screw	1	M8X10	GB/T70.1=ISO4762
10	0000022026	Combination washer	1	8	JB/T982
11	9000009017	Cylinder body	1	5000	
	9000009018			4300	
	9000009019			4600	
	9000009020			5500	
	9000009021			6000	
12	9000009022	Bushing	1	5000	
	9000009023			4300/4600	
	9000009024			5500	
	9000009025			6000	
13	9000009026	Piston	1		
14	9000008955	Support ring for hole	2	36X40X10	
1	9000003636	Outer cylinder seal kit	2		

Fig. 32 Middle cylinder seal kit (Three-stage mast Full Free Lift/Straddle Leg)

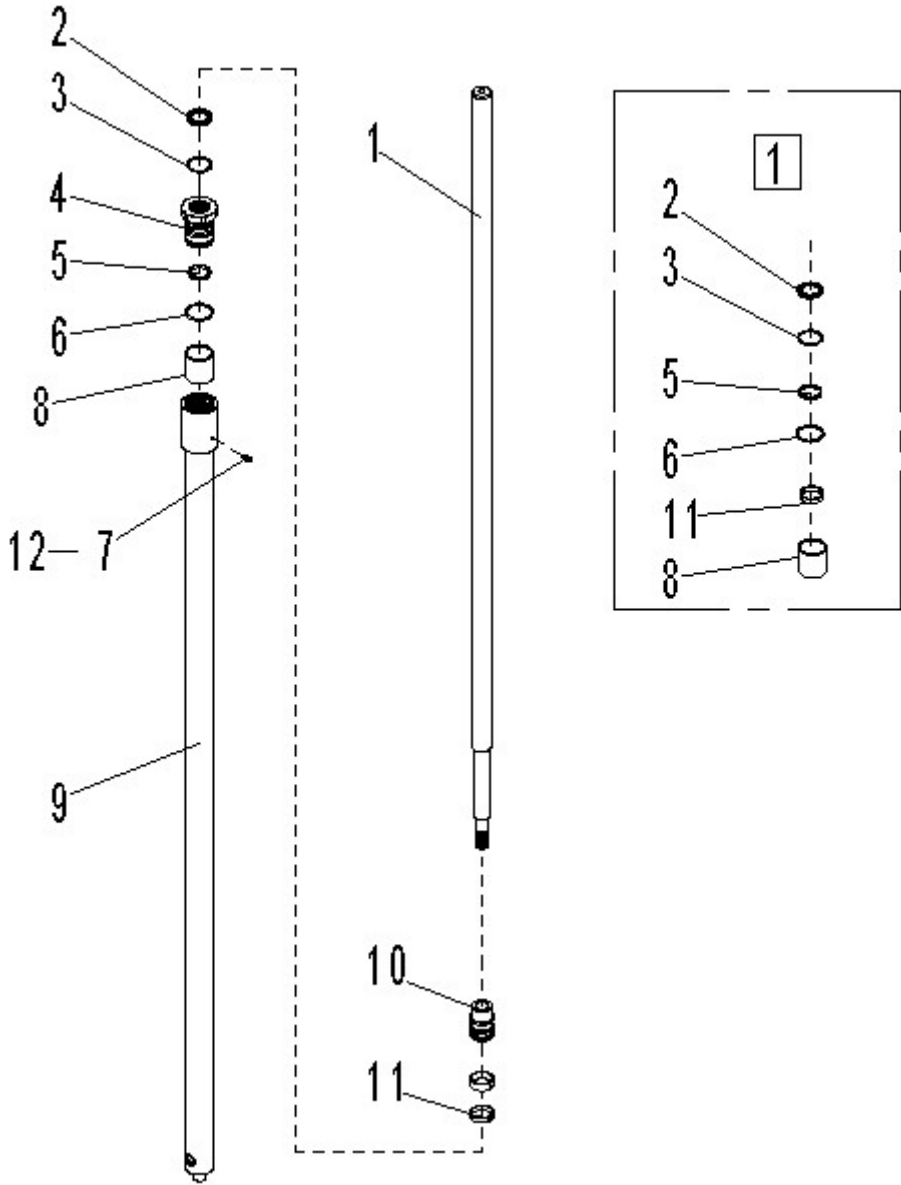


Fig. 32 Middle cylinder seal kit(Three-stage mast Full Free Lift / Straddle Leg)

No.	Parts No.	Item	Qty.	Note	Standard
1	9000009031	Piston rod	1	5000	
	9000009032			4300	
	9000009033			4600	
	9000009035			5500	
	9000009034			6000	
2	9000009076	Dust cover	1	45X53X5/6.5	
3	9000009078	Seal ring for shaft	1	45X55X6/7	
4	9000009036	End cap	1		
5	9000008957	Retainer ring	1	55X60X1.5	
6	0000022055	O ring	1	60X3.1	GB/T3452.1=ISO3601-1
7	0000023415	Screw	1	M8X10	GB/T70.1=ISO4762
8	9000009077	Copper sleeve	1	45X50X30	
9	9000009037	Cylinder body	1	5000	
	9000009038			4300	
	9000009039			4600	
	9000009040			5500	
	9000009041			6000	
10	9000009042	Piston	1		
11	9000008956	Support ring for hole	1	48X52X15	
12	0000022026	Washer	1	8	JB/T982
1	9000003637	Middle cylinder seal kit	1		

Fig. 33 Cylinder (Two-stage mast Normal/Straddle Leg)

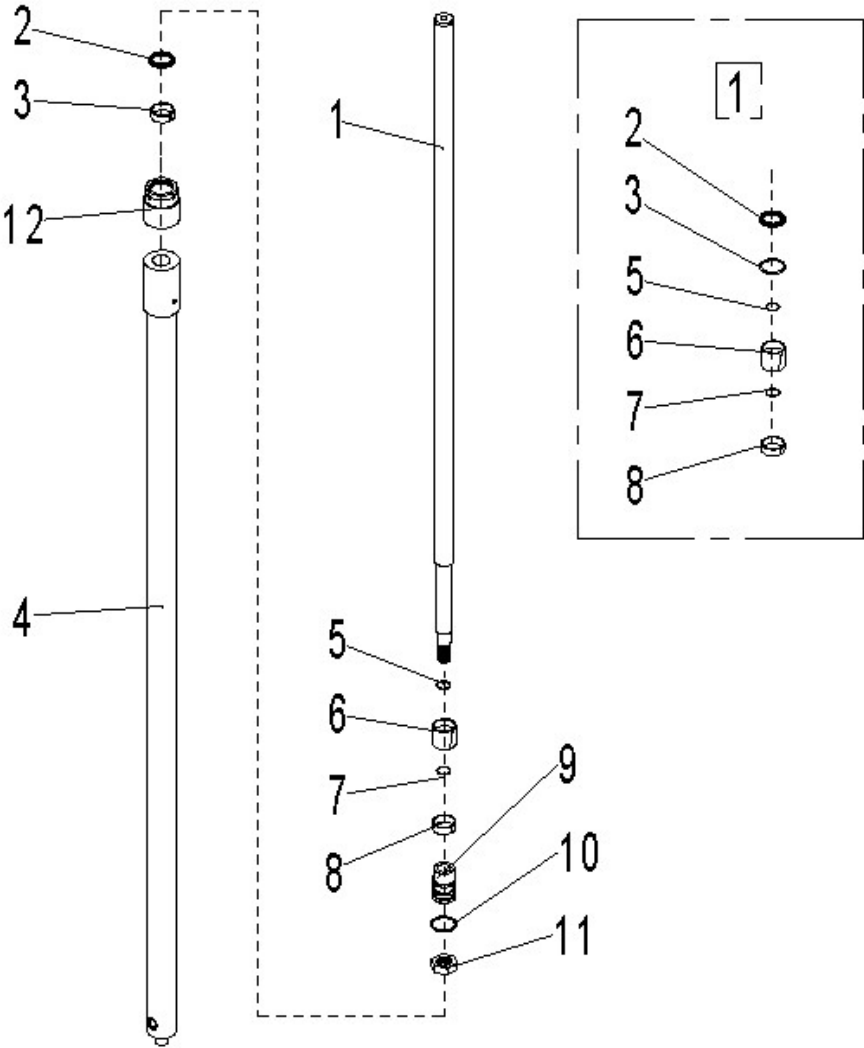


Fig. 33 Cylinder (Two-stage mast Normal / Straddle Leg)

No.	Parts No.	Item	Qty.	Note	Standard
1	9000009922	Piston rod	1	2900	
	9000009923			3200	
	9000009924			3600	
	9000009925			4000	
2	9000009926	Dust cover	1	40x48x5/6.5	
3	9000009927	Support ring for shaft	1	40X44X10	
4	9000009928	Cylinder body	1	2900	
	9000009929			3200	
	9000009930			3600	
	9000009931			4000	
5	9000011558	O ring	1	44.4X3.1	
6	9000009933	Support ring for hole	1	45X50X10	
7	9000009934	O ring	2	24.4X3.1	
8	9000009178	Y ring for hole	1	40X50X6/7	
9	9000009935	Piston	1		
10	0000025100	Washer	1	24	GB/T93
11	0000024072	Nut	1	M24x1.5	GB/T6171=ISO8673
12	9000009936	Coer	1		
①	9000009943	Cylinder seal kit	1		

Fig. 34 Cylinder (Two-stage mast Full Free Lift)

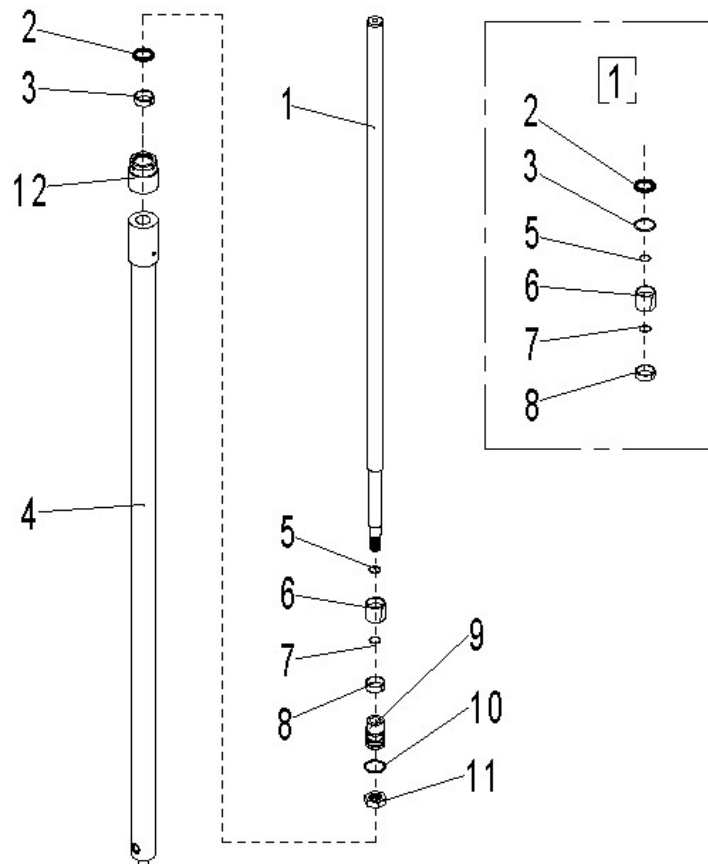


Fig. 34 Cylinder (Two-stage mast Full Free Lift)

No.	Parts No.	Item	Qty.	Note	Standard
1	9000009937	Piston rod	1	2900	
	9000009938			3600	
2	9000009926	Dust cover	1	40x48x5/6.5	
3	9000009927	Support ring for shaft	1	40X44X10	
4	9000009939	Cylinder body	1	2900	
	9000009940			3600	
5	9000011558	O ring	1	44.4X3.1	
6	9000009933	Support ring for hole	1	45X50X10	
7	9000009934	O ring	2	24.4X3.1	
8	9000009178	Y ring for hole	1	40X50X6/7	
9	9000009941	Piston	1		
10	0000025033	Washer	1		GB/T93
11	0000024074	Nut	1	M20x1.5	GB/T6171=ISO8673
12	9000009942	Guide bushing	1		
1	9000009944	Cylinder seal kit	2		

Fig. 35 Manual steering wheel carrier

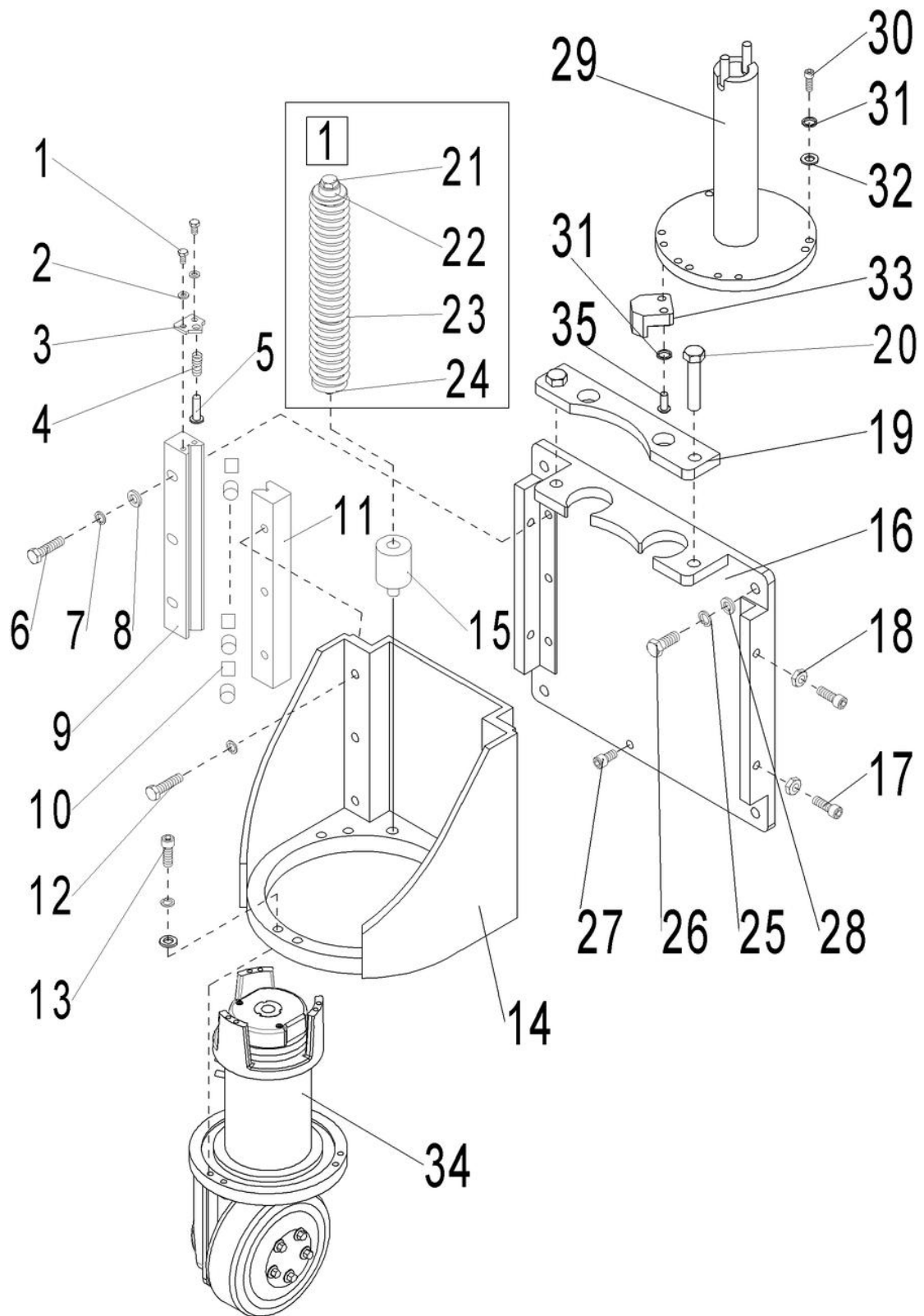


Fig. 35 Manual Steering Wheel Carrier

No.	Parts No.	Item	Qty.	Note	Standard
1	0000023042	Screw	8	M6×10	GB/T70.1=ISO4762
2	0000025010	Washer	8	6	GB/T93
3	2000202006	End cover	4		
4	2000231001	Spring	4		
5	2000207001	Spring spindle	4		
6	0000023099	Screw	6	M10×45	GB/T70.1=ISO4762
7	0000023006	Washer	18	10	GB/T93
8	0000025002	Washer	18	10	GB/T95
9	2000202004	V type outer block	2		
10	2000202008	Roller	24		
11	2000202005	V type inner block	2		
12	0000023025	Screw	6	M10×40	GB/T70.1=ISO4762
13	0000023099	Screw	6	M10×45	GB/T70.1=ISO4762
14	2000201005	Wheel carrier welding	1		
15	2000202003	Cushion block	2		
16	2000201004	Supporting frame welding	1		
17	0090000602	Screw	4	M10×25	GB/T821
18	0000024012	Thin nut	4	M10	GB/T6172.1=ISO4035
19	9000008321	Top plate	1		
20	0000023095	Full thread bolt	2	M14×60	GB/T5783=ISO4017
21	2000223001	Screw	2	M10×180	
22	2000208001	Spring guide sleeve	2		
23	9000012451	Spring	2		Three-stage mast
	2000231002				Two-stage mast
24	2000212001	Spring guide rod	2		
25	0000025024	Washer	4	12	GB/T93
26	0000023094	Screw	4	M12×30	GB/T70.1=ISO4762
27	0000023098	Screw	1	M12×10	GB/T70.1=ISO4762
28	0000025032	Washer	4	12	GB/T95
29	9000008257	Handle shaft welding	1		
30	0000023172	Screw	6	M8×30	GB/T70.1=ISO4762
31	0000025001	Washer	10	8	GB/T93
32	0000025011	Washer	6	8	GB/T95
33	2000202001	Limit block	2		
34	9000007774	Vertical type drive	1	7EL-AC-1.3	
35	0090000859	Screw	4	M8x25	GB/T70.2=ISO7380
①	9000012452	Spring assembly	2		Three-stage mast
	2000200003				Two-stage mast

Fig. 36 Electric power assisted steering wheel carrier

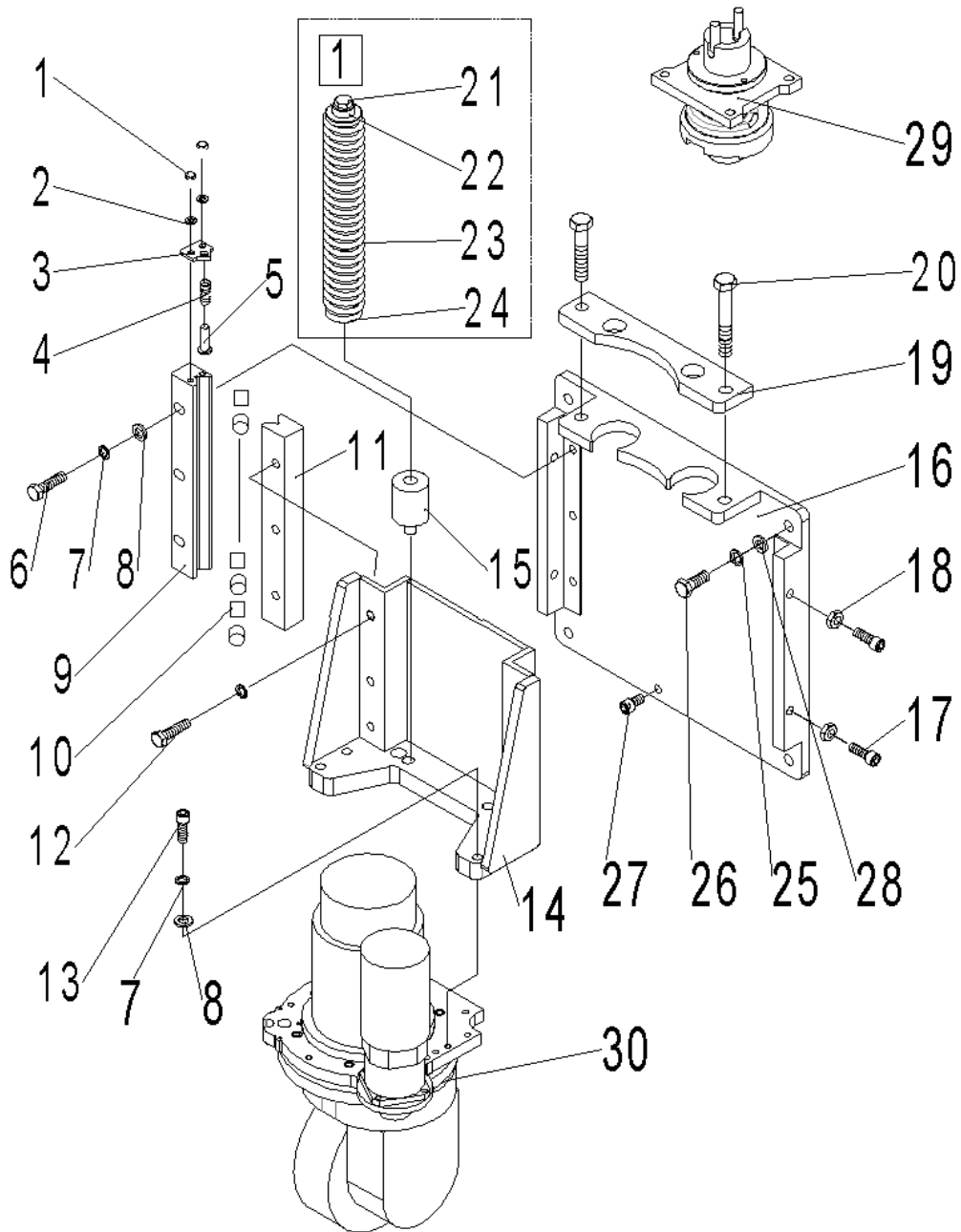


Fig. 36 Electric Power Assisted Steering Wheel Carrier

No.	Parts No.	Item	Qty.	Note	Standard
1	0000023042	Screw	8	M6×10	GB/T70.1=ISO4762
2	0000025010	Washer	8	6	GB/T93
3	2000202006	End cover	4		
4	2000231001	Spring	4		
5	2000207001	Spring spindle	4		
6	0000023099	Screw	6	M10×45	GB/T70.1=ISO4762
7	0000023006	Washer	18	10	GB/T93
8	0000025002	Washer	22	10	GB/T95
9	2000202004	V type outer	2		
10	2000202008	Roller	24		
11	9000007685	V type inner	2		
12	0000023025	Screw	6	M10×40	GB/T70.1=ISO4762
13	0000023099	Screw	6	M10×45	GB/T70.1=ISO4762
14	9000007680	Wheel carrier welding	1		
15	2000202003	Cushion block	2		
16	2000201004	Supporting frame welding	1		
17	0090000602	Screw	4	M10×25	GB/T821
18	0000024012	Thin nut	4	M10	GB/T6172.1=ISO4035
19	2000202002	Top plate	1		
20	0000023095	Bolt	2	M14×60	GB/T5783=ISO4017
21	2000223001	Screw	2	M10×180	
22	2000208001	Spring guide	2		
23	9000012451	Spring	2		Three-stage mast
	2000231002				Two-stage mast
24	2000212001	Spring guide	2		
25	0000025024	Washer	4	12	GB/T93
26	0000023094	Screw	4	M12×30	GB/T70.1=ISO4762
27	0000023098	Screw	1	M12×10	GB/T70.1=ISO4762
28	0000025032	Washer	4	12	GB/T95
29	9000007686	Electronic steering	1		
30	9000012138	Drive wheel assembly	1	26ELB-AC-1.3KW-R	
1	9000012452	Spring assembly	2		Three-stage mast
	2000200003				Two-stage mast

Fig. 37 Electric steering assembly

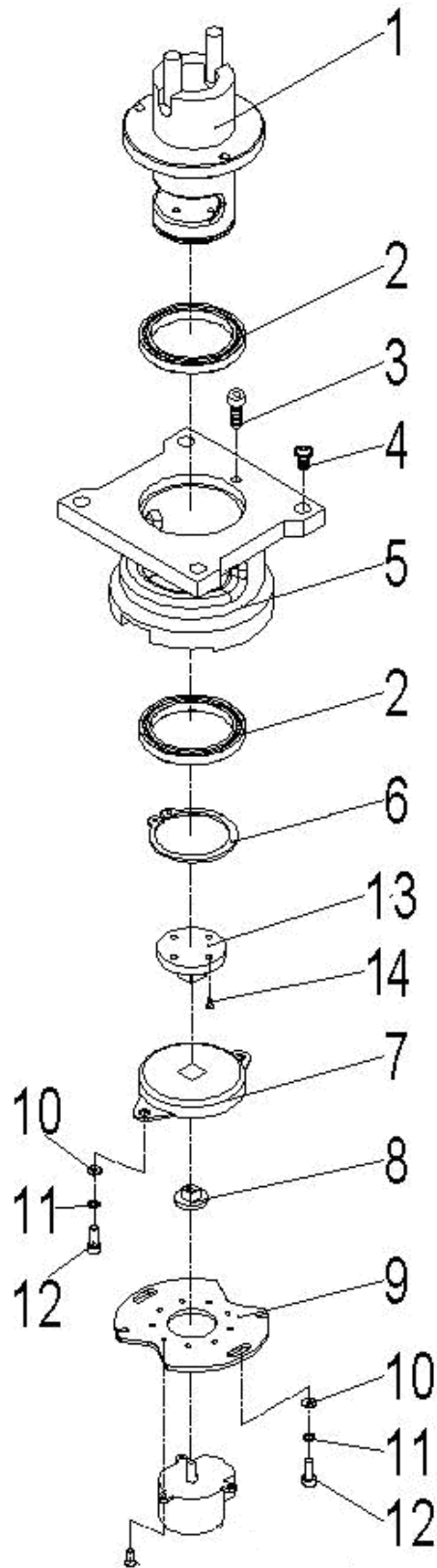


Fig. 37 Electric Steering Assembly

No.	Parts No.	Item	Qty.	Note	Standard
1	9000007422	Bearing seat welding	1		
2	9000000240	Ball bearing	2	65×50×7	GB/T276
3	0000023042	Screw	3	M6×10	GB/T70.1=ISO476
4	0000023034	Screw	4	M10×20	GB/T70.1=ISO476
5	9000007423	Fixing seat	1		
6	0000026043	Retainer ring for shaft	1	50	GB/T894.1
7	9000007806	Damper	1		
8	9000007421	Transition linking block	1		
9	9000007693	Potentiometer fixing plate	1		
10	0000023032	Washer	4	5	GB/T95
11	0000025015	Washer	4	5	GB/T93
12	0000023311	Screw	4	M5×10	GB/T70.1=ISO476
13	9000007424	Linking block	1		
14	0000023073	Screw	4	M4×10	GB/T70.1=ISO476

Fig. 38 Drive wheel assembly 7EL-AC-1.3

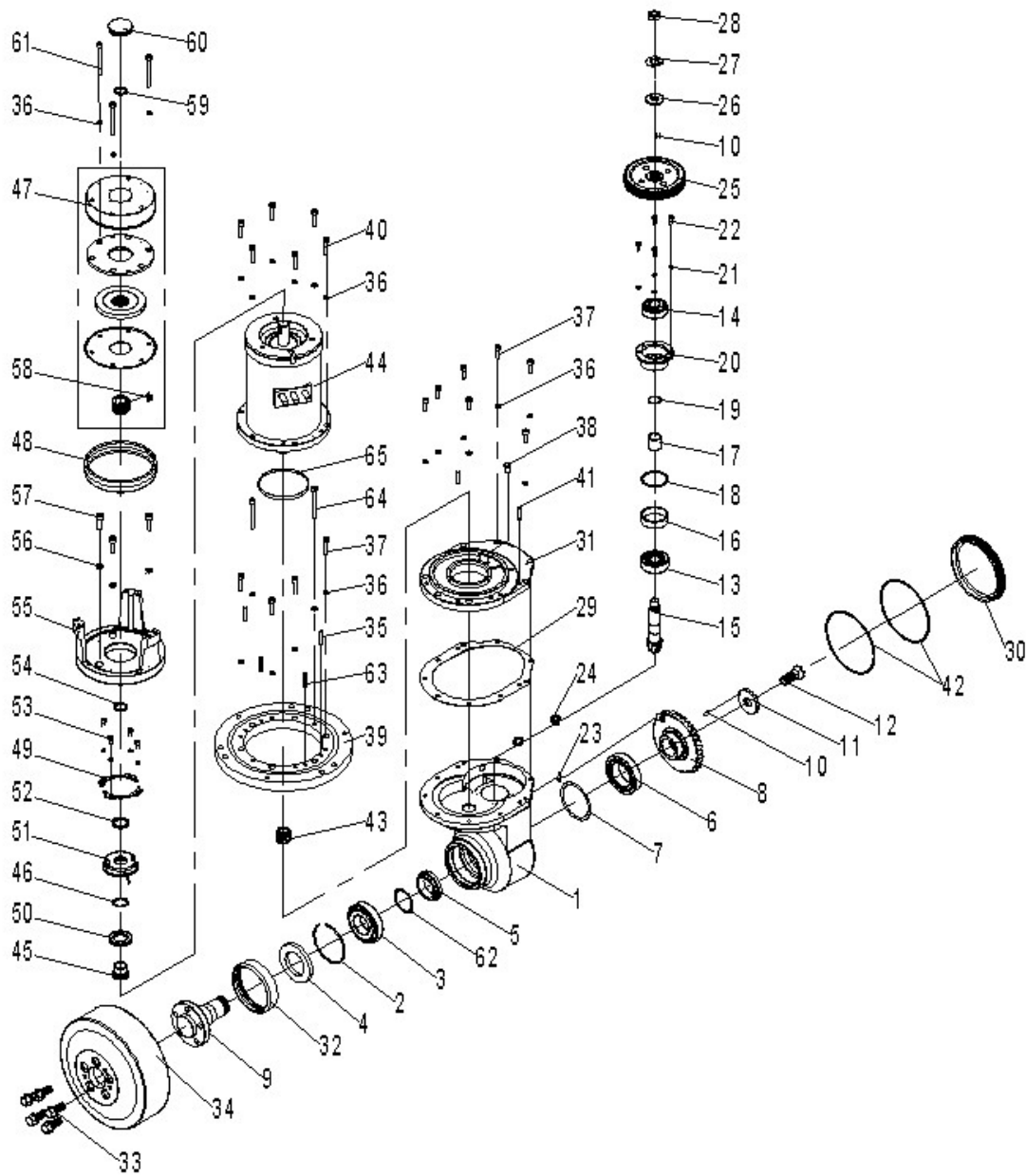


Fig. 38 Drive Wheel Assembly 7EL-AC-1.3

No.	Parts No.	Item	Qty.	Note	Standard
1	9000009493	Gear box	1		
2	9000009494	Retainer ring	1		
3	0090000116	Bearing	1	30208	GB/T297
4	0090000505	Oil seal	1	50×80×8	GB/T9877
5	9000009496	Bushing	1		
6	0000027031	Bearing	1	32010	GB/T297
7	9000009497	Adjusting washer	1		
8	9000009498	Gear	1		
9	9000009499	Drive wheel	1		
10	0090000117	Roll pin	2	4×12	GB/T119.1=ISO2338
11	9000009500	Retainer ring	1		
12	9000009501	Bolt	1		
13	0090000502	Bearing	1	32304	GB/T297
14	0090000503	Bearing	1	32204	GB/T297
15	9000009502	Gear	1		
16	9000009503	Outer thimble	1		
17	9000009504	Inner thimble	1		
18	9000009505	Adjusting washer	1		
19	9000009506	Adjusting washer	1		
20	9000009507	Shaft block	1		
21	0000025012	Washer	8	5	GB/T93
22	0000023675	Screw	4	M5×16	GB/T70.2=ISO7380
23	0000022036	Combination washer	3	12	JB/T982
24	0090000506	Plug			JB/ZQ4444
25	9000009508	Big gear	1		
26	9000009509	Washer	1		
27	0000025066	Washer	1	14	GB/T856
28	0090000090	Nut	1	M14×1.5	GB/T6173=ISO8675
29	9000009510	Washer	1		
30	9000009511	Side cover	1		
31	9000009512	Upper cover	1		
32	9000009513	Dust cover	1		

Fig. 38 Drive Wheel Assembly 7EL-AC-1.3

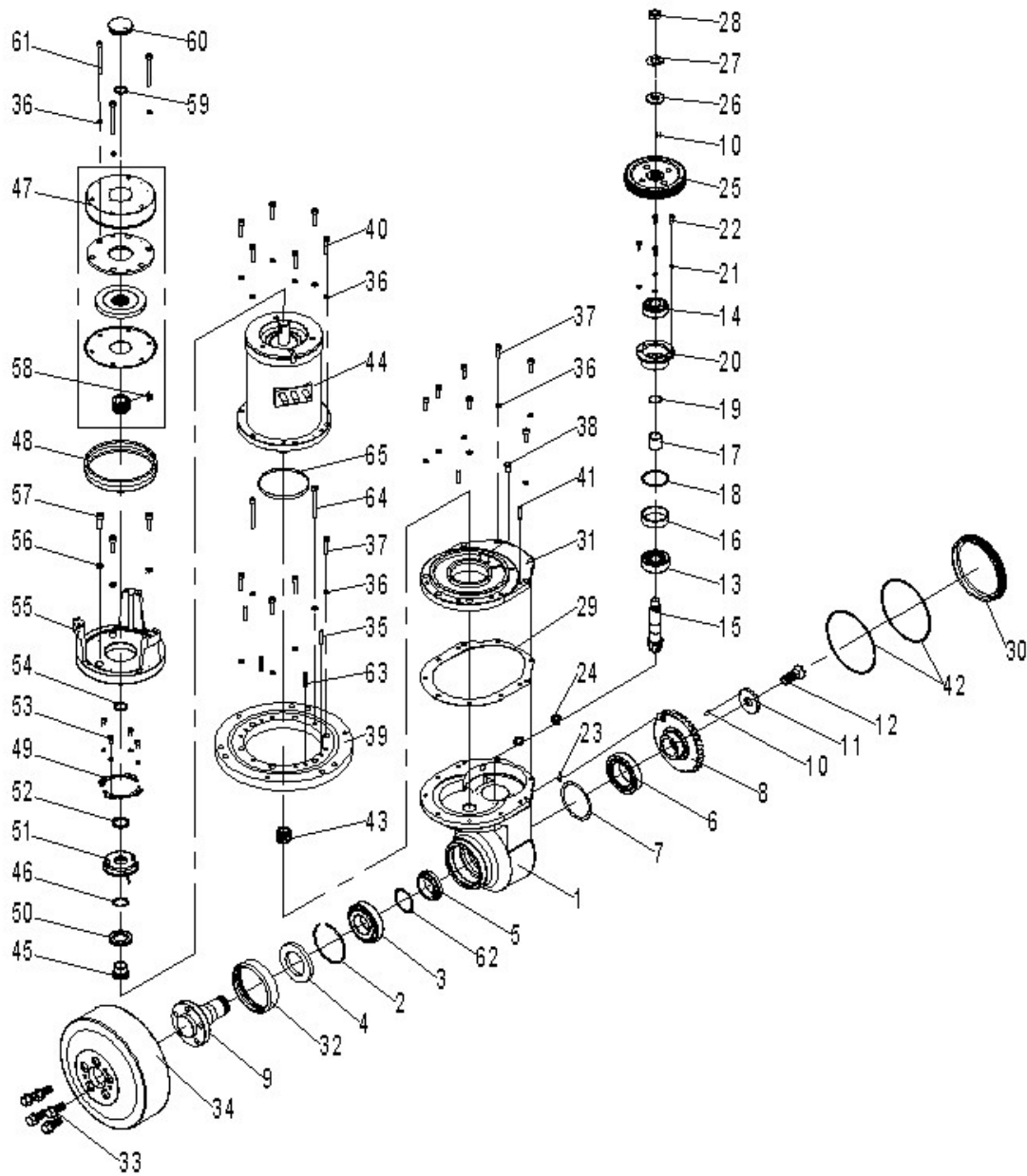


Fig. 38 Drive Wheel Assembly 7EL-AC-1.3

No.	Parts No.	Item	Qty.	Note	Standard
33	9000009514	Bolt	5		
34	9000009515	Drive wheel	1		
35	0000028027	Roll pin	2	6×30	GB/T119.1=ISO2338
36	0000025006	Washer	22	6	GB/T93
37	0000023020	Screw	11	M6×20	GB/T70.1=ISO4762
38	9000009495	Vent plug	1		
39	9000009516	Rotating support	1		
40	0000023106	Screw	6	M6×30	GB/T70.1=ISO4762
41	0090000504	Roll pin	2	6×26	GB/T119.1=ISO2338
42	0000022037	O seal ring	2	125×2.65	GB/T3452.1=ISO3601-1
43	9000009517	Small gear	1		
44	9000009518	Drive motor	1		
45	9000009519	Shaft sleeve	1		
46	0000026013	Retainer ring for shaft	1	25	GB/T894.1
47	9000009520	Brake	1		
48	9000009521	Dust cover	1		
49	9000009522	Flange	2		
50	9000009523	Speed sensor gear	1		
51	9000009524	Speed sensor	1		
52	9000009525	Spacer	1		
53	0000023311	Screw	4	M5×10	GB/T70.1=ISO4762
54	0000022059	O seal ring	1	20×2.65	GB/T3452.1=ISO3601-1
55	9000009526	Bracket	1		
56	0000025001	Washer	3	8	GB/T93
57	0000023047	Screw	3	M8x25	GB/T70.1=ISO4762
58	0000036003	Flat key	1	A 6×18	GB/T1096
59	0000026003	Retainer ring for shaft	1	20	GB/T894.1
60	9000009527	Dust cover	1		
61	0000023563	Screw	3	M6×65	GB/T70.1=ISO4762
62	9000009528	Adjusting washer	1		
63	0000028137	Roll pin	2	6×30	GB/T879.1=ISO8752
64	0090000321	Screw	2	M6×45	GB/T70.1=ISO4762
65	0000022038	O seal ring	1	65X2.65	GB/T3452.1=ISO3601-1

Fig. 39 26ELB-AC-1.3KW-R Drive wheel assembly

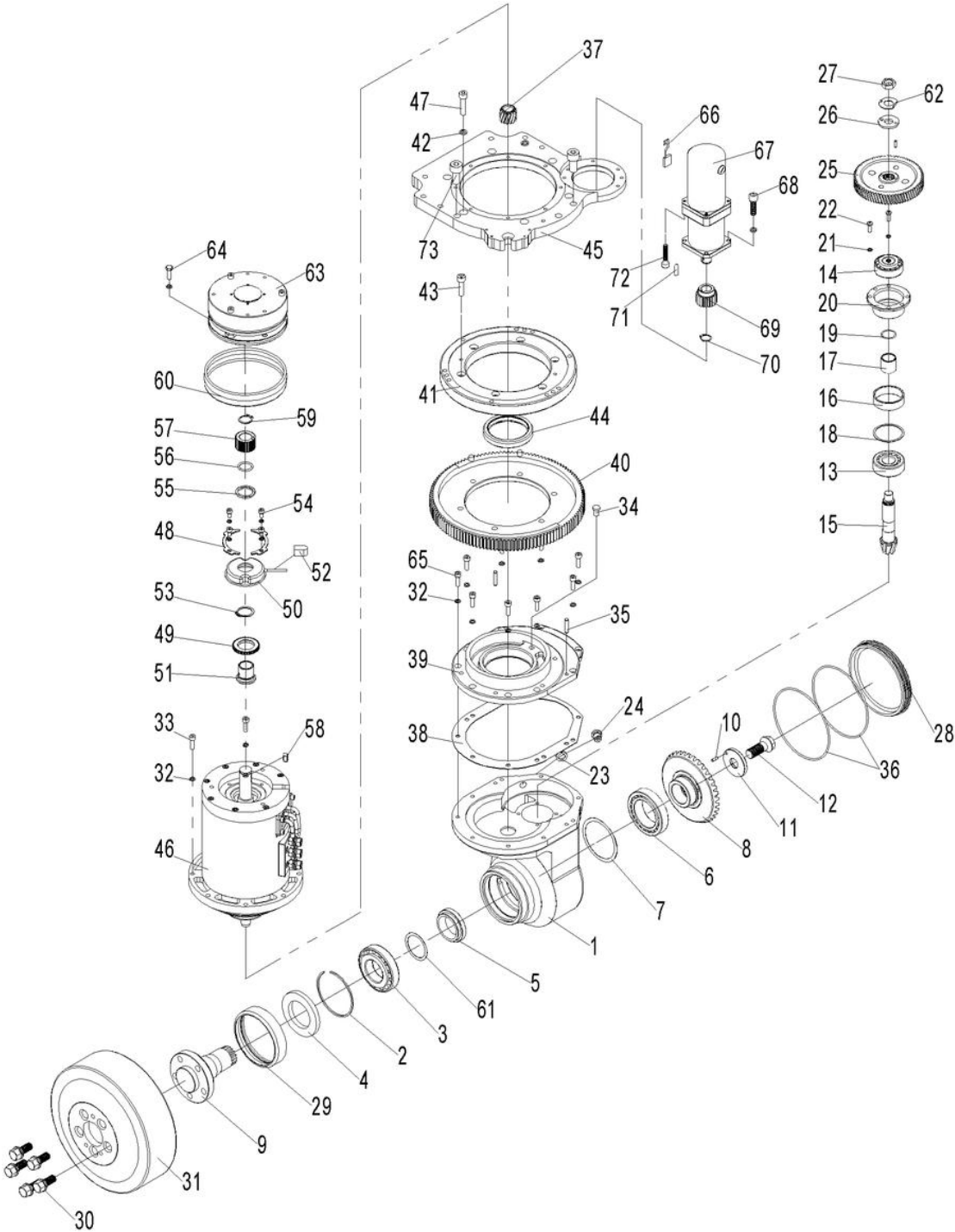


Fig. 39 26ELB-AC-1.3KW-R Drive Wheel Assembly

No.	Parts No.	Item	Qty.	Note	Standard
1	9000009493	Gear box	1		
2	9000009494	Retainer ring	1		
3	0090000116	Bearing	1	30208	GB/T297
4	0090000505	Oil seal	1	50x80x8	GB/T9877
5	9000009496	Bushing	1		
6	0000027031	Bearing	1	32010	GB/T276
7	9000009497	Adjustng washer	1		
8	9000009498	Gear	1		
9	9000009499	Drive shaft	1		
10	0090000117	Roll pin	2	4x12	GB/T119.2-2000
11	9000009500	Retainer ring	1		
12	9000009501	Locking bolt	1		
13	0090000502	Bearing	1	32304	GB/T276
14	0090000503	Bearing	1	32204	GB/T276
15	9000009502	Gear	1		
16	9000009503	Outter sleeve	1		
17	9000009504	Inner sleeve	1		
18	9000009505	Adjustng washer	1		
19	9000009506	Adjustng washer	1		
20	9000009507	Bearing seat	1		
21	0000025015	Washer	8	5	GB/T93
22	0000023107	Screw	4	M5x16	GB/T70.1=ISO4762
23	0000022036	Combination washer	3	12	JB/T982
24	0090000506	Bolt	3	M12x1.25	JB/ZQ4444-2006
25	9000009508	Big gear	1		
26	9000009509	Washer	1		
27	0090000090	Nut	1	M14x1.5	GB/T6173=ISO8675
28	9000009511	Side cover	1		
29	9000009513	Dust cover	1		
30	9000009514	Tyre bolt	5		
31	9000009515	Drive wheel	1		
32	0000025010	Washer	20	6	GB/T93
33	0000023106	Screw	8	M6x30	GB/T70.1=ISO4762
34	9000009495	Vent plug	1		
35	0090000504	Roll pin	2	6x26	GB/T119.1=ISO2338
36	0000022037	O ring	2	125x2.65	GB/T3452.1=ISO3601-1
37	9000009517	Small gear	1		
38	9000009824	Paper washer	1		
39	9000009825	Upper cover	1		
40	9000017958	String big gear	1		
41	9000009745	Rotating bearing	1		

Fig. 39 26ELB-AC-1.3KW-R Drive Wheel Assembly

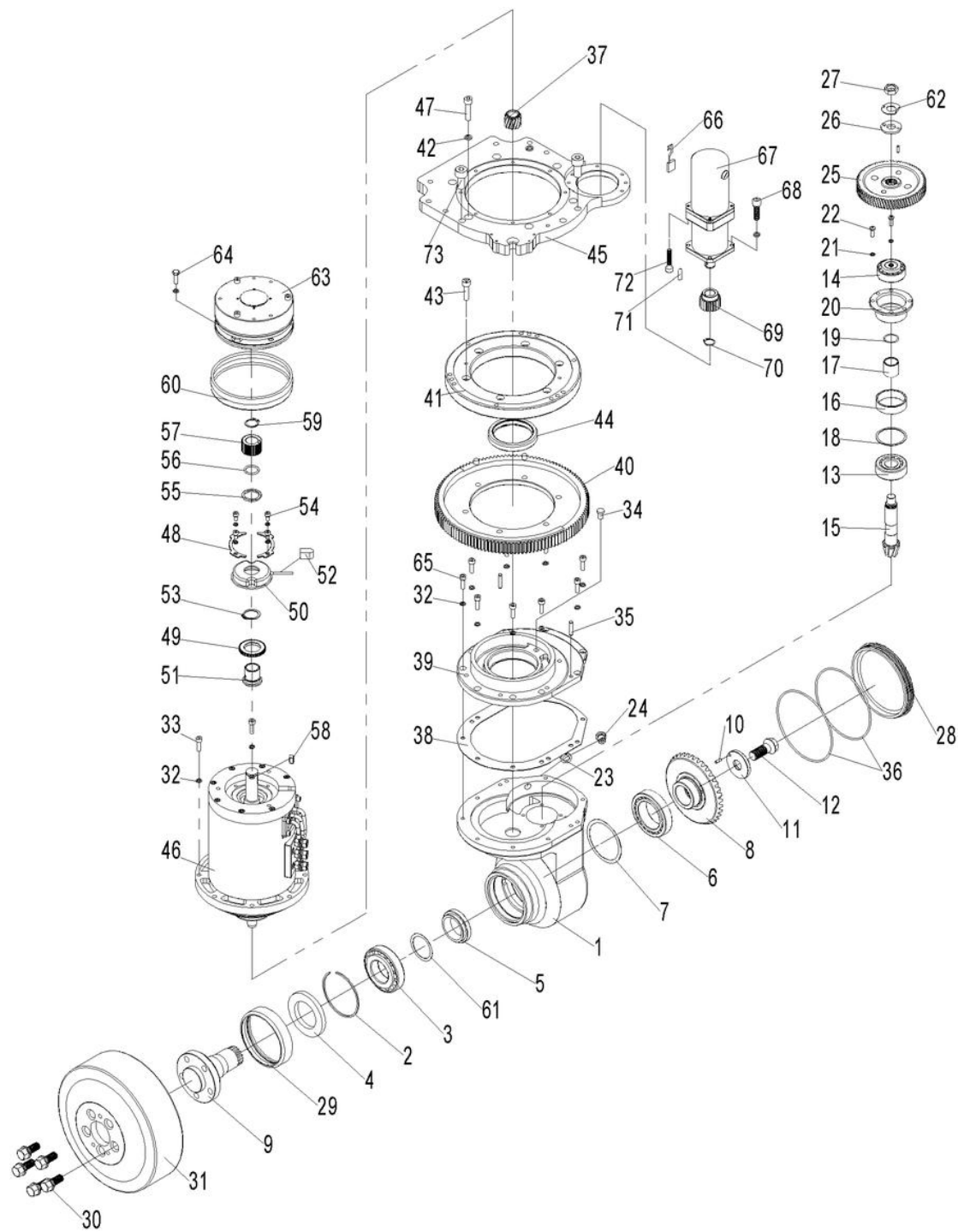


Fig. 39 26ELB-AC-1.3KW-R Drive Wheel Assembly

No.	Parts No.	Item	Qty.	Note	Standard
42	0000025001	Washer	6	8	GB/T93
43	0000023455	Screw	6	M8x35	GB/T70.1=ISO4762
44	0090000151	Oil seal	1		GB/T9877
45	9000017959	Assembling board	1		
46	9000009827	Motor	1		
47	0000023172	Screw	6	M8x30	GB/T70.1-2000
48	9000009522	Locking flange	2		
49	9000009523	Speed sensor gear	1		
50	9000009524	Speed sensor	1		
51	9000009748	Bearing	1		
52	9000008854	Bushing	1		
53	0000026013	Retainer ring for axle	1	25	GB/T894.1
54	0000023311	Screw	4	M5x10	GB/T70.1=ISO4762
55	9000009525	spacer	1		
56	0000022059	O seal ring	1	20x2.65	GB/T3452.1=ISO3601-1
57	9000009749	Bushing	1		
58	0000036001	Flat key	1	6x16	GB/T1096
59	0000026003	Retainer ring for axle	1	20	GB/T894.1
60	9000009521	Dust cover	1		
61	9000009528	Adjustng washer	1		
62	0000025066	Washer	1	14	GB/T856
63	9000009750	Brake	1		
64	0090000526	Bolt	3	M6x20	GB/T5782=ISO4014
65	0000023020	Screw	9	M6x20	GB/T70.1=ISO4762
66	9000006304	Steering carbon brush	1		
67	9000012078	Steering motor	1		
68	0090000119	Screw	8	M6x22	GB/T70.1=ISO4762
69	9000009828	Steering small gear	1		
70	0000026040	Retainer ring for axle	1	22	GB/T894.1
71	0090000118	Flat key	1	6x28	GB/T1096
72	0000023106	Screw	12	M6x30	GB/T70.1=ISO4762
73	9000017960	Screw	2		

Fig. 40 Handle lever

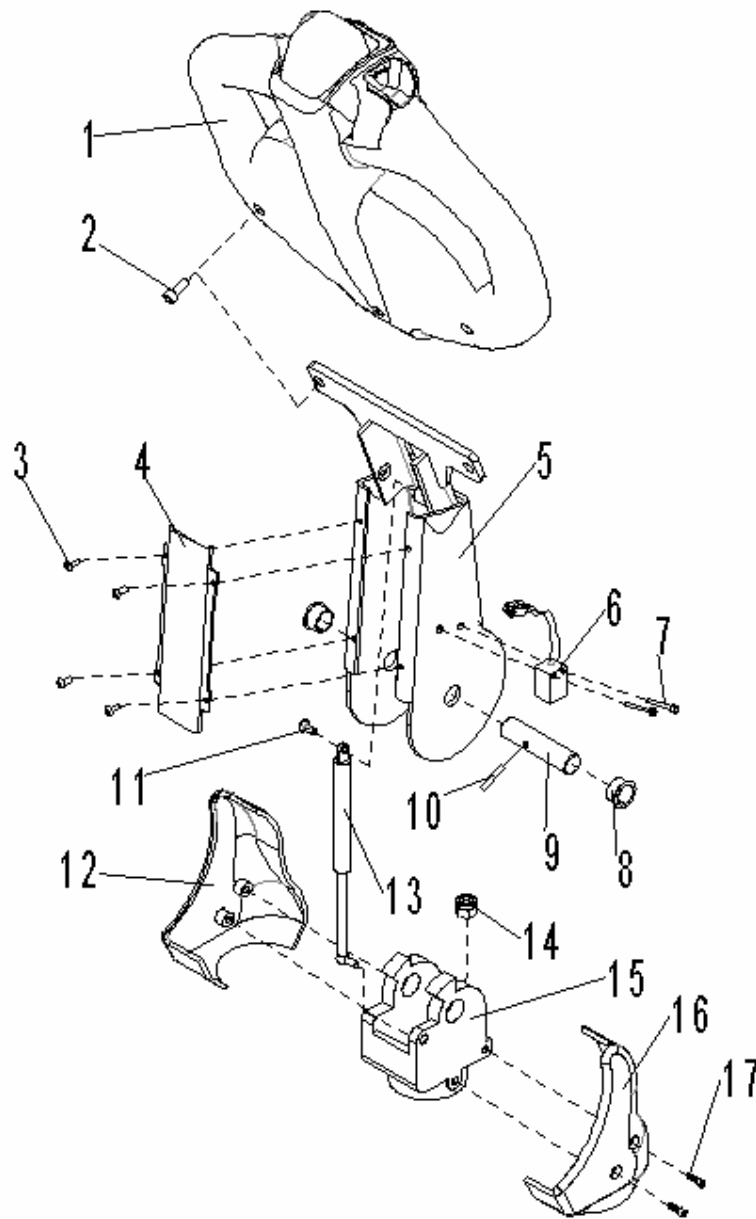


Fig. 40 Handle lever

No.	Parts No.	Item	Quantity	Note	Standard
1	1100100001	Canbus control tiller	1		
2	0000023232	Bolt	2	M8×25	GB/T5783=ISO4017
3	1000123003	Screw	4	M4×8	GB/T70.2=ISO7380
4	9000007926	Cover board	1		
5	9000007925	Welded tiller arm	1		
6	9000008327	Proximity switch	1		
7	0000023075	Screw	2	M3×20	GB/T70.1=ISO4762
8	1000113001	Shoulder harness	2	17×19×11	
9	9000007928	Tiller axle	1		
10	0000028003	Elastic roll pin	1	4×24	GB/T879.1=ISO8752
11	1000123001	Screw	1	M8×20	
12	9000007930	Left tiller cover	1		
13	1010121001	Air spring	1	400N S≥55	
14	0000023005	Lock nut	2	M10	GB/T889.1=ISO7040
15	9000007929	Tiller seat	1		
16	9000007931	Right tiller cover	1		
17	0000023519	Screw	4	M6×10	GB/T70.2=ISO7380

Fig. 41 CANBUS Handle head

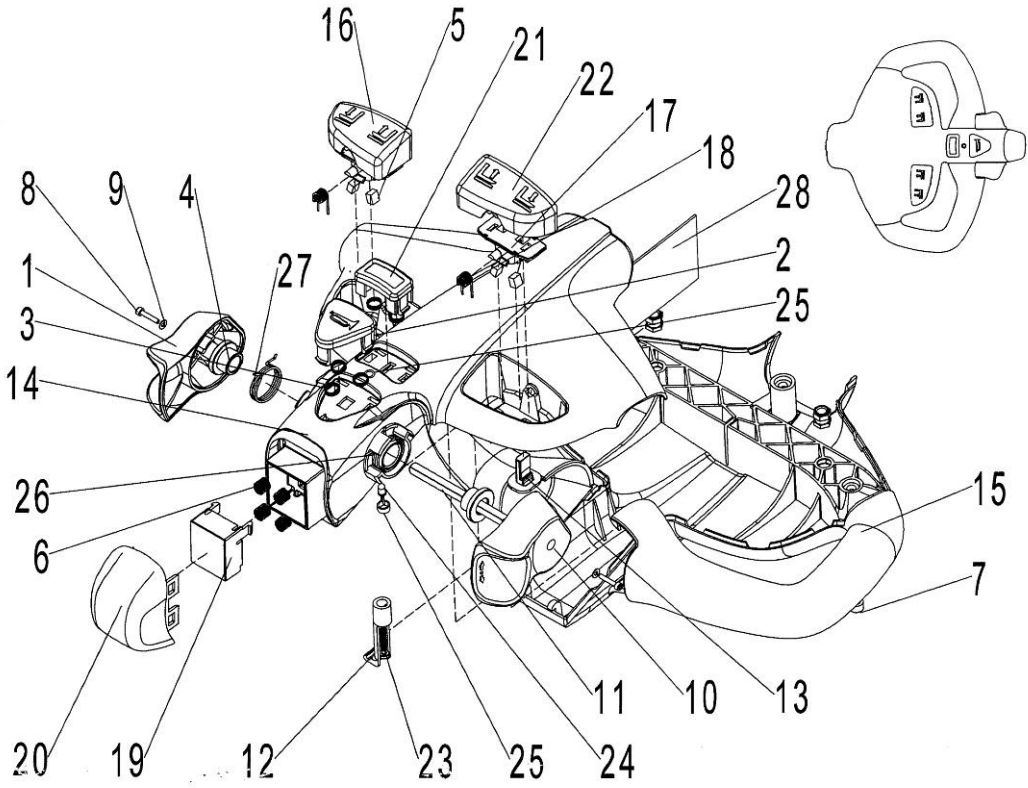


Fig. 41 CANBUS Handle head

No.	Parts No.	Item	Qty.	Note	Standard
1	1010114001	Left driving button	1		
2	1000114015	Horn button	1		
3	1000131009	Spring for horn button	5		
4	1000113004	Bushing for camshaft	2		
5	1000137001	Magnetic substance	4		
6	1000131010	Spring for urgent reversing button	4		
7	0000023058	Screw	3		GB/T70.1=ISO4762
8	0000023057	Screw	2		GB/T70.1=ISO4762
9	0000025017	Washer	2		GB/T95
10	1010114003	Right driving button	1		
11	1000107002	Shaft for driving button	1		
12	1000137002	Circlip for PCB board	1		
13	1000134005	Load censor	2		
14	1000103012	Upper part of handle	1		
15	1000103013	Under part of handle	1		
16	1000114017	Left button	1		
17	1000137003	Magnetic substance seat	2		
18	1000131011	Torsional spring	2		
19	1000114018	Seat for Spring for urgent reversing button	1		
20	1000114020	Cover for Spring for urgent reversing button	1		
21	1000114021	Cover for option switch	1		
22	1000114022	Right button	1		
23	0000023060	Screw	1		GB/T845=ISO7049
24	1000134006	LED bi-color light	1		
25	1000103014	Seat for LED bi-color light	1		
26	1000131012	Torsional spring for right driving button	1		
27	1000131013	Torsional spring for left driving button	1		
28	1100135001	PCB	1		

Fig. 42 High pressure pump station system (3.0KW 2.6 high pressure delivery capacity)

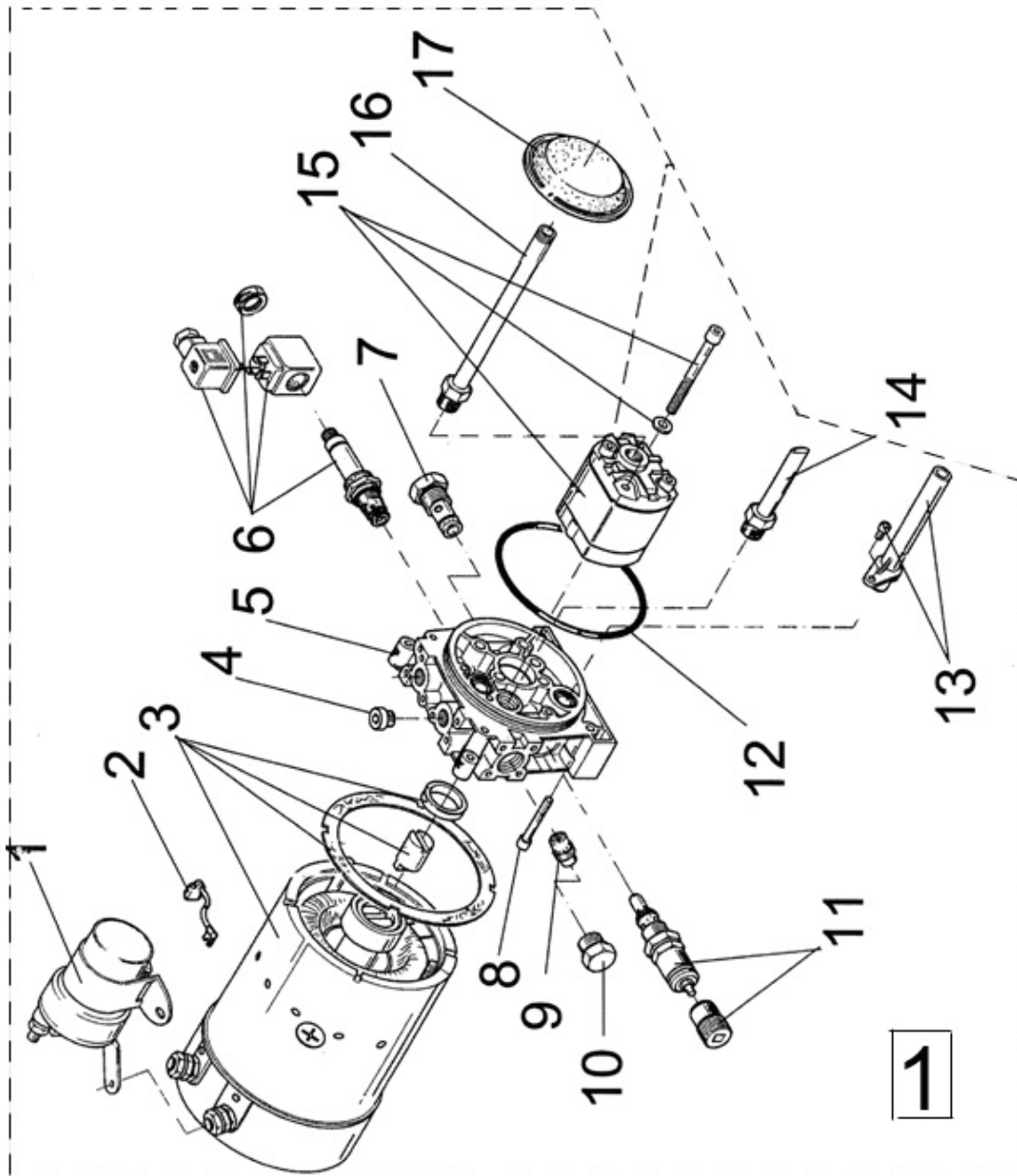


Fig. 42 High Pressure Pump Station System (3.0KW 2.6 High Pressure Delivery Capacity)

No.	Parts No.	Item	Qty.	Note
1	2040334001	Pump contactor	1	
2	9000003582	Carbon brush(assembly)	1	
3	9000003583	Motor	1	
4	2000323001	Plug	1	
5	2000300002	Valve body	1	
6	2000335003	Solenoid valve	1	
7	2000335004	Check valve	1	
8	2000323002	Screw	4	
9	9000008828	Flow control valve	1	9.5L/min
10	2000323003	Bolt	1	
11	2040315003	Overflow valve	1	
12	2000322004	O ring	1	
13	2000317008	Oil return pipe	1	
14	2040317008	Oil return pipe	1	
15	9000008829	Gear pump	1	
16	2040317009	Oil suction pipe	1	
17	2000300004	Filter	1	
1	9000008796	DC power unit	1	3.0KW 2.6 high pressure delivery capacity 9.5L check valve

Fig. 43 Pump station system (3.0KW 3.2 delivery capacity)

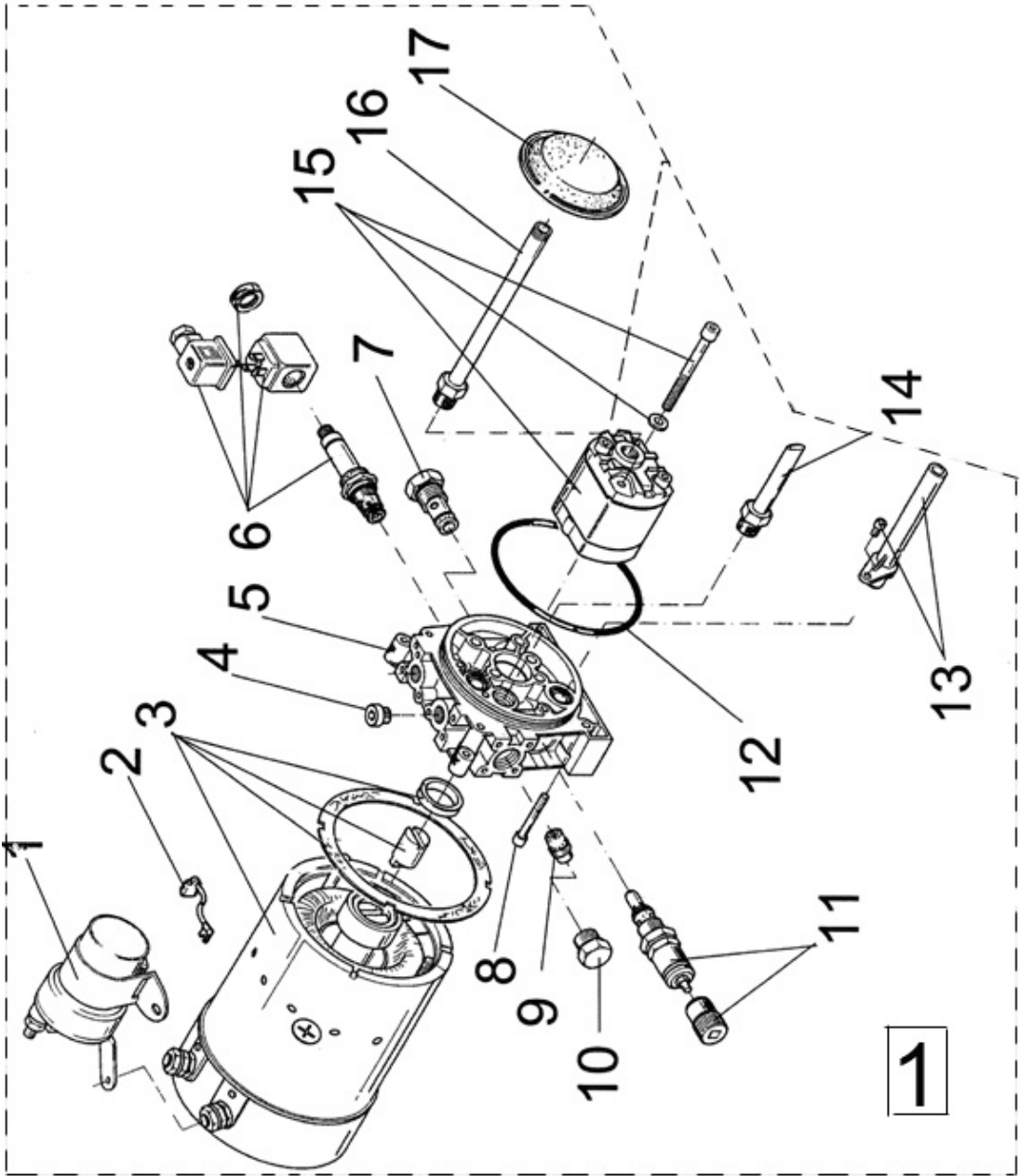


Fig. 43 Pump Station System (3.0KW 3.2 Delivery Capacity)

No.	Parts No.	Item	Qty.	Note
1	2040334001	Pump contactor	1	
2	9000003582	Carbon brush(assembly)	1	
3	9000003583	Motor	1	
4	2000323001	Plug	1	
5	2000300002	Valve body	1	
6	2000335003	Solenoid valve	1	
7	2000335004	Check valve	1	
8	2000323002	Screw	4	
9	9000008870	Flow control valve	1	7.5L/min
10	2000323003	Bolt	1	
11	2040315003	Overflow valve	1	
12	2000322004	O ring	1	
13	2000317008	Oil return pipe	1	
14	2040317008	Oil return pipe	1	
15	9000008874	Gear pump 3.2cc/r	1	
16	9000008873	Oil suction pipe	1	L=250.50mm
17	2000300004	Filter	1	
①	9000008867	DC power unit	1	Pump Station System 3.0Kw, 3.2 delivery capacity

Fig. 44 Pump station system (2.2KW 2.2 delivery capacity)

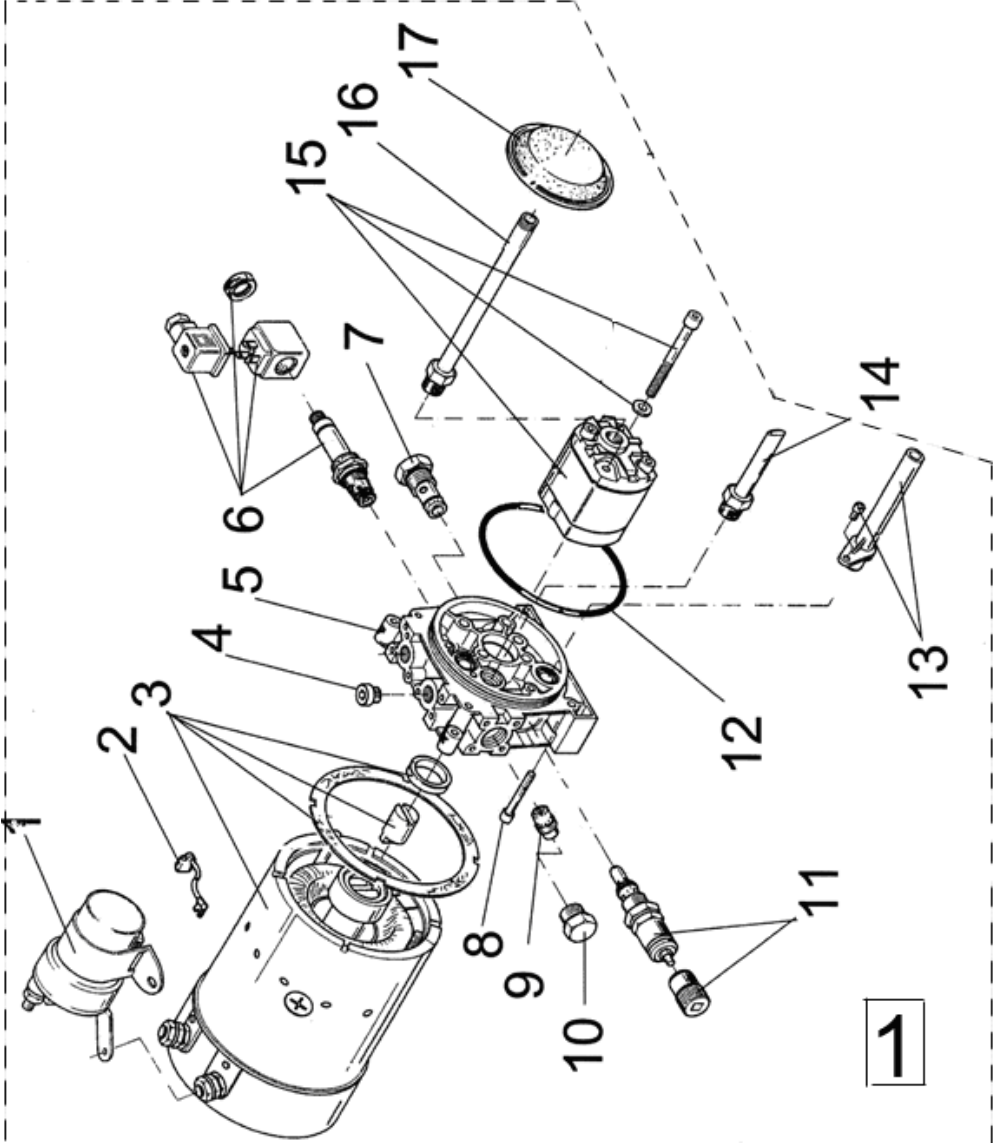


Fig. 44 Pump Station System (2.2KW 2.2 Delivery Capacity)

No.	Parts No.	Item	Qty.	Note
1	2000335001	Pump contactor	1	
2	2000335002	Carbon brush(assembly)	1	Iskra
3	2000334001	Motor	1	Iskra
4	2000323001	Plug	1	
5	2000300002	Valve body	1	
6	2000335003	Solenoid valve	1	
7	2000335004	Check valve	1	
8	2000323002	Screw	4	
9	2000335005	Flow control valve	1	
10	2000323003	Bolt	1	
11	2000335006	Overflow valve	1	
12	2000322004	O ring	1	
13	2000317008	Oil return pipe	1	
14	2000317009	Oil return pipe	1	
15	2000300003	Gear pump	1	
16	2000317010	Oil suction pipe	1	
17	2000300004	Filter	1	
①	2000300001	DC power unit	1	2.2kw 2.2 delivery capacity (Iskra motor)

Fig. 45 Main circuit wiring (Electrical steering)

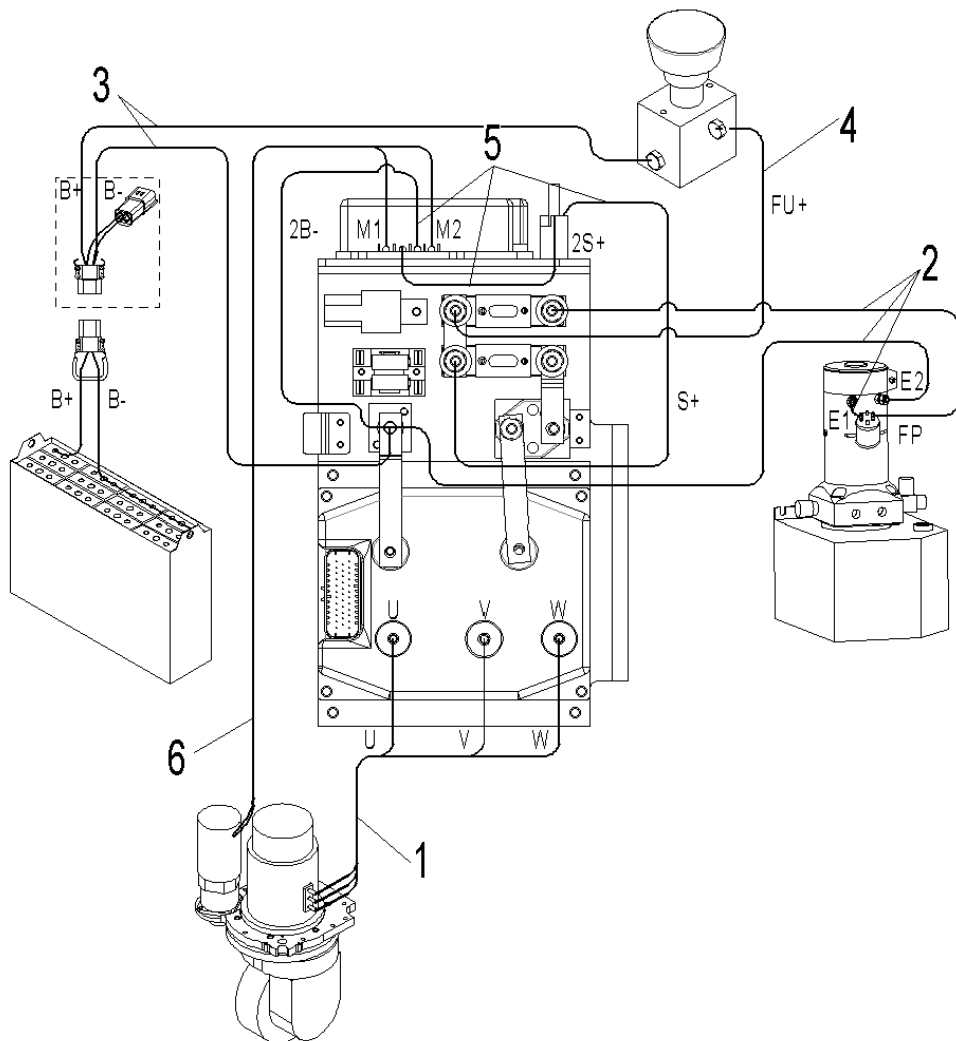


Fig. 45 Main Circuit Wiring (Electrical steering)

No.	Parts No.	Name	Qty.	Note
1	9000008444	Drive motor cable	1	
2	9000008361	Pump motor cable	1	
3	9000008362	Power supply cable	1	
4	9000008371	FU+ cable	1	
5	9000017598	Steering controller cable	1	
6	9000017599	Steering motor cable	1	

Fig. 46 Main circuit wiring (Manual steering)

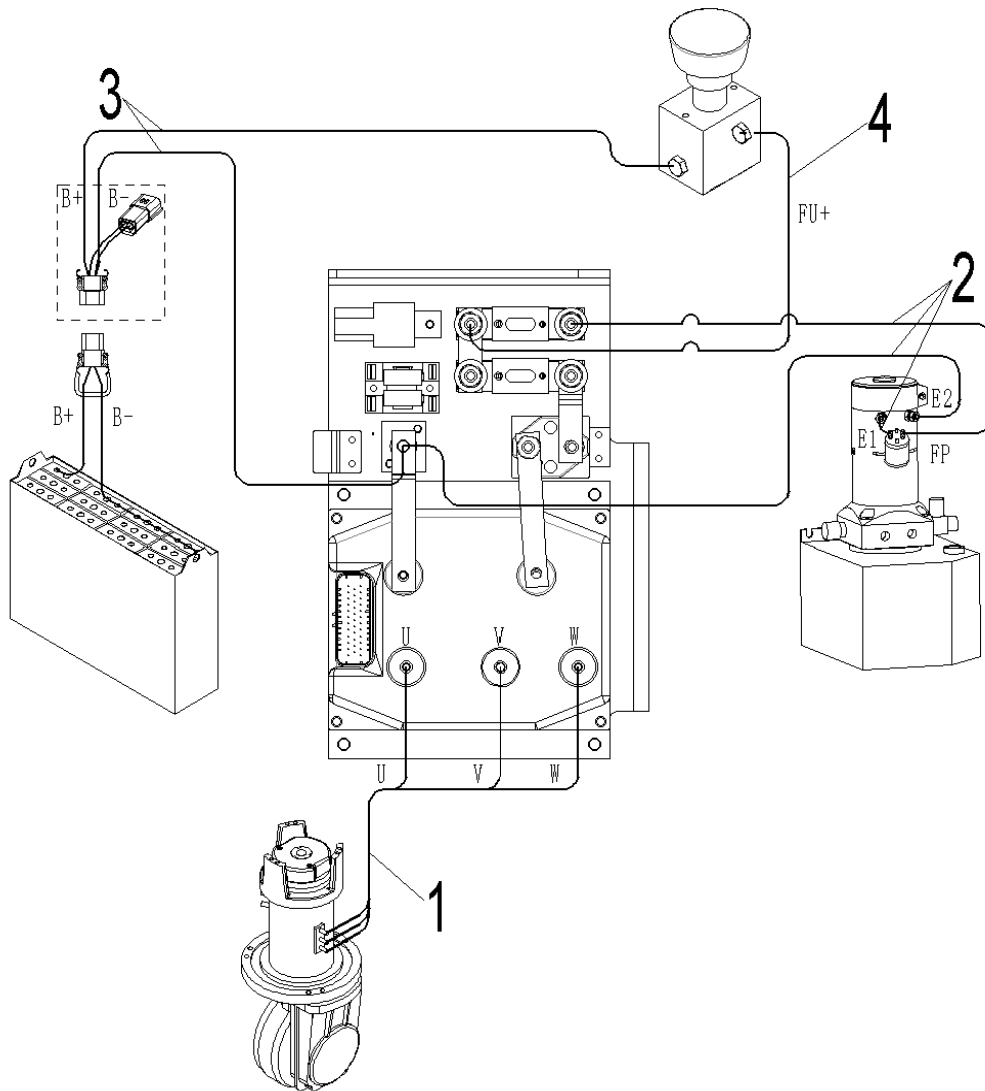


Fig. 46 Main Circuit Wiring (Manual steering)

No.	Parts No.	Name	Qty.	Note
1	9000008368	Drive motor cable	1	
2	9000008361	Pump motor cable	1	
3	9000008362	Power supply cable	1	
4	9000008371	FU+ cable	1	

Fig. 47 General electrical parts

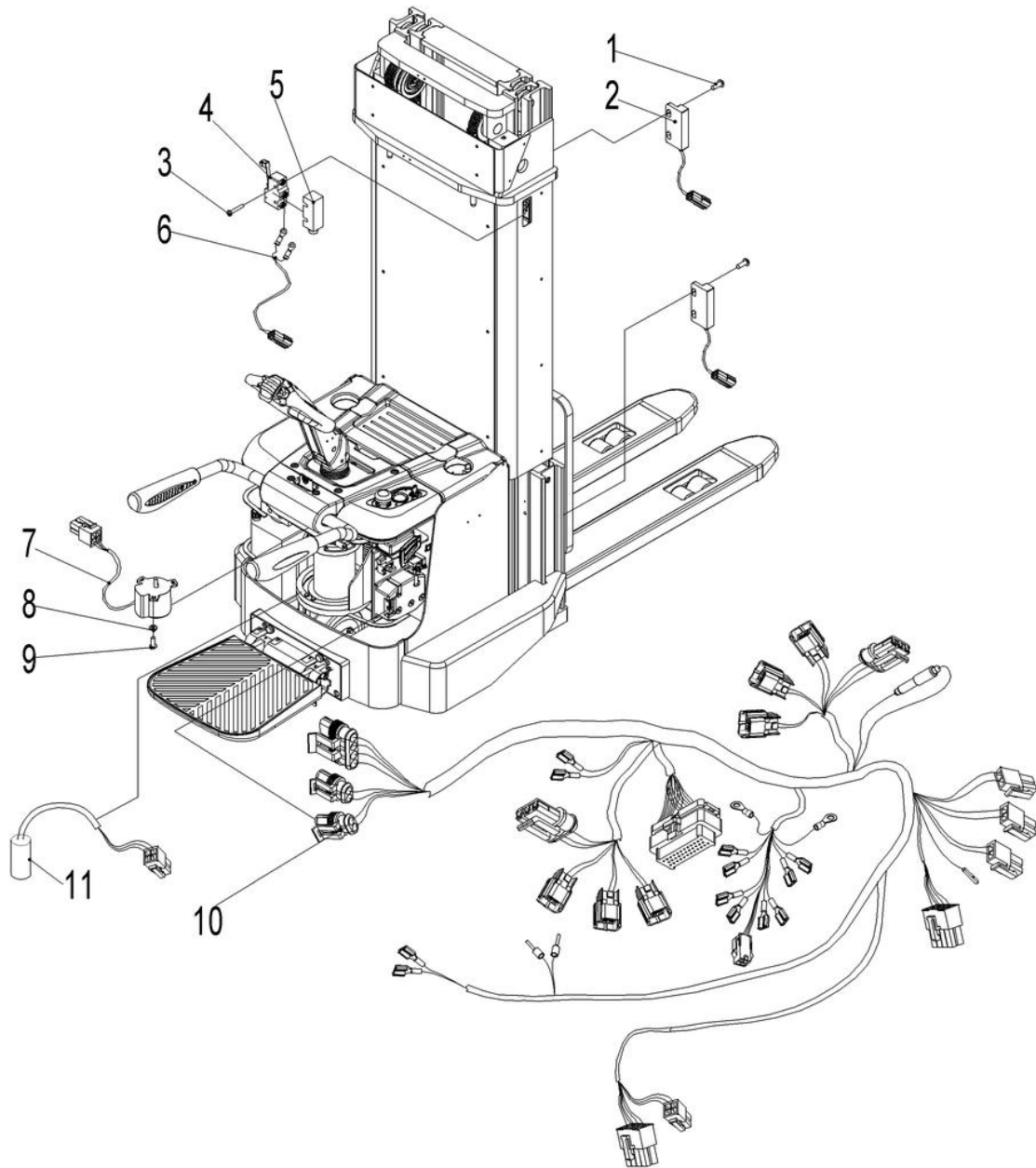


Fig. 47 General Electrical Parts

No.	Parts No.	Name	Qty.	Note	Standard
1	0000023083	Screw	4	M3×8	GB/T70.2=ISO7380
2	9000008332	Magnet switch	2	HWK23	
3	0000023033	Screw	2	M4×25	GB/T70.1=ISO4762
4	2040634001	Proximity switch	1	XZ-15GW22-B	
5	9000010040	Proximity switch protective cover AP-B	1		
6	9000008360	Limit control wiring harness	1		
7	9000000239	Tiller sensor BD-MS	1	CURTIS electronical steering	
8	0000025026	Washer 3	3		GB/T95
9	0000023216	Screw M3×8	3		GB/T818-2000=ISO7045
10	9000017596	Main control wiring harness	1	CURTIS electronical steering	
	9000008359			Manual steering	
	9000017934			proportional lifting, CURTIS electronical steering	
	9000010929			proportional lifting, Manual steering	
11	9000017964	Proximity switch	1	CURTIS electronical steering	

Fig. 48 Electric Control Assembly(Electrical steering)

No	Parts No.	Name	Qty.	Note	Standard
1	9000008069	Controller assemble plate	1		
2	9000000235	Controller	1	CURTIS1232E-2121	
3	9000016565	Controller	1	CURTIS1220-2201	
4	9000008376	Aluminium plate	1		
5	1020434002	Wiring terminal	1	BD-M8	
6	9000008586	Fuse seat	1	BD-2×10A-1	
7	1000434041	Relay	1	ACR01F-F 1C	
8	9000007679	Plug fixing plate	1		
9	1000434006	Traction motor contactor	1	C100/120	
10	9000008598	Main contactor assembly plate	1		
11	1020434003	Copper bar	1		
12	1000434007	Fuse seat	2	SY Y	
13	1020434001	Fuse	1	200A	
14	2210434004	Fuse	1	150A	
15	9000008374	Copper bar	1		
16	9000008373	Copper bar	1		
17	1000434040	Fuse	1	10A	
18	0090000082	Screw	2	M4×30	GB/T70.1=ISO4762
19	0000025018	Washer	12	4	GB/T93
20	0000025019	Washer	12	4	GB/T95
21	0000023073	Screw	2	M4×10	GB/T70.1=ISO4762
22	0000023019	Screw	2	M4×30	GB/T818-2000=ISO704 5
23	0000023307	Screw	4	M4×10	GB/T818-2000=ISO704 5
24	0000023211	Screw	4	M4×16	GB/T818-2000=ISO704 5
25	0000025010	Washer	9	6	GB/T93
26	0000023055	Washer	9	6	GB/T95

27	0000023478	Screw	5	M6×12	GB/T70.1=ISO4762
28	0000023923	Screw	4	M6×18	GB/T70.1=ISO4762
29	0000025001	Washer	12	8	GB/T93
30	0000025011	Washer	11	8	GB/T95
31	0000024086	Nut	12	M8	GB/T6170=ISO4032
32	0000023067	Screw	4	M8×16	GB/T70.1=ISO4762
33	0000023516	Screw	1	M5×10	GB/T818-2000=ISO704 5
34	0000025015	Washer	1	5	GB/T93
35	0000025014	Washer	1	5	GB/T95
36	9000008356	Controller	1		
37	9000008372	Copper bar	1		
38	1000434015	Horn	1	DC24V	
39	0000023727	Screw	2	M4×6	GB/T818-2000=ISO704 5
40	9000009791	Attachment plate	1		
41	1000204002	AMP plug seat	4		
42	1010404005	Plug fixing frame	2		
43	9000008882	Plug fixing frame	2		
44	0000023307	Screw	8	M4×10	GB/T818=ISO7045
45	9000012097	Plug mounting plate	1		

Fig. 49 Electric control assembly (Manual steering)

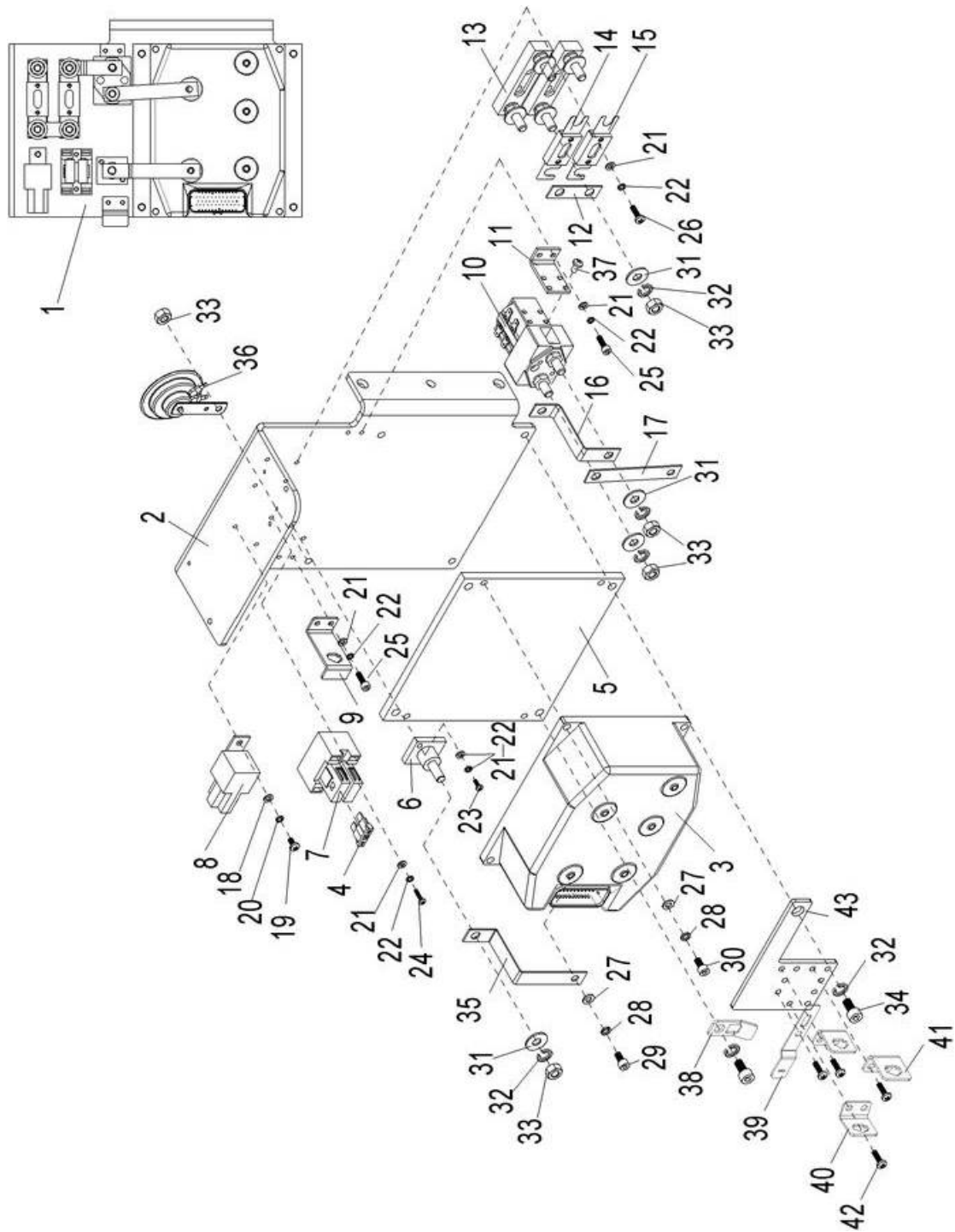


Fig. 49 Electric Control Assembly(Manual steering)

No.	Parts No.	Name	Qty.	Note	Standard
1	9000008375	Controller	1		
2	9000008069	Controller assembly plate	1		
3	9000000235	Controller	1	CURTIS1232 E-2121	
4	1000434040	Fuse	1	10A	
5	9000008376	Aluminium plate	1		
6	1020434002	Wiring terminal	1	BD-M8	
7	9000008586	Fuse seat	1	BD-2×10A-1	
8	1000434041	Relay	1	ACR01F-F 1C DC24V	
9	9000007679	Plug fixing plate	1		
10	1000434006	Traction motor contactor	1	C100/120 DC24V	
11	9000008598	Main contactor assemble plate	1		
12	1020434003	Copper bar	1		
13	1000434007	Fuse seat	2	SY Y	
14	1020434001	Fuse	1	200A	
15	2210434004	Fuse	1	150A	
16	9000008374	Copper bar	1		
17	9000008373	Copper bar	1		
18	0000025014	Washer	1	5	GB/T95
19	0000023516	Screw	1	M5×10	GB/T818-2000=ISO 7045
20	0000025015	Washer	1	5	GB/T93
21	0000025018	Washer	12	4	GB/T93
22	0000025019	Washer	12	4	GB/T95
23	0000023073	Screw	2	M4×10	GB/T70.1=ISO4762
24	0000023019	Screw	2	M4×30	GB/T818-2000=ISO 7045
25	0000023307	Screw	4	M4×10	GB/T818-2000=ISO 7045
26	0000023211	Screw	4	M4×16	GB/T818-2000=ISO 7045
27	0000025010	Washer	9	6	GB/T93
28	0000023055	Washer	9	6	GB/T95
29	0000023478	Screw	5	M6×12	GB/T70.1=ISO4762

30	0000023923	Screw	4	M6×18	GB/T70.1=ISO4762
31	0000025001	Washer	12	8	GB/T93
32	0000025011	Washer	11	8	GB/T95
33	0000024086	Nut	12	M8	GB/T6170=ISO4032
34	0000023067	Screw	4	M8×16	GB/T70.1=ISO4762
35	9000008372	Copper bar	1		
36	1000434015	Horn	1	DC24V	
37	0000023727	Screw	2	M4×6	GB/T818-2000=ISO 7045
38	9000009791	Attachment plate	1		
39	1000204002	AMP plug seat	4		
40	1010404005	Plug fixing frame	2		
41	9000008882	Plug fixing frame	2		
42	0000023307	Screw	8	M4×10	GB/T818=ISO7045
43	9000012097	Plug mounting plate	1		

Fig. 50 Foldable platform

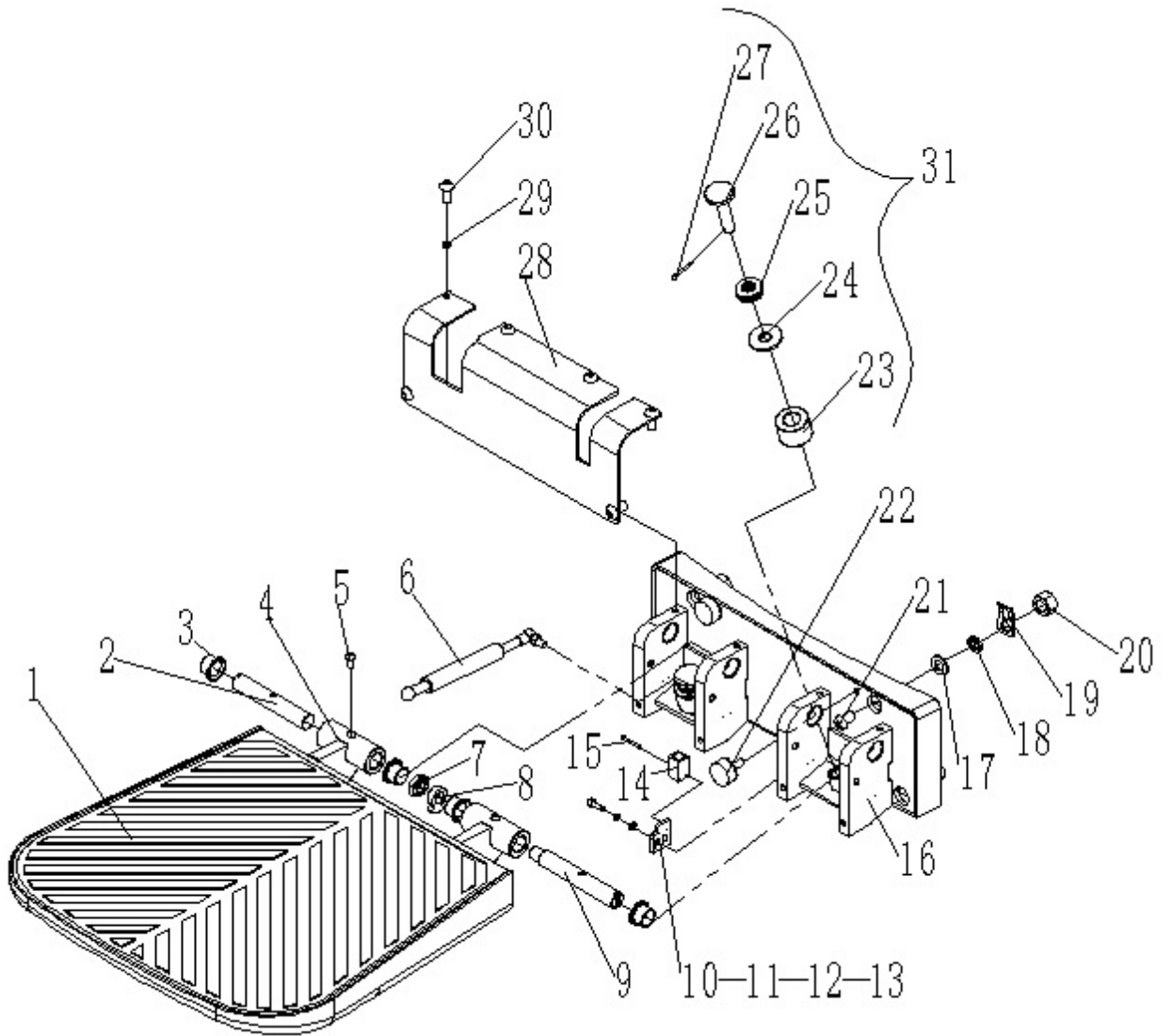


Fig. 50 Foot Pedal Assembly

No.	Art No.	Description	Qty.	Note	Standard
1	9000007867	Pedal pad	1		
2	9000007869	Rotating shaft	1		
3	9000007799	Shoulder harness	4	20×23×16.5	
4	9000007863	Welded foot platform	1		
5	0000023555	Screw	2	M6×16	GB/T70.2=ISO7380
6	2000421001	Air spring	1		
7	0000024014	Nut	1	M16×1.5	GB/T6173=ISO8675
8	9000007873	Cam	1		
9	9000007866	Cam shaft	1		
10	0000025012	Washer	2	5	GB/T93
11	0000023032	Washer	2	5	GB/T95
12	0000023107	Screw	2	M5×16	GB/T70.1=ISO4762
13	9000009799	Switch transition plate	1		
14	9000008328	Proximity switch	1	NBN5-F7-E2	
15	0000023075	Screw	2	M3×20	GB/T70.1=ISO4762
16	9000007864	Welded assemble seat	1		
17	0090000048	Washer	4	12	GB/T97.1-2002
18	0000025024	Washer	4	12	GB/T93
19	9000007874	Line hanging board	1		
20	0000024006	Lock nut	4	M12	GB/T889.1=ISO7040
21	0090000450	Screw	4	M12×45	GB/T70.2=ISO7380
22	9000007865	Cushion	2		
23	9000007872	Anti-vibration pad	2		
24	9000007871	Anti-vibration washer	2		
25	0000031001	Spring	8	16.3×31.5×1.75	GB/T1972-2005
26	9000007870	Fixed bolt	2		
27	0000028033	Split pin	2	3.2×20	GB/T91=ISO1234
28	9000007868	Assemble seat cover	1		
29	0000025010	Washer	6	6	GB/T93
30	0000023045	Screw	6	M6×12	GB/T70.2=ISO7380
31	9000008897	Suspension components	2		

Fig. 51 Protective arm

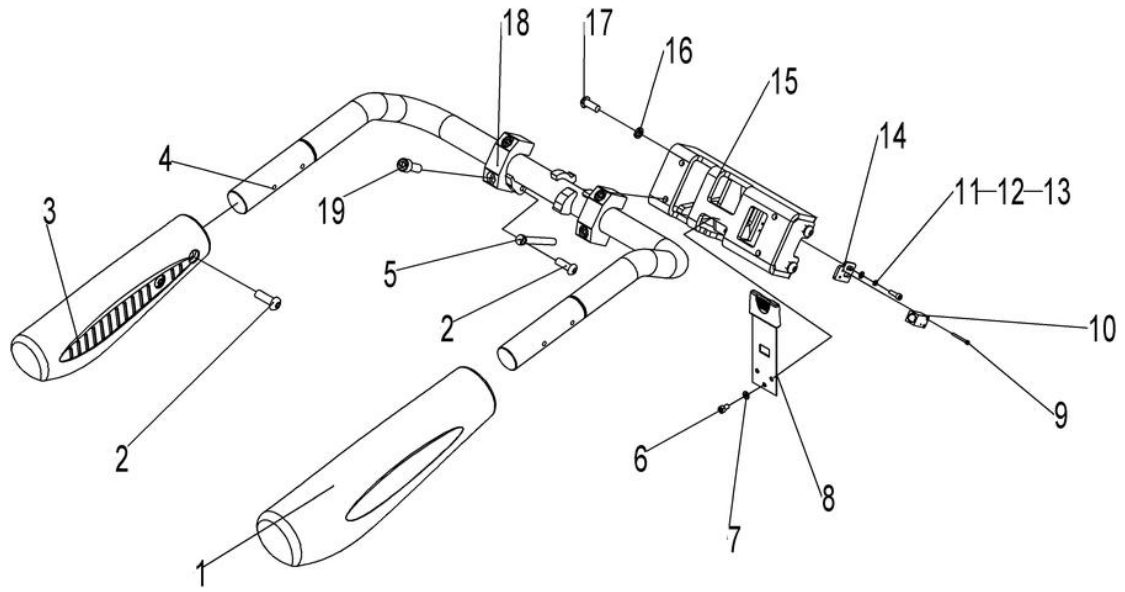


Fig. 51 Protective Arm

No.	Art No.	Description	Qty.	Note	Standard
1	9000007895	Right protective arm cover	1		
2	0090000448	Screw	5	M8×20	GB/T70.2=ISO7380
3	9000007896	Left protective arm cover	1		
4	9000007894	Welded protective arm	1		
5	9000007780	Air spring	1		
6	0000023045	Screw	3	M6×12	GB/T70.2=ISO7380
7	0000025010	Washer	3	6	GB/T93
8	9000007897	Positioning spring	1		
9	0000023075	Screw	2	M3×20	GB/T70.1=ISO4762
10	9000008329	Proximity switch	1	NBN5-F7-E2	
11	0000025012	Washer	2	5	GB/T93
12	0000023032	Washer	2	5	GB/T95
13	0000023107	Screw	2	M5×16	GB/T70.1=ISO4762
14	9000009799	Switch transition plate	1		
15	9000007892	Welded protective arm seat	1		
16	0000023006	Washer	4	10	GB/T93
17	0090000447	Screw	4	M10×25	GB/T70.2=ISO7380
18	9000007893	Protective arm clamp block	2		
19	0000023099	Screw	4	M10×45	GB/T70.1=ISO4762

Fig. 52 Backrest (Normal)

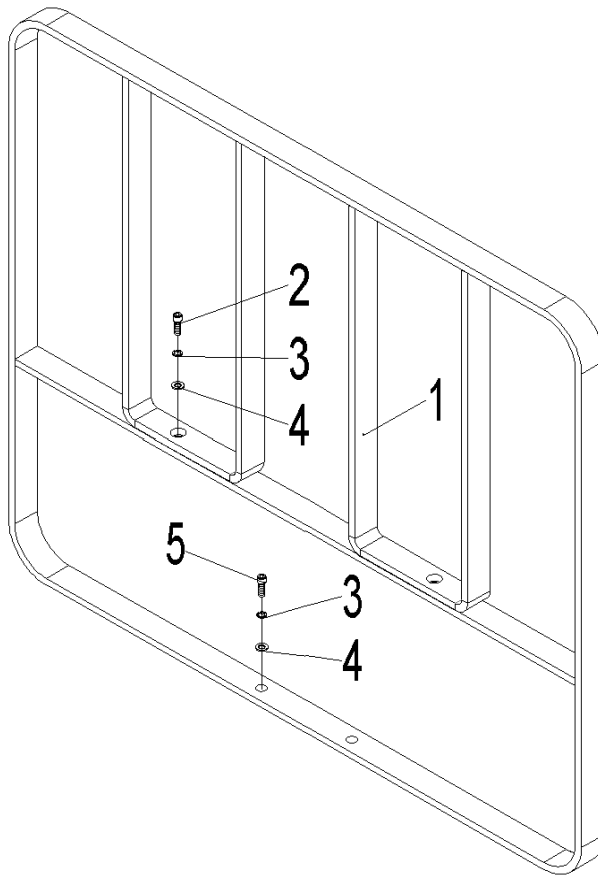


Fig. 52 Backrest

No.	Parts No.	Name	Qty.	Note	Standard
1	9000008259	Backrest frame welding	1		
2	0000023088	Screw	2	M10×25	GB/T70.1=ISO4762
3	0000025002	Washer	4	10	GB/T95
4	0000023006	Standard spring washer	4	10	GB/T93
5	0000023029	Screw	2	M10×35	GB/T70.1=ISO4762

Fig. 53 Backrest (Straddle Leg)

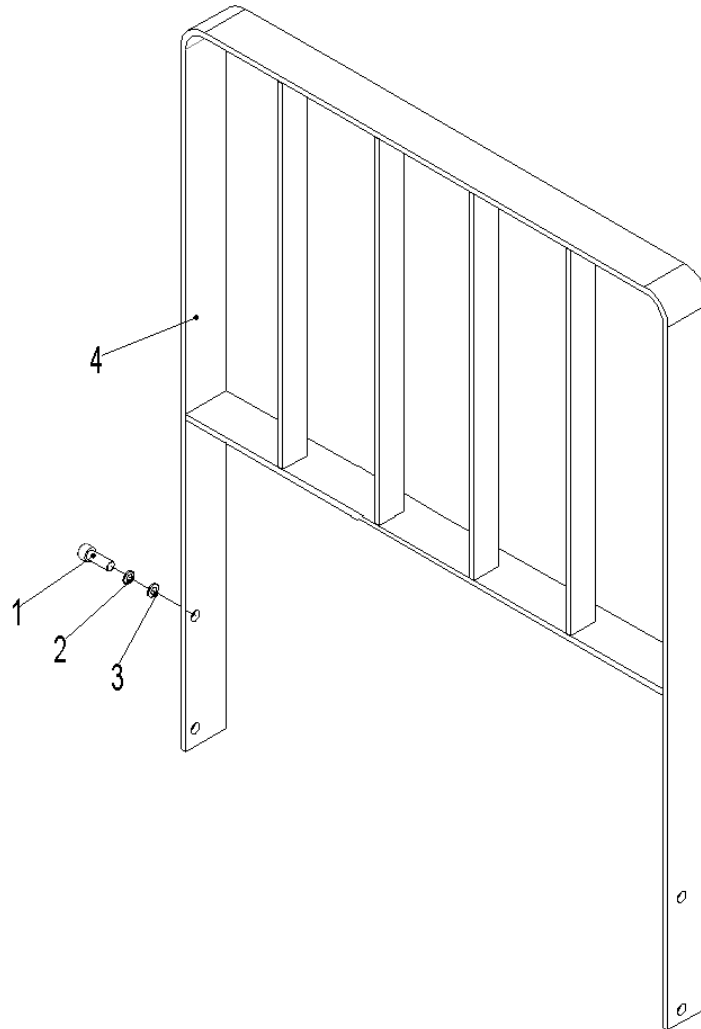


Fig. 53 Backrest (Straddle Leg)

No.	Parts No.	Name	Qty.	Note	Standard
1	0000023156	Screw	4		GB/T70.1=ISO4762
2	0000025032	Washer	4	12	GB/T93
3	0000025024	Washer	4	12	GB/T95
4	9000009068	Backrest frame welding	1		

Easy worn parts list

No.	Art No.	Description	Qty.	Fig./Position	Note
1	2220511001	Compound roller 1	4	Fig.6/1 Fig.7/1	Chassis
2	2330511001			Fig.7/2	
3	2040511001	Compound roller 1	8	Fig.18/4	Mast system
			2	Fig.19/11 Fig.20/11	
4	2220611001		2	Fig.19/3 Fig.20/3	
5	9000003638	Castor	2	Fig.12/13	Steering wheel
6	9000007806	Damper	1	Fig.37/7	Electric steerig
7	9000010398	Load wheel set	2	Fig.13/7	Load wheel
8	1010121001	Air spring (S≥55)	1	Fig.40/13	Tiller
9	900000358	Carbon brush	1	Fig.42/2	Pump
10	1020434001	Fuse 200A	1	Fig.48/14	Electric Control
11	2210434004	Fuse 150A	1	Fig.48/15	
12	1000434040	Fuse 10A	1	Fig.48/18	
13	3042434014	Fuse 15A	1	Fig.48/19	
14	9000007799	Shoulder harness	4	Fig.50/3	Foot pedal
15	2000421001	Air spring (S≥70)	1	Fig.50/6	
16	9000008897	Suspension components	2	Fig.50/31	
17	9000007780	Air spring (S≥36)	1	Fig.51/5	Protective arm
18	9000003636	Outer cylinder seal kit	2	Fig.31/1	Three-stage mast Full Free Lift / Straddle Leg
19	9000003637	Middle cylinder seal kit	1	Fig.32/1	
20	9000009943	Cylinder	1	Fig.33/1	Two-stage mast Normal / Straddle Leg
21	9000009944	Cylinder	2	Fig.34/1	Two-stage mast Full Free Lift
22	9000010408	Castor complete	2	Fig.8/1	Chassis system
				Fig.9/1	
				Fig.10/1	
				Fig.11/1	